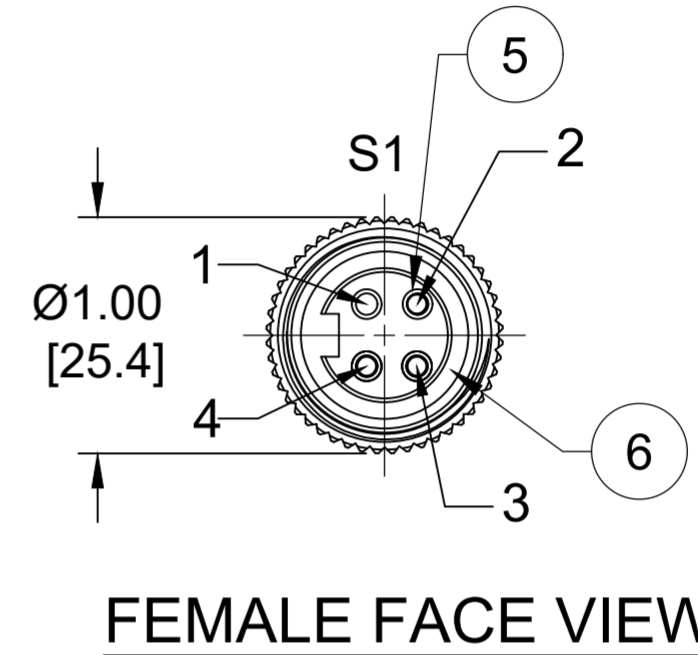
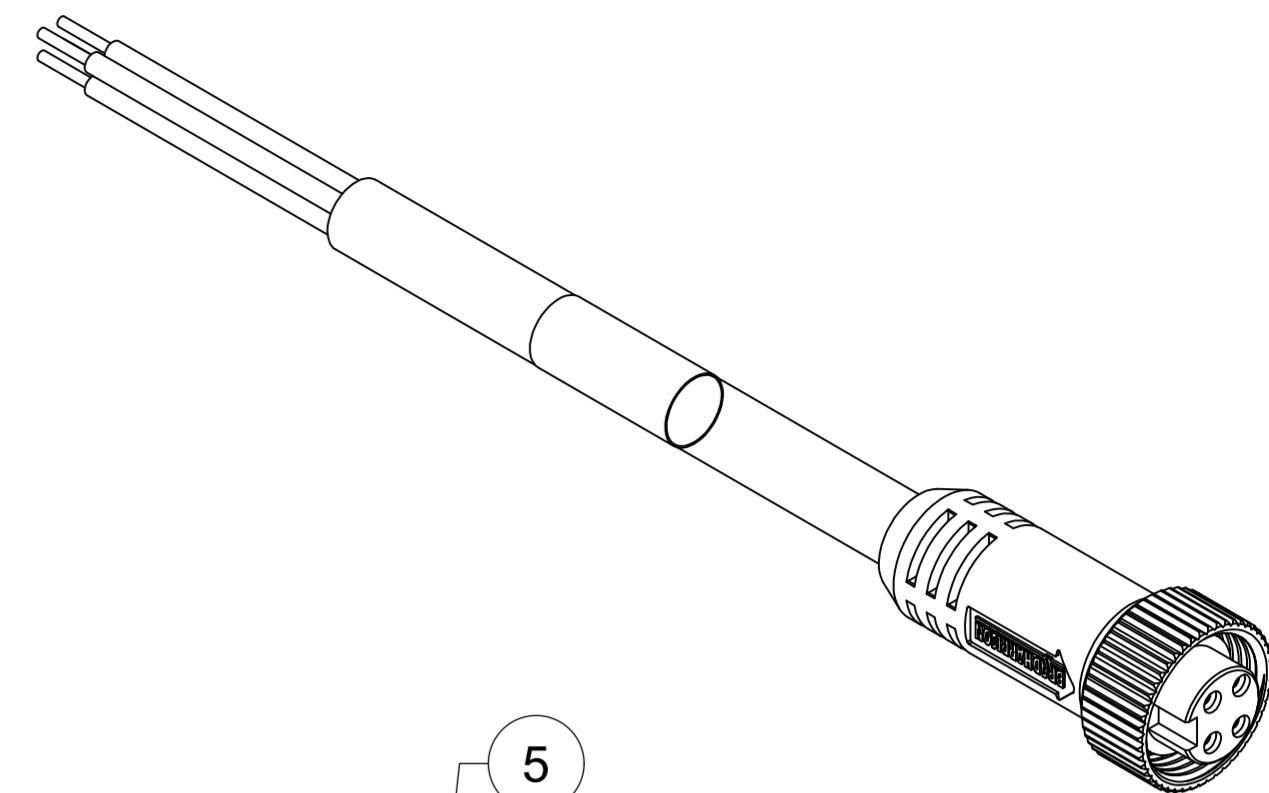
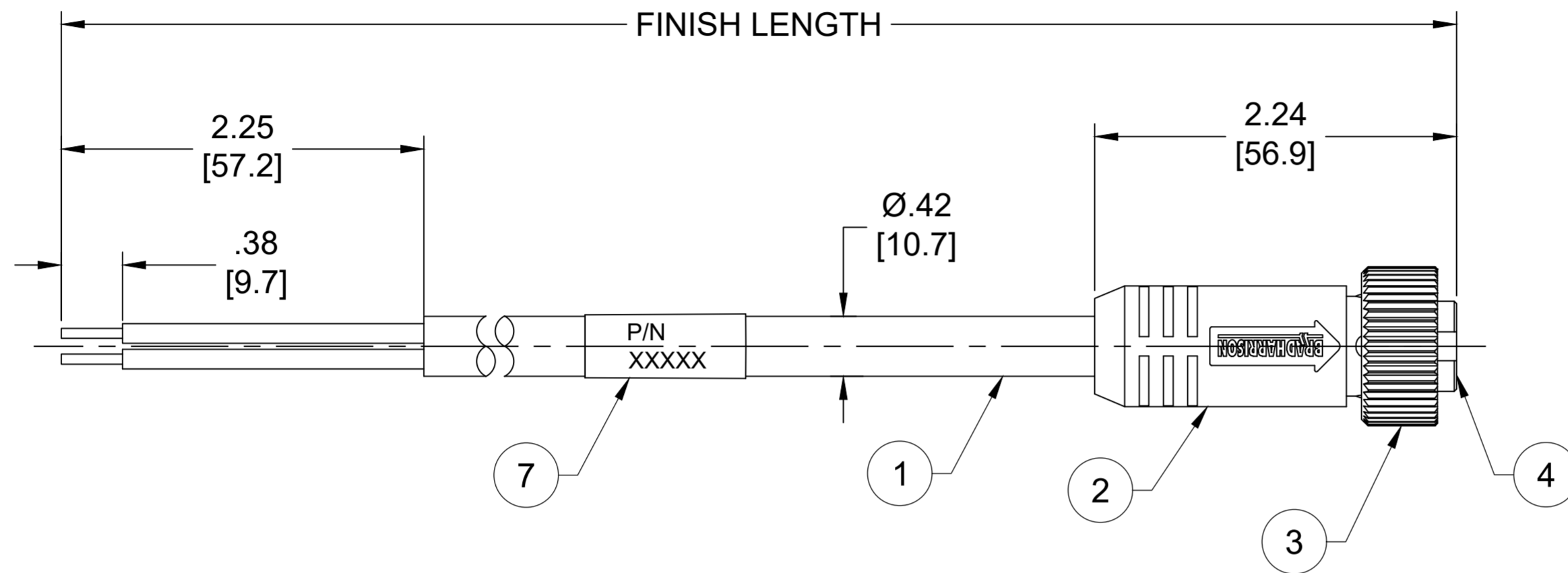


PART NO.	ENGINEERING NO.	FINISHED LENGTH
1300060726	104000A01F0301	3FT [0.9M]
1300060752	104000A01F3001	30FT [9.1M]
1300062412	104000A01M3051	30.5M [100FT]



FEMALE FACE VIEW

NOTES:

- MATERIAL: AS NOTED
- FINISH: AS NOTED
- ELECTRICAL:  
VOLTAGE : 483V PER IEC 60664  
600V PER UL 2238  
CURRENT: 10A
- TEMP RATING: -20° TO +105°C
- PROTECTION: IP67 (WHEN MATED)
- COUPLING THREAD: 7/8"-16UN
- UL RECOGNIZED FILE: E152210  
CSA CERTIFIED FILE: LR6837
- ALL DIMENSIONS ARE FOR REFERENCE UNLESS TOLERANCED OR NOTED OTHERWISE

PART NUMBER LEGEND

104000A01F0301

CABLE LENGTH  
F050 = 5 FEET  
F100 = 10 FEET  
F500 = 50 FEET

M005 = 0.5 METER  
M010 = 1 METER  
M100 = 10 METER

Color	S1
BLACK	1
WHITE	2
RED	3
GREEN/YELLOW-GND	4

WIRING DIAGRAM

CABLE LENGTH TOLERANCES

<.3M [1FT]:	+19mm-0 [ +.75in-0]
.3 - .9M [1 - 3FT]:	+44.5mm-0 [+1.75in-0]
.9 - 1.8M [3 - 6FT]:	+55.6mm-0 [+2.19in-0]
1.8 - 3.7M [6 - 12FT]:	+88.9mm-0 [+3.50in-0]
3.7 - 7.3M [12 - 24FT]:	+165.1mm-0 [+6.50in-0]
7.3-14.6M [24 - 48FT]:	+317.5mm-0 [+12.50in-0]
14.6 - 30.5M [48-100FT]:	+622.3mm-0 [+24.50in-0]
OVER 30M [100FT]	+2% OF FINISHED LENGTH

ITEM	COMPONENT	MATERIAL	FINISH
7	WRAP LABEL	VINYL	BLACK/YELLOW
6	FRICION RING	NYLON	WHITE
5	CONTACT SOCKET	COPPER ALLOY	GOLD OVER NICKEL
4	INSERT	TPE	YELLOW
3	COUPLING NUT	STAINLESS STEEL	PASSIVATED
2	OVERMOLD	TPE	YELLOW
1	CABLE, 16 AWG STOOW/ST	PVC	YELLOW

THIS DRAWING CONTAINS INFORMATION THAT IS PROPRIETARY TO MOLEX ELECTRONIC TECHNOLOGIES, LLC AND SHOULD NOT BE USED WITHOUT WRITTEN PERMISSION

FUNCTIONAL SYMBOLS	DIMENSION UNITS	SCALE	CURRENT REV DESC: ITEM# 2 & 4 WERE PVC. ITEM #7 WAS PLASTIC FILM. ADDED ITEM #6, IEC VOLTAGE, PN MATRIX & TOL CHART. MODIFIED PN CHART.																															
$\nabla_A=0$	INCH/MM	NTS																																
$\nabla_C=0$	GENERAL TOLERANCES (UNLESS SPECIFIED)																																	
$\nabla_P=0$	<table border="1"> <thead> <tr> <th></th> <th>mm</th> <th>INCH</th> </tr> </thead> <tbody> <tr> <td>4 PLACES</td> <td>±----</td> <td>±----</td> </tr> <tr> <td>3 PLACES</td> <td>±----</td> <td>±----</td> </tr> <tr> <td>2 PLACES</td> <td>±----</td> <td>±----</td> </tr> <tr> <td>1 PLACE</td> <td>±----</td> <td>±----</td> </tr> <tr> <td>0 PLACES</td> <td>±----</td> <td>±----</td> </tr> </tbody> </table>					mm	INCH	4 PLACES	±----	±----	3 PLACES	±----	±----	2 PLACES	±----	±----	1 PLACE	±----	±----	0 PLACES	±----	±----												
	mm	INCH																																
4 PLACES	±----	±----																																
3 PLACES	±----	±----																																
2 PLACES	±----	±----																																
1 PLACE	±----	±----																																
0 PLACES	±----	±----																																
DIVISIONAL SYMBOLS	<table border="1"> <tbody> <tr> <td>EC NO:</td> <td>698916</td> <td>DRWN:</td> <td>ABENJAMINLW</td> <td>2021/05/20</td> </tr> <tr> <td>CHK'D:</td> <td>RSTONE</td> <td>2022/03/09</td> <td colspan="2"></td> </tr> <tr> <td>APPR:</td> <td>BWOODMAN</td> <td>2022/03/11</td> <td colspan="2"></td> </tr> <tr> <td>INITIAL REVISION:</td> <td colspan="4"></td> </tr> <tr> <td>DRWN:</td> <td>BWOODMAN</td> <td>2009/12/28</td> <td colspan="2"></td> </tr> <tr> <td>APPR:</td> <td>JFMURPHY</td> <td>2010/01/05</td> <td colspan="2"></td> </tr> </tbody> </table>				EC NO:	698916	DRWN:	ABENJAMINLW	2021/05/20	CHK'D:	RSTONE	2022/03/09			APPR:	BWOODMAN	2022/03/11			INITIAL REVISION:					DRWN:	BWOODMAN	2009/12/28			APPR:	JFMURPHY	2010/01/05		
EC NO:	698916	DRWN:	ABENJAMINLW	2021/05/20																														
CHK'D:	RSTONE	2022/03/09																																
APPR:	BWOODMAN	2022/03/11																																
INITIAL REVISION:																																		
DRWN:	BWOODMAN	2009/12/28																																
APPR:	JFMURPHY	2010/01/05																																
ANGULAR TOL ± --- °		THIRD ANGLE PROJECTION		DRAWING																														
DRAFT WHERE APPLICABLE MUST REMAIN WITHIN DIMENSIONS		C-SIZE		SHEET NUMBER																														
		SERIES		MATERIAL NUMBER																														
		130006		CUSTOMER																														
		SEE CHART		GENERAL MARKET																														
		DOCUMENT NUMBER		DOC TYPE/DOC PART/REVISION																														
		SD-130006-025		PSD 001 B																														
		SHEET NUMBER		1 OF 1																														