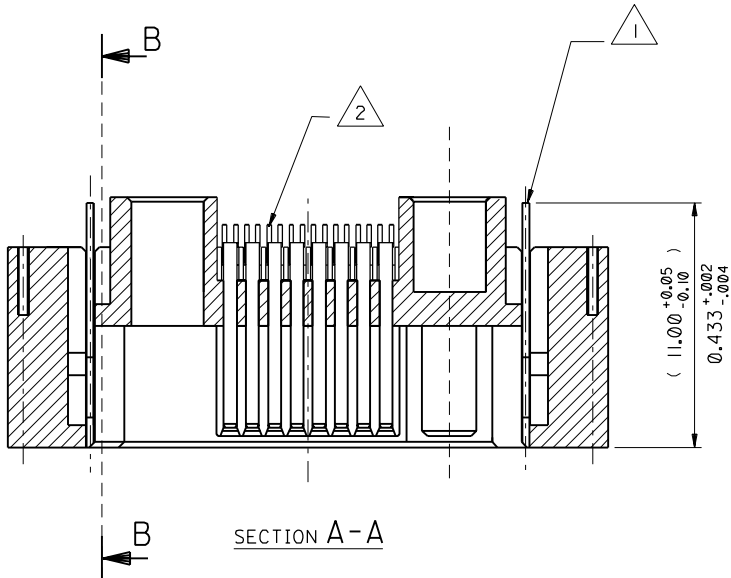
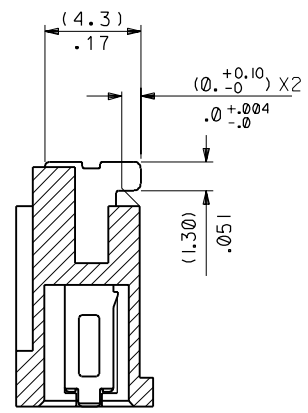


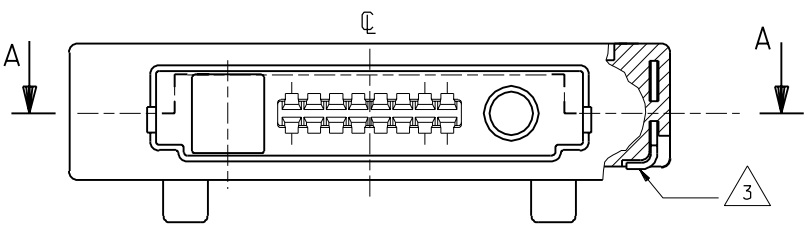
PART NO. **90811-0105**  
 DWG. NO. **SDA-90811-0105**



SECTION A-A



SECTION B-B



FOR MISSING DIMENSIONS SEE DRAWING SDA-90811-0109

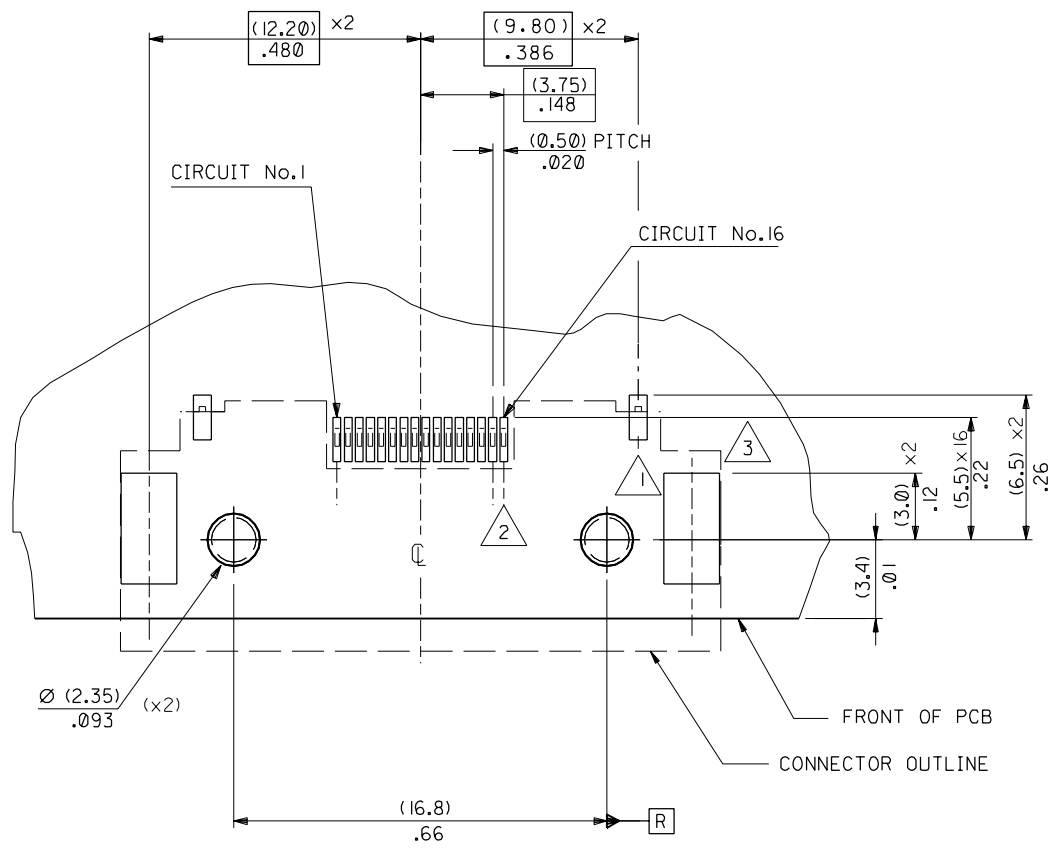
2	A
1	A
SH.	REV.

FOR PREVIOUS DRAWING ISSUES SEE MRI.

ORIGINAL RELEASE ECN E50434 95.03.29 HDU	DIMENSIONS SHOWN ( METRIC ) INCH UNLESS OTHERWISE SPECIFIED TOLERANCES: ANGULAR ± 1/2°	DRWG BY <b>HDU</b>												
A	<table border="1"> <tr> <th></th> <th>INCH</th> <th>( METRIC )</th> </tr> <tr> <td>3 PLACE</td> <td>± .002</td> <td></td> </tr> <tr> <td>2 PLACE</td> <td>± .004</td> <td>± 0.05</td> </tr> <tr> <td>1 PLACE</td> <td></td> <td>± 0.10</td> </tr> </table>		INCH	( METRIC )	3 PLACE	± .002		2 PLACE	± .004	± 0.05	1 PLACE		± 0.10	CHK'D BY
		INCH	( METRIC )											
3 PLACE	± .002													
2 PLACE	± .004	± 0.05												
1 PLACE		± 0.10												
LTR	DRAFT WHERE APPLICABLE MUST REMAIN WITHIN DIMENSIONS	APP'D BY												
	DESIGN DIMENSION (PRIMARY) <input checked="" type="checkbox"/> (MM) <input type="checkbox"/> IN.	SCALE												
	EQUIVALENT DIMENSION (SECONDARY) <input type="checkbox"/> (MM) <input checked="" type="checkbox"/> IN.	5:1												

REVISE ONLY ON CAD SYSTEM		THIS DRAWING CONTAINS INFORMATION THAT IS PROPRIETARY TO MOLEX INC. & SHOULD NOT BE USED WITHOUT WRITTEN PERMISSION	
TITLE <b>I/O CONNECTOR FOR MOBILE PHONE</b>			
<b>MOLEX EUROPE</b>		SHEET NO. 10F2	DATE 95/03/29
PART NO. <b>90811-0105</b>	DWG NO. <b>SDA-90811-0105</b>	SIZE <b>B</b>	

PART NO. 90811-0105  
 DWG. NO. 90811-0105  
 SDA-90811-0105



COMPONENT	PCB PAD DIMENSION	QTY
LOCKING LATCHES	(0.80)/.031 x (2.0)/.079	$\Phi$ (.10) / .004 R (x2)
SIGNAL CONTACTS	(0.35 $\pm$ 0.05)/.014 $\pm$ 0.002 x (2.0)/.08	$\Phi$ (.10) / .004 R (x16)
SMT RETENTION PADS	(2.50)/.098 x (5.0)/.197	$\Phi$ (.10) / .004 R (x2)

FOR PREVIOUS DRAWING ISSUES SEE MRI.

A SEE SHEET I.

DIMENSIONS SHOWN ( METRIC ) INCH	INCH ( METRIC )	
	INCH	( METRIC )
3 PLACE $\pm$ .002	$\pm$ .004	$\pm$ 0.05
2 PLACE $\pm$ .004	$\pm$ .004	$\pm$ 0.10
1 PLACE		$\pm$ 0.10

DRAFT WHERE APPLICABLE MUST REMAIN WITHIN DIMENSIONS

DESIGN DIMENSION  (MM)  IN.  
 (PRIMARY)

EQUIVALENT DIMENSION  (MM)  IN.  
 (SECONDARY)

DRWG BY HDU  
 CHK'D BY  
 APP'D BY  
 SCALE 5:1

REVISE ONLY ON CAD SYSTEM		SHL	REV.
CAD/CAM FILENAME P908116 DGN		THIS DRAWING CONTAINS INFORMATION THAT IS PROPRIETARY TO MOLEX INC. & SHOULD NOT BE USED WITHOUT WRITTEN PERMISSION	
TITLE I/O CONNECTOR FOR MOBILE PHONE			
MOLEX EUROPE		SHEET NO. 20F	DATE 95/03/29
PART NO. 90811-0105	DWG NO. SDA-90811-0105	SIZE B	