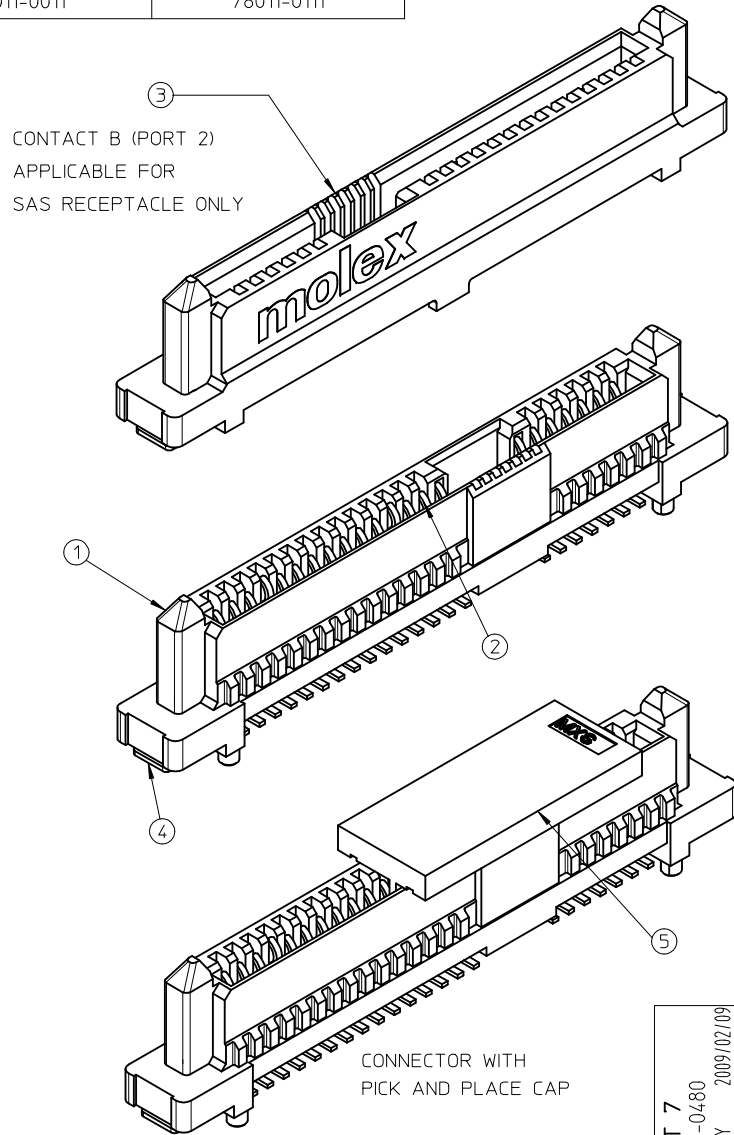


10	9	8	7	6	5	4	3	2	1
PART NUMBER									
PACKING WITH TAPE AND REEL		PACKING WITH PACKAGING TRAY							
78011-0011		78011-0111							

NO.	PART NAME	QTY.	MATERIAL
1	HOUSING	1	NYLON(IPA), UL 94V-0, COLOR: BLACK
2	CONTACT A	22	COPPER ALLOY
3	CONTACT B	0	-----
4	FITTING-NAIL	2	COPPER ALLOY
5	PICK & PLACE CAP	1	PA46, UL 94V-0, COLOR: BLACK.



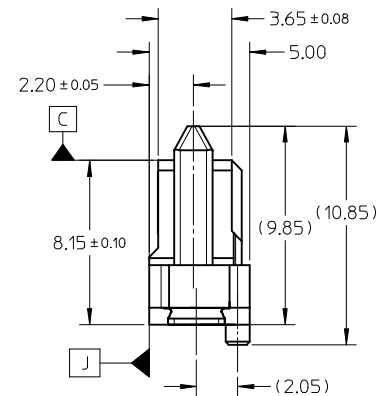
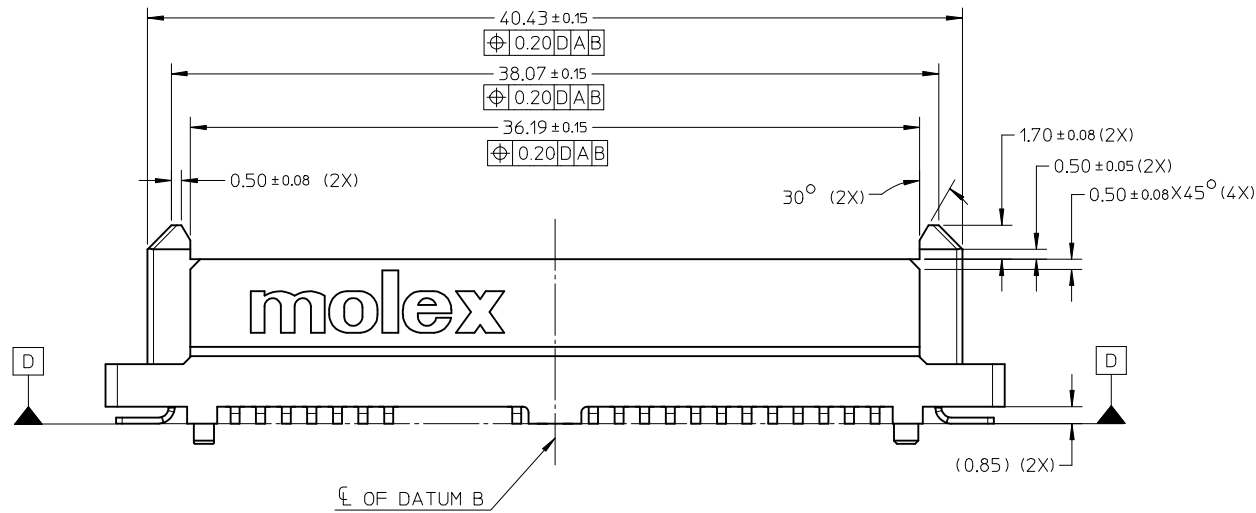
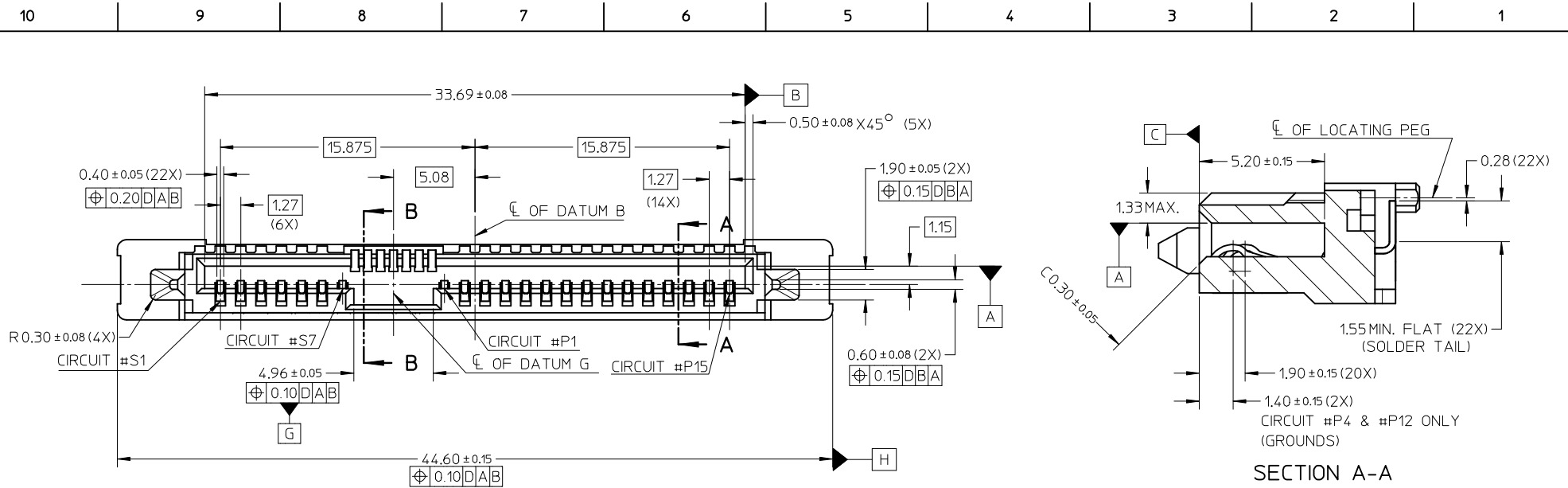
NOTES:

1. MATERIAL: REFER TO ABOVE PART-LIST.
2. PLATING SPECIFICATION: REFER TO TABLE-1.
3. APPLICABLE INDUSTRY SPECIFICATION : SERIAL ATA WORKGROUP.
4. PRODUCT SPECIFICATION: PS-78011-002.
5. PACKING: REFER TO PACKING INFORMATION (SHEET 6/6).
6. DATE CODE FORMAT: YEAR & DAY OF MANUFACTURE.
7. MOLEX LOGO IS LOCATED APPROXIMATELY AS SHOW.
8. MAXIMUM WARPAGE OF 0.13MM OVER THE LENGTH OF THE CONNECTOR IN ANY DIRECTION BEFORE AND AFTER EXPOSURE TO MAX. 260°C FOR 10 SECONDS.
9. THIS SATA RECEPTACLE CAN BE CONVERTED TO A SAS RECEPTACLE IF FILLED WITH PORT 2 TERMINALS.

TABLE-1: (CONTACTS AND FITTING-NAIL PLATING SPECIFICATION)

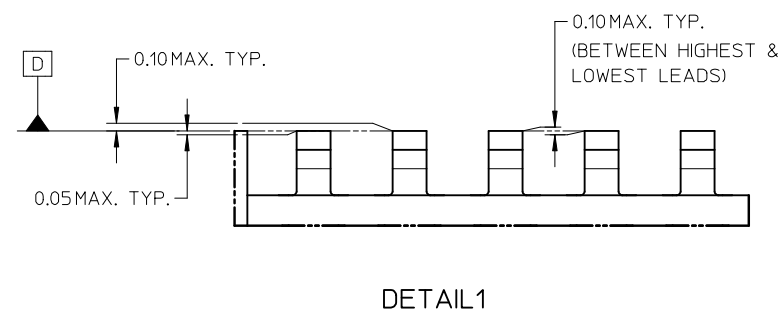
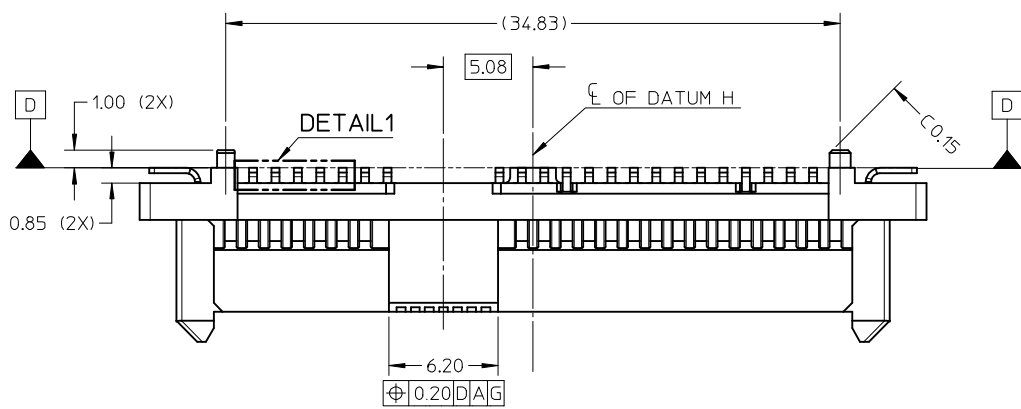
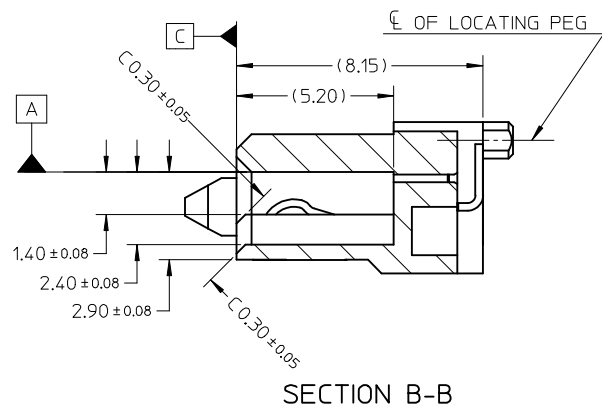
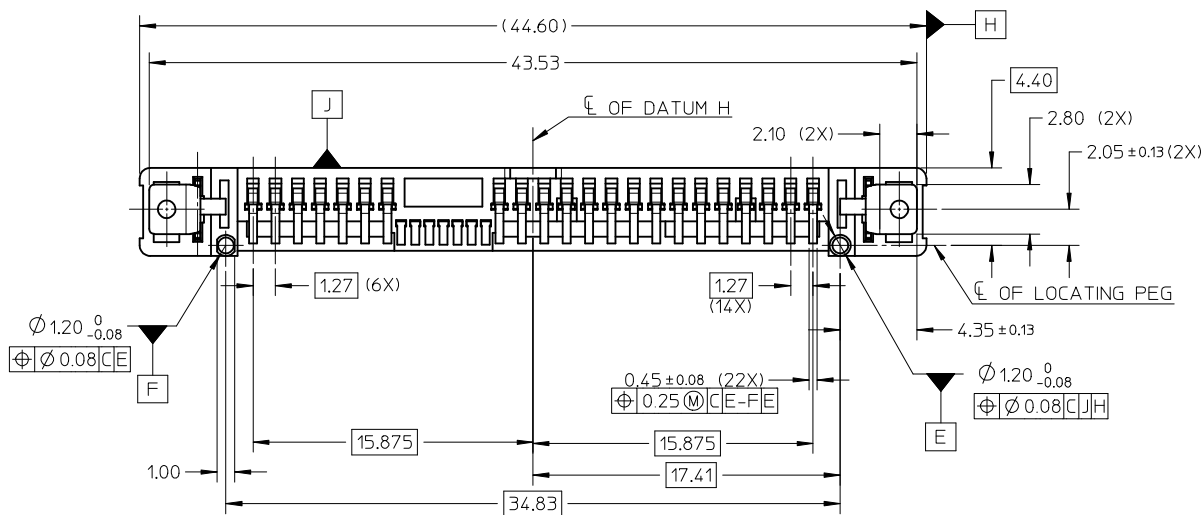
PART NAME	MATING AREA	TERMINAL AREA	OTHERS AREA
CONTACT	SELECTIVE GOLD (0.76µm MIN.)	TIN (2.54µm MIN.)	NICKEL PLATING
	OVER 1.27µm MIN. NICKEL UNDERPLATE		
FITTING-NAIL	TIN OVER NICKEL PLATING		

SEE SHEET 7 EC NO: S2009-0480 DRWN:GEMARLY 2009/02/09 CHKD:CGOH 2009/02/09 APPR:BOKOK 2009/02/12	DESCRIPTION QUALITY SYMBOLS ▽=0 ◻=0	GENERAL TOLERANCES (UNLESS SPECIFIED)		DIMENSION STYLE	SCALE	DESIGN UNITS	THIRD ANGLE PROJECTION	
				MM ONLY	NTS	METRIC		
				DRAWN BY	DATE	TITLE		
				CGTAN	2005/11/10	SERIAL ATA RECEPTACLE VERTICAL MOUNT SMT		
		CHECKED BY	DATE	MOLEX INCORPORATED			MATERIAL NO.	
		SHONG	2005/11/24	SD-78011-101			SHEET NO.	
		APPROVED BY	DATE	THIS DRAWING CONTAINS INFORMATION THAT IS PROPRIETARY TO MOLEX INCORPORATED AND SHOULD NOT BE USED WITHOUT WRITTEN PERMISSION			1 OF 7	
		KCLING	2005/11/24					
		ANGULAR ± 3 °						
		DRAFT WHERE APPLICABLE MUST REMAIN WITHIN DIMENSIONS						



SEE SHEET 7 EC NO: S2009-0480 DRW: MEMARLY 2009/02/09 CHKD: CGOH 2009/02/09 APPR: BOKOK 2009/02/12	QUALITY SYMBOLS ▽=0 ◻=0	GENERAL TOLERANCES (UNLESS SPECIFIED)		DIMENSION STYLE MM ONLY		SCALE NTS	DESIGN UNITS METRIC	THIRD ANGLE PROJECTION		
			mm	INCH	DRAWN BY	DATE	TITLE			
		4 PLACES	± ---	± ---	CGTAN	2005/11/10	SERIAL ATA RECEPTACLE VERTICAL MOUNT SMT			
		3 PLACES	± ---	± ---	CHECKED BY	DATE	MOLEX INCORPORATED			
	2 PLACES	± 0.20	± ---	SHONG	2005/11/24	DOCUMENT NO.				
	1 PLACE	± ---	± ---	APPROVED BY	DATE	SHEET NO.				
	ANGULAR ± 3 °		KCLING		2005/11/24	SD-78011-101				
	DRAFT WHERE APPLICABLE MUST REMAIN WITHIN DIMENSIONS		MATERIAL NO.		SEE TABLE		2 OF 7			
			SIZE		THIS DRAWING CONTAINS INFORMATION THAT IS PROPRIETARY TO MOLEX INCORPORATED AND SHOULD NOT BE USED WITHOUT WRITTEN PERMISSION					
			A3							

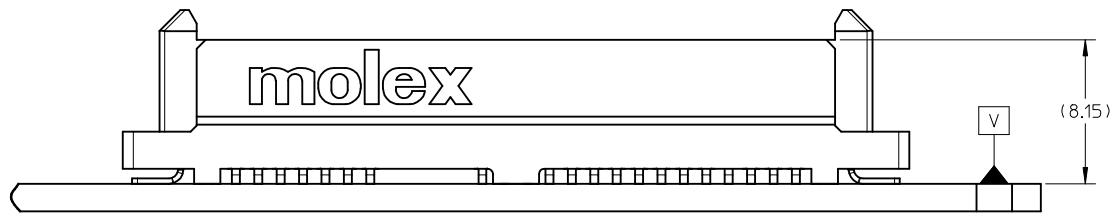
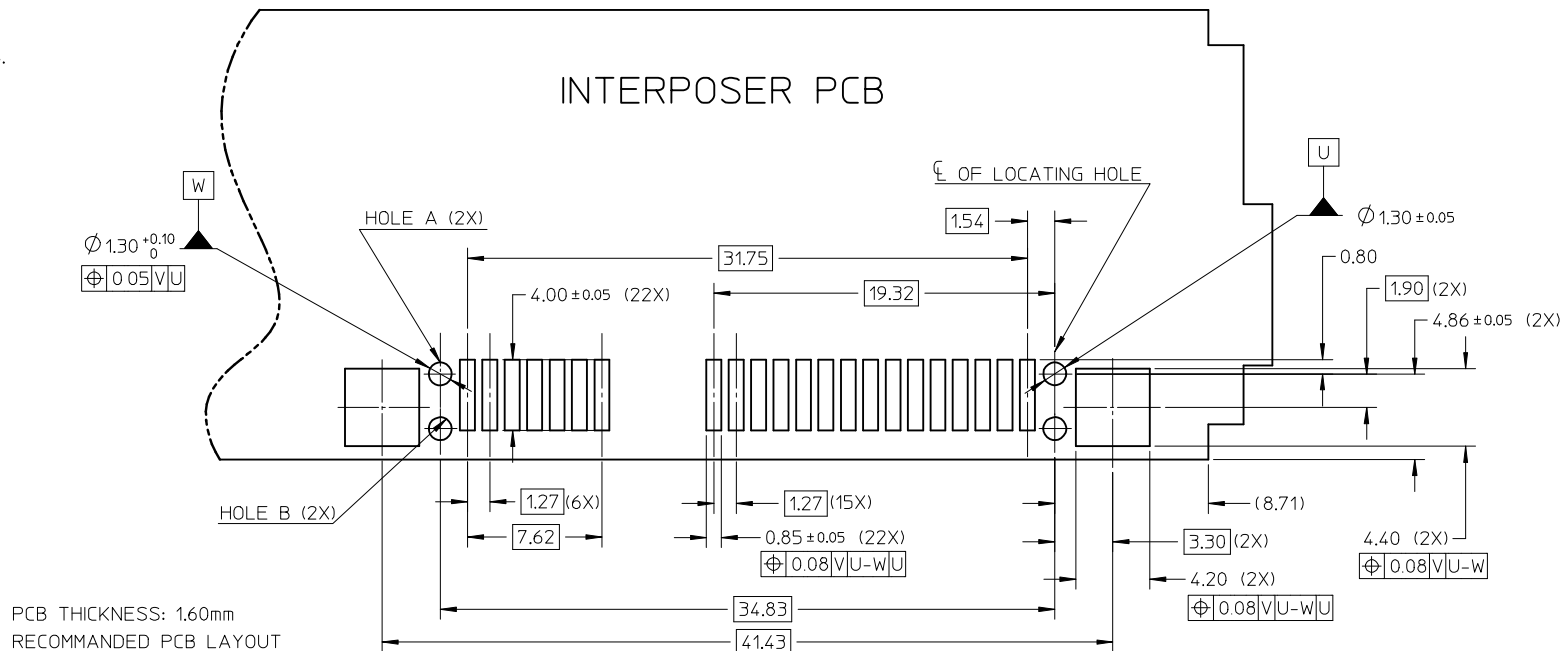
10 9 8 7 6 5 4 3 2 1



SEE SHEET 7 EC NO: S2009-0480 DRWN: MEMARLY 2009/02/09 CHKD: CGOH 2009/02/09 APPR: BOKOK 2009/02/12	QUALITY SYMBOLS ▽=0 ◻=0	GENERAL TOLERANCES (UNLESS SPECIFIED)		DIMENSION STYLE MM ONLY		SCALE NTS	DESIGN UNITS METRIC	THIRD ANGLE PROJECTION		
			mm	INCH	DRAWN BY	DATE	TITLE			
		4 PLACES	± ---	± ---	CGTAN	2005/11/10	SERIAL ATA RECEPTACLE VERTICAL MOUNT SMT			
		3 PLACES	± ---	± ---	CHECKED BY	DATE				
2 PLACES	± 0.20	± ---	SHONG	2005/11/24	MOLEX INCORPORATED					
1 PLACE	± ---	± ---	APPROVED BY	DATE						
ANGULAR ± 3 °		DRAFT WHERE APPLICABLE MUST REMAIN WITHIN DIMENSIONS		MATERIAL NO.		DOCUMENT NO.		SHEET NO.		
				SEE TABLE		SD-78011-101		3 OF 7		
				THIS DRAWING CONTAINS INFORMATION THAT IS PROPRIETARY TO MOLEX INCORPORATED AND SHOULD NOT BE USED WITHOUT WRITTEN PERMISSION						

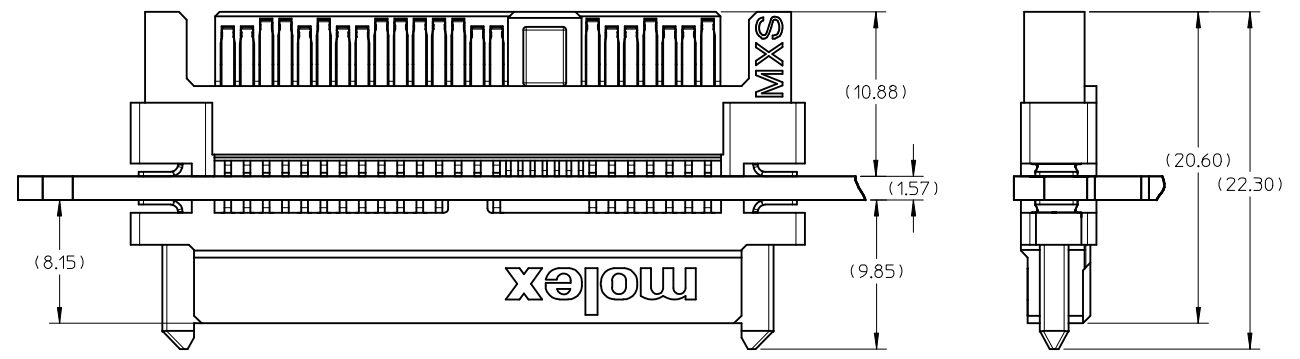
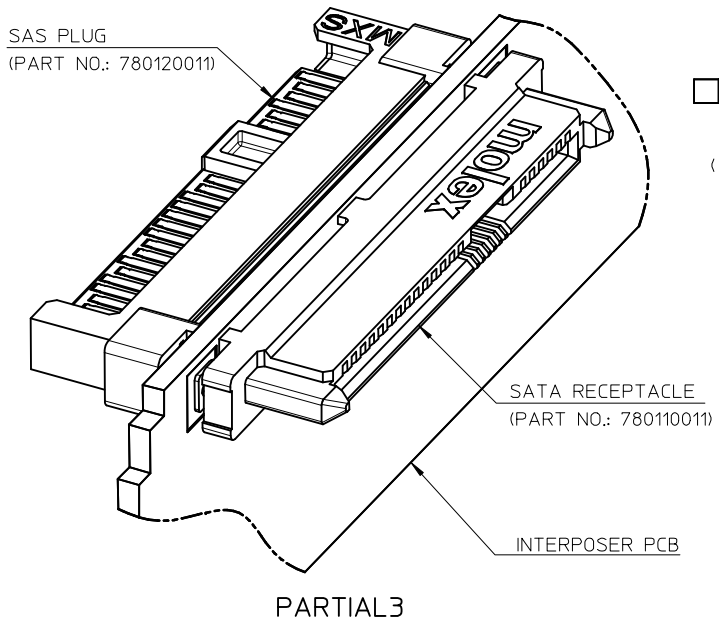
9 8 7 6 5 4 3 2 1

NOTES:
 1. REFER TO SD-78012-101
 FOR HOLES B DETAIL DIMENSIONS.



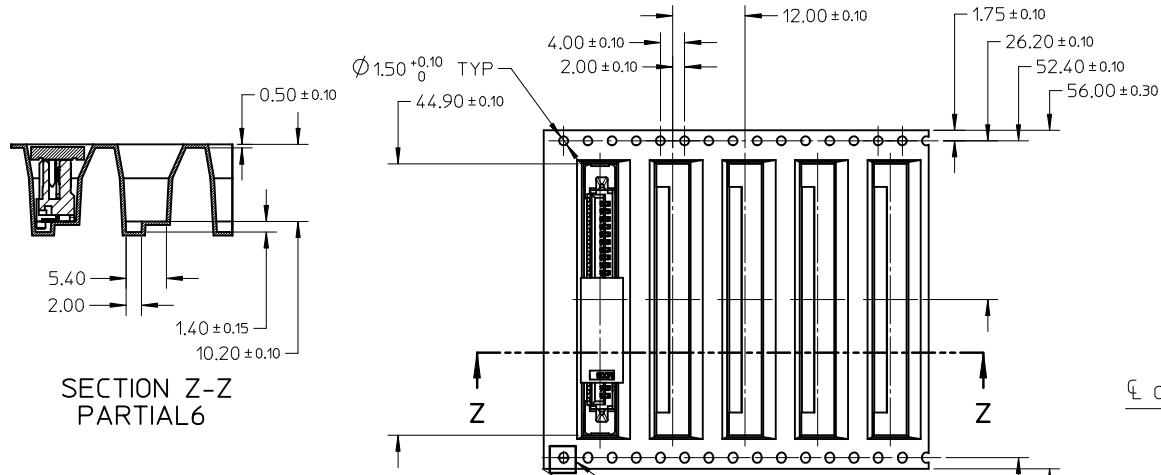
SEE SHEET 7 EC NO: S2009-0480 DRWN: MEMARLY 2009/02/09 CHKD: CGOH 2009/02/09 APPR: BOKOK 2009/02/12	QUALITY SYMBOLS	GENERAL TOLERANCES (UNLESS SPECIFIED)	DIMENSION STYLE	SCALE	DESIGN UNITS	THIRD ANGLE PROJECTION
	$\blacktriangledown = 0$ $\nabla = 0$	mm INCH 4 PLACES ± --- ± --- 3 PLACES ± --- ± --- 2 PLACES ± 0.20 ± --- 1 PLACE ± --- ± --- ANGULAR ± 3 °	MM ONLY	NTS	METRIC	
	DESCRIPTION	DRAFT WHERE APPLICABLE MUST REMAIN WITHIN DIMENSIONS	DRAWN BY: CGTAN DATE: 2005/11/10 CHECKED BY: SHONG DATE: 2005/11/24 APPROVED BY: KCLING DATE: 2005/11/24 MATERIAL NO.	TITLE	SERIAL ATA RECEPTACLE VERTICAL MOUNT SMT	
	REV		SEE TABLE	MOLEX INCORPORATED DOCUMENT NO. SD-78011-101		SHEET NO. 4 OF 7

NOTES:
 1. APPLICATION AS SHOWN IN SHEET 5/7.
 2. REFER TO SD-78012-101 FOR THE DETAILS OF SAS PLUG.

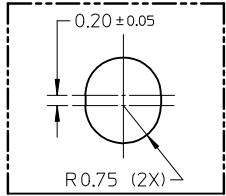


SEE SHEET 7 EC NO: S2009-0480 DRWN:GEMARLY 2009/02/09 CHKD:CGOH 2009/02/09 APPR:BOKOK 2009/02/12	QUALITY SYMBOLS	GENERAL TOLERANCES (UNLESS SPECIFIED)		DIMENSION STYLE MM ONLY		SCALE NTS	DESIGN UNITS METRIC	THIRD ANGLE PROJECTION	
	▽=0 □=0	mm	INCH	DRAWN BY CGTAN	DATE 2005/11/10	TITLE SERIAL ATA RECEPTACLE VERTICAL MOUNT SMT			
		4 PLACES ± ---	± ---	CHECKED BY SHONG	DATE 2005/11/24	MOLEX INCORPORATED			
		3 PLACES ± ---	± ---	APPROVED BY KCLING	DATE 2005/11/24	MATERIAL NO.	DOCUMENT NO.	SHEET NO.	
	2 PLACES ± 0.20	± ---	DRAFT WHERE APPLICABLE MUST REMAIN WITHIN DIMENSIONS		SEE TABLE		SD-78011-101		5 OF 7
	1 PLACE ± ---	± ---	ANGULAR ± 3 °		THIS DRAWING CONTAINS INFORMATION THAT IS PROPRIETARY TO MOLEX INCORPORATED AND SHOULD NOT BE USED WITHOUT WRITTEN PERMISSION				

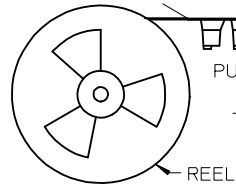
PACKING INFORMATION
TAPE AND REEL PACKING



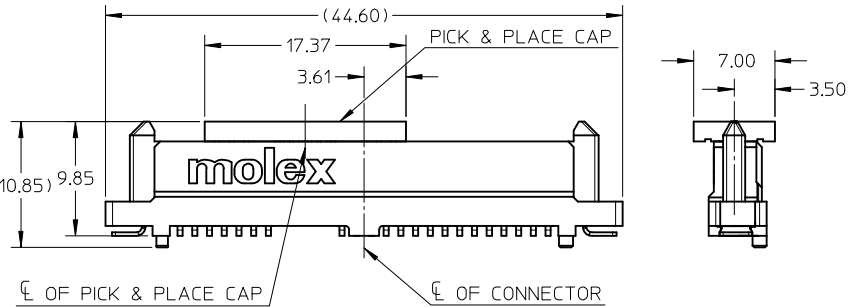
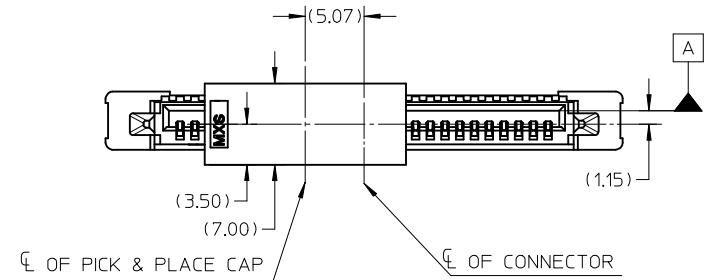
SECTION Z-Z
PARTIAL6



DETAIL2

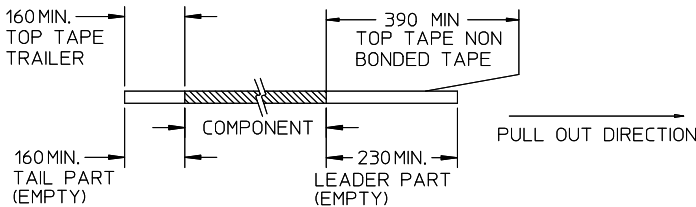


PULL OUT DIRECTION

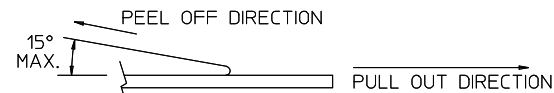


NOTES:

1. LEADER AND TRAILER TAPE



2. PEELING OFF FORCE OF THE TOP TAPE: 80gf MAX.
(PEELING DIRECTION AS SHOWN IN FOLLOWING FIGURE)

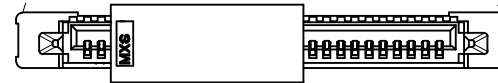
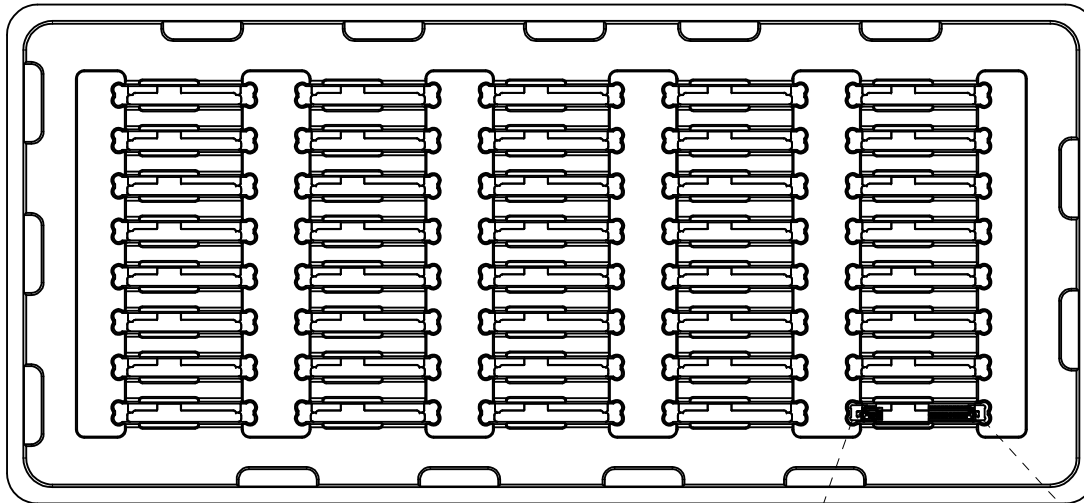


- 3. TAPE AND REEL SPECIFICATION IS AS PER EIA-481.
- 4. TAPE AND REEL QUANTITY : 450 PCS/ REEL.
- 5. THE TAPE IS TREATED FOR ANTI-STATIC.

SEE SHEET 7 EC NO: S2009-0480 DRW:GEMARLY 2009/02/09 CHKD:CGOH 2009/02/09 APPR:BOKOK 2009/02/12	QUALITY SYMBOLS ▽=0 ◻=0	GENERAL TOLERANCES (UNLESS SPECIFIED)		DIMENSION STYLE	SCALE	DESIGN UNITS	THIRD ANGLE PROJECTION
				MM ONLY	NTS	METRIC	
				DRAWN BY	DATE	TITLE	
				CHECKED BY	DATE		
		4 PLACES ± --- ± ---		CGTAN	2005/11/10	SERIAL ATA RECEPTACLE VERTICAL MOUNT SMT	
		3 PLACES ± --- ± ---		SHONG	2005/11/24		
		2 PLACES ± 0.20 ± ---		APPROVED BY	DATE		
		1 PLACE ± --- ± ---		KCLING	2005/11/24	MOLEX INCORPORATED	
		ANGULAR ± 3 °		MATERIAL NO.	DOCUMENT NO.		
		DRAFT WHERE APPLICABLE MUST REMAIN WITHIN DIMENSIONS		SEE TABLE		SD-78011-101	
				SIZE	THIS DRAWING CONTAINS INFORMATION THAT IS PROPRIETARY TO MOLEX INCORPORATED AND SHOULD NOT BE USED WITHOUT WRITTEN PERMISSION		

10 9 8 7 6 5 4 3 2 1

PACKING INFORMATION
 PACKING WITH TRAY



PART ORIENTATION IN TRAY

NOTES:

1. TRAY MATERIAL: 0.70mm THICKNESS (BEFORE FORMING), APET-CLEAR, ANTISTATIC.
2. PACKING QUANTITY: 40PCS/TRAY.

CHANGED TRAY EC NO: S2009-0480 DRWNG:GEMARLY 2009/02/09 CHKD:CGOH 2009/02/09 APPR:BOKOK 2009/02/12	DESCRIPTION REV	QUALITY SYMBOLS	GENERAL TOLERANCES (UNLESS SPECIFIED)		DIMENSION STYLE MM ONLY		SCALE NTS	DESIGN UNITS METRIC	THIRD ANGLE PROJECTION		
		▼=0 □=0	mm	INCH	DRAWN BY CGTAN	DATE 2005/11/10	TITLE SERIAL ATA RECEPTACLE VERTICAL MOUNT SMT				
		4 PLACES ± --- ± --- 3 PLACES ± --- ± --- 2 PLACES ± 0.20 ± --- 1 PLACE ± --- ± ---	ANGULAR ± 3 °		CHECKED BY SHONG	DATE 2005/11/24	MOLEX MOLEX INCORPORATED				
		DRAFT WHERE APPLICABLE MUST REMAIN WITHIN DIMENSIONS		SEE TABLE		APPROVED BY KCLING	DATE 2005/11/24	DOCUMENT NO. SD-78011-101		SHEET NO. 7 OF 7	

9 8 7 6 5 4 3 2 1