

PLEASE CHECK WWW.MOLEX.COM FOR LATEST PART INFORMATION

Part Number: [0622019900](#)
Status: **Active**
Overview: [Application Tooling](#)
Description: Micro-D Backshell Crimp Tool Kit, 15 Circuits

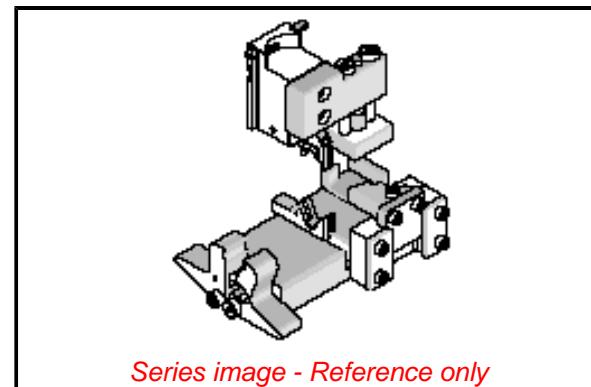
Documents:
[RoHS Certificate of Compliance \(PDF\)](#)

General

Product Family	Application Tooling
Series	207129
Comments	This tool kit is intended for use in the Basic Arbor Press. See Tooling Specification (PDF) Above, This tool kit is intended for use in the Basic Arbor Press. See Tooling Specification (PDF) Above
Function	Crimp
Geographic Area	Global
Level of Automation	Manual
More Detailed Tech Information	applicationtooling@molex.com
Overview	Application Tooling
Product Name	N/A
Tool Type	Hand Crimp Tool
UPC	800756404608
Warranty Disclaimer	CAUTION: Molex tooling crimp specifications are valid only when used with Molex terminals and tooling manufactured by Molex and sold by Molex or authorized distributors ("Molex Tooling"). When using tooling other than Molex Tooling with Molex specific connector systems listed in our ATS documents, the Molex tooling qualification does not apply and the responsibility for full qualification of the connector system is that of the customer. Molex accepts no liability for connector performance or tooling support where tooling other than Molex Tooling is used or where Molex Tooling is modified.

Material Info

Reference - Drawing Numbers
Application Tooling Documents [ATS-622019900](#)



EU ELV

Not Reviewed

EU RoHS

Not Reviewed

REACH SVHC

Not Reviewed

Halogen-Free

Status

Not Reviewed

For more information, please visit [Contact US](#)

China ROHS

Not Reviewed

ELV

Not Reviewed

RoHS Phthalates

Not Reviewed

Search Parts in this Series

[207129 Series](#)

Use With

[622019800](#)

Application Tooling | **FAQ**

Description	Product #
--------------------	------------------

1.27mm Pitch	834229014
--------------	---------------------------

Commercial Micro
D, Cable Receptacle
Kit, 15 Circuits

PLEASE CHECK WWW.MOLEX.COM FOR LATEST PART INFORMATION