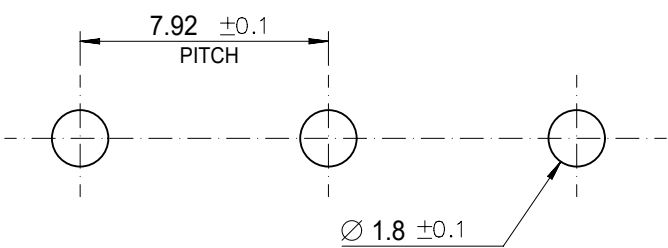
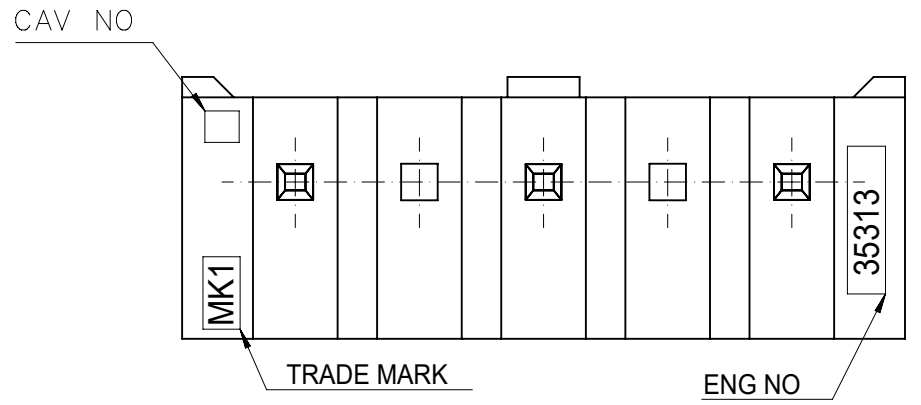
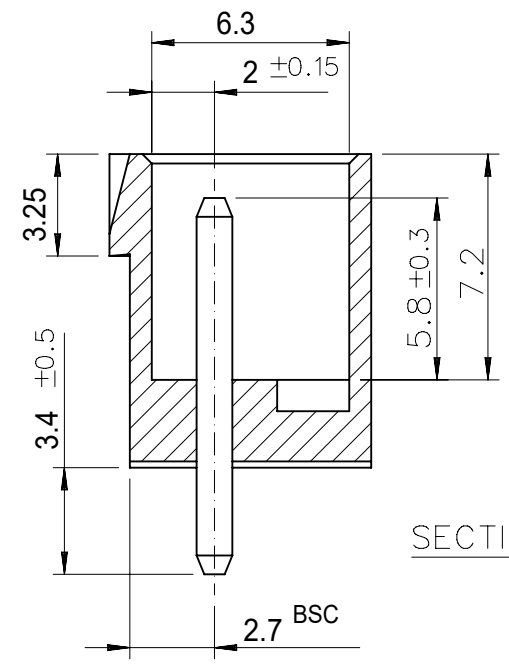
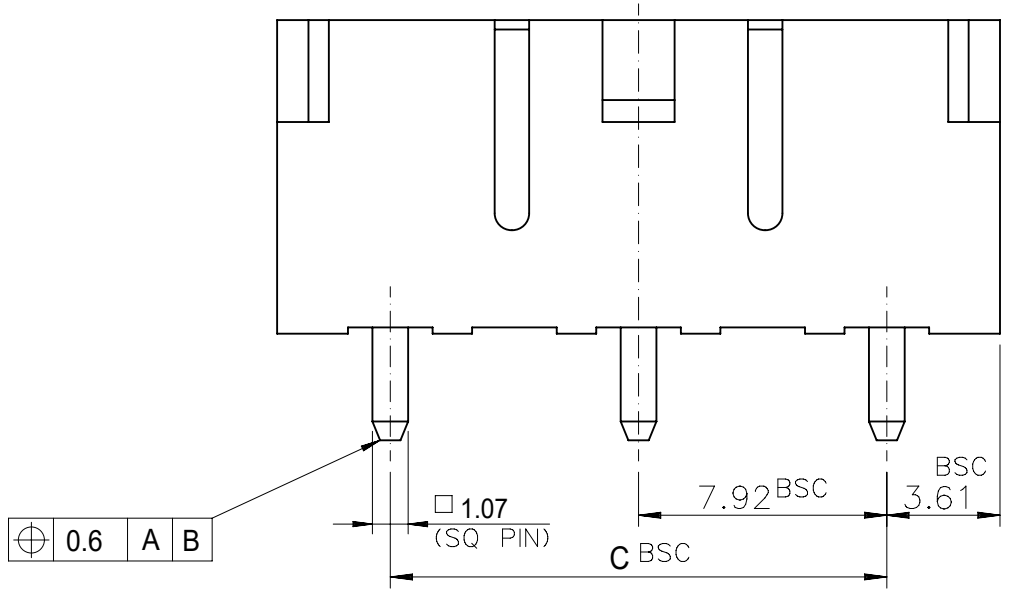
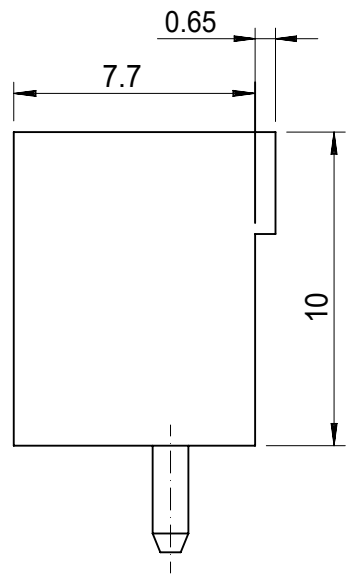


**NOTE**  
 1. MATERIAL : WAFER : NYLON66, GLASS FILLED 20%  
 PIN : BRASS, TIN PLATED

**2. LEGEND**  
 35328-\*\* 6 \*  
 COLOR : 0 - NATURAL  
 1 - BLACK  
 2 - RED  
 3 - YELLOW  
 4 - BLUE  
 CKT NO.(02,03,04...)

**3. THIS PRODUCT SHALL BE COMPLIED WITH  
 RoHS COMPATIBLE(LEAD FREE SOLDERABILITY)**



P.C.BOARD LAYOUT  
 THK. : 1.6 t

23.76	28.98	30.98	35328046*	35328-046*	4
15.84	21.06	23.06	35328036*	35328-036*	3
7.92	13.14	15.14	35328026*	35328-026*	2
C	B	A	MAT'L NO.	ENG NO.	CKT NO.

THIS DRAWING CONTAINS INFORMATION THAT IS PROPRIETARY TO MOLEX ELECTRONIC TECHNOLOGIES, LLC AND SHOULD NOT BE USED WITHOUT WRITTEN PERMISSION

DIMENSION UNITS	SCALE	CURRENT REV DESC: REMOVED OBSOLETE PART NUMBERS AS PER PCN#510808.			
mm	3.5:1	<p>7.92 W/B CONN. ASS'Y ROHS COMPATIBLE</p> <p>PRODUCT CUSTOMER DRAWING</p>			
GENERAL TOLERANCES (UNLESS SPECIFIED)					
	MM INCH				
4 PLACES	± ±				
3 PLACES	± 0.0 ±				
2 PLACES	± 0.2 ±	EC NO: 736640	2023/02/01	DOC TYPE	DOC PART
1 PLACE	± 0.2 ±	DRWN: LIKITV	2023/02/16	PSD	001
0 PLACES	± ±	CHK'D: GGA	2023/02/16	REVISION	C1
ANGULAR TOL	± 2.0°	APPR: GGA	2023/02/16	DOCUMENT NUMBER	SD-35328-001
DRAFT WHERE APPLICABLE MUST REMAIN WITHIN DIMENSIONS	THIRD ANGLE PROJECTION	INITIAL REVISION:	DRWN: K.S.KIM	MATERIAL NUMBER	SEE TABLE
		APPR: S.H.CHOI	APPR: S.H.CHOI	CUSTOMER	GENERAL MARKET
		DRAWING	SERIES	SHEET NUMBER	1 OF 1
		A3-SIZE	35328		