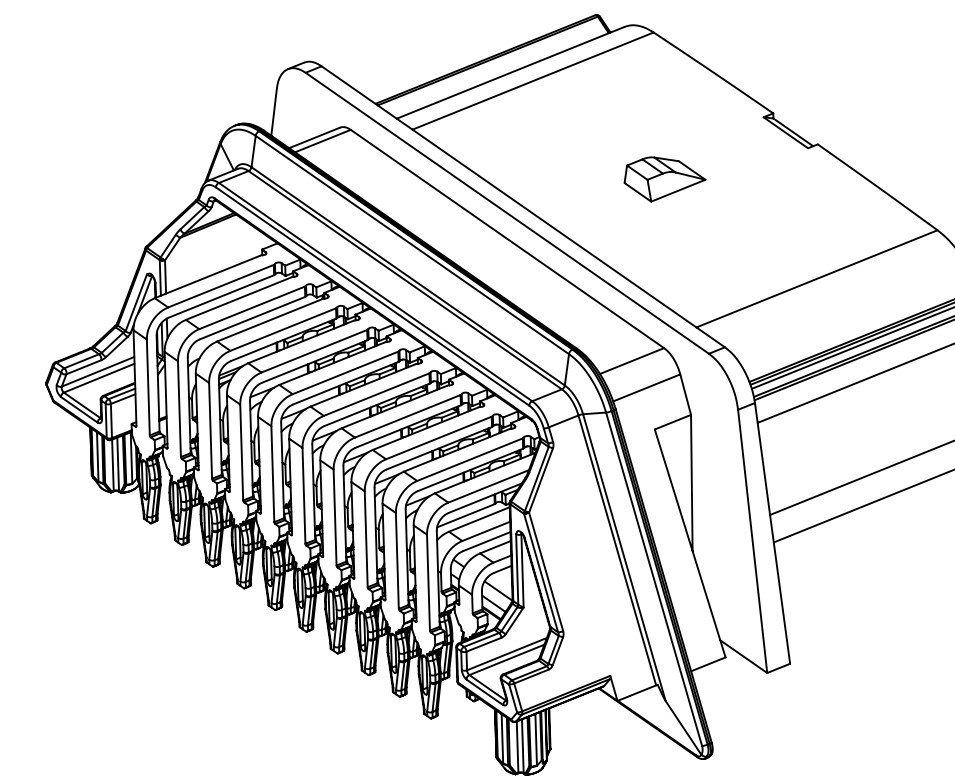
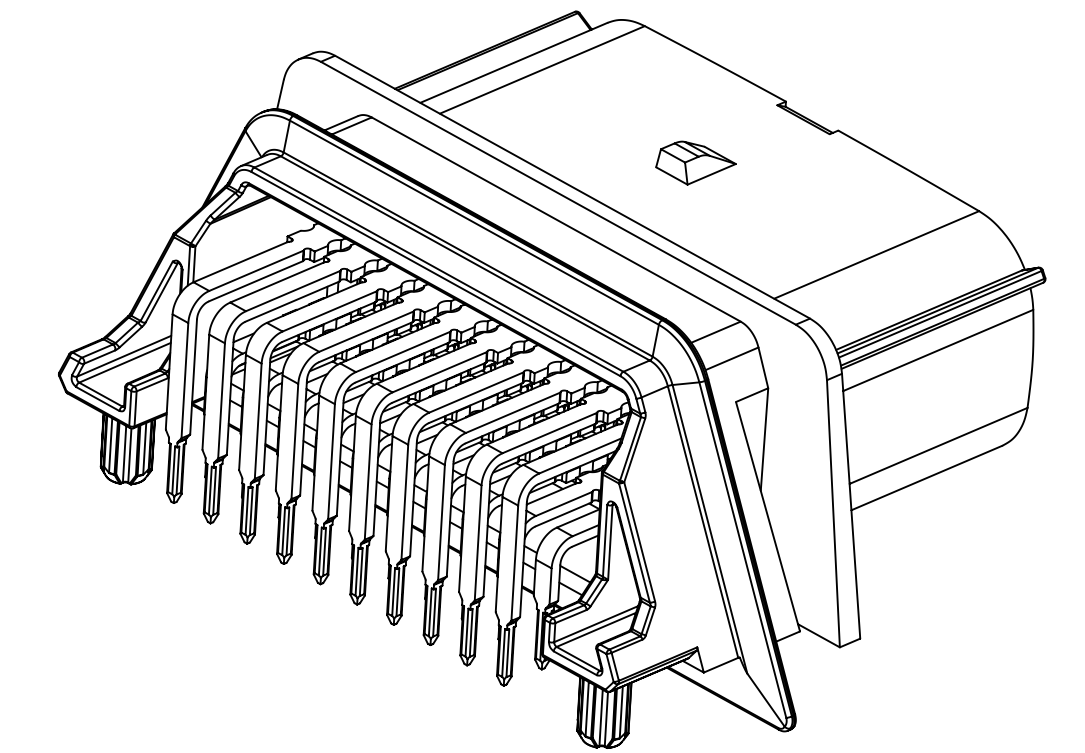


DETAIL 1
SCALE 10:1



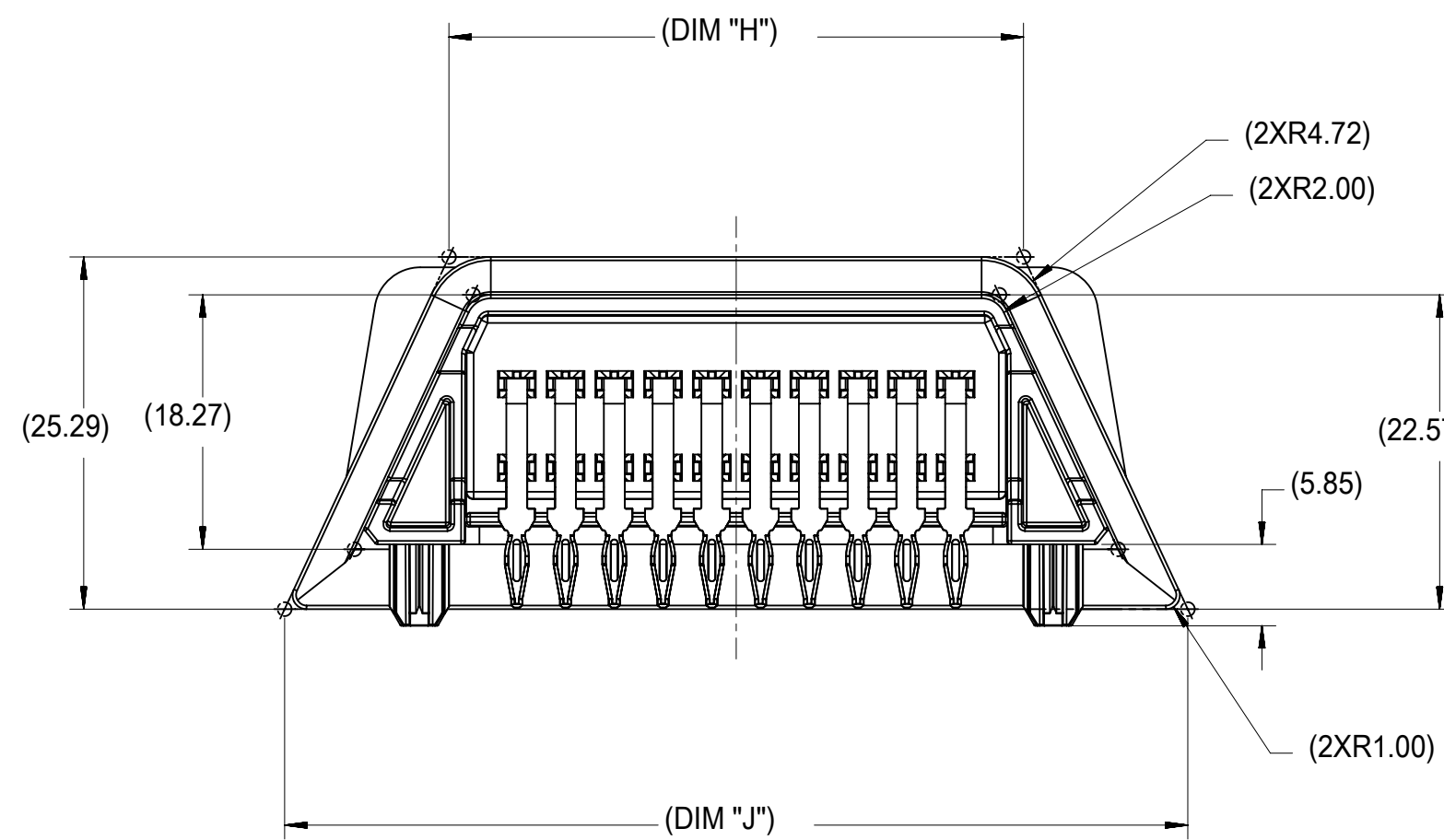
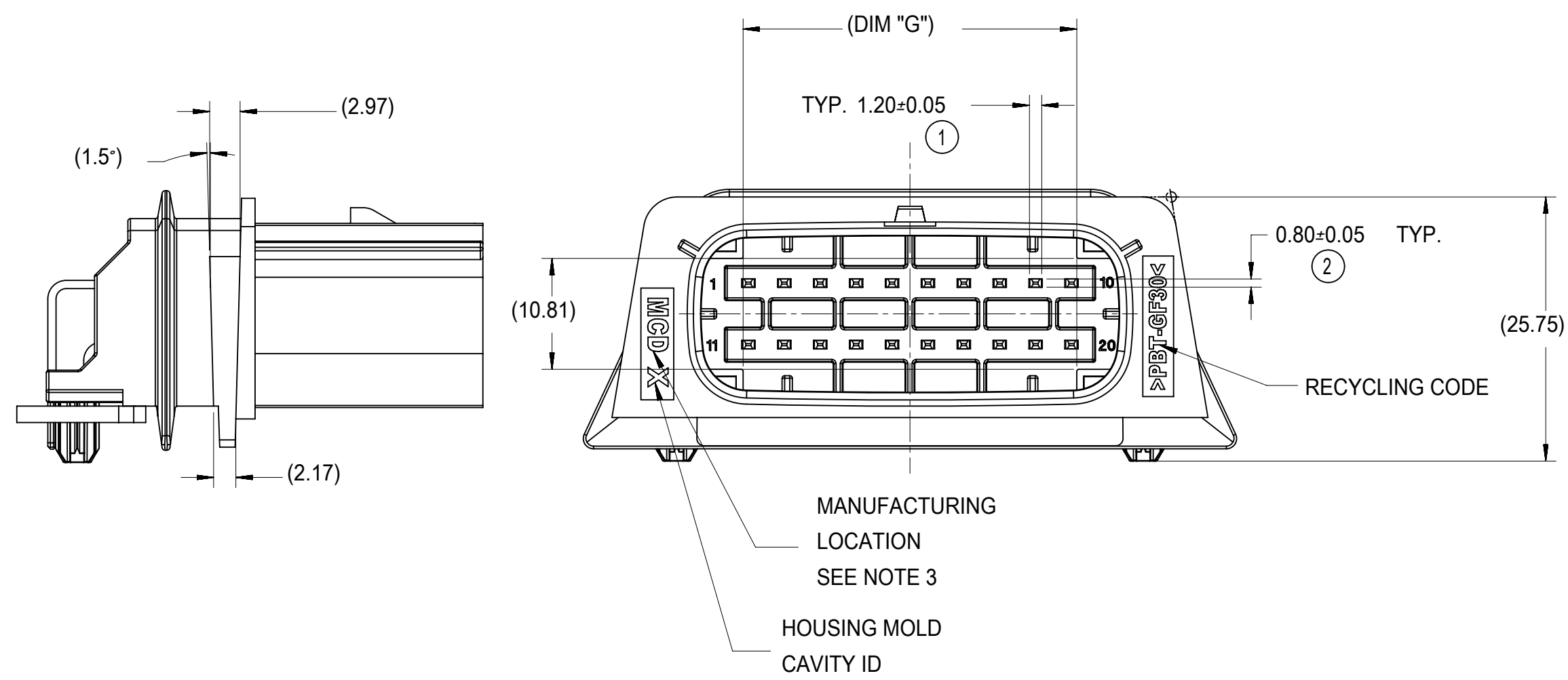
EON SHOWN
(2X10 SHOWN)



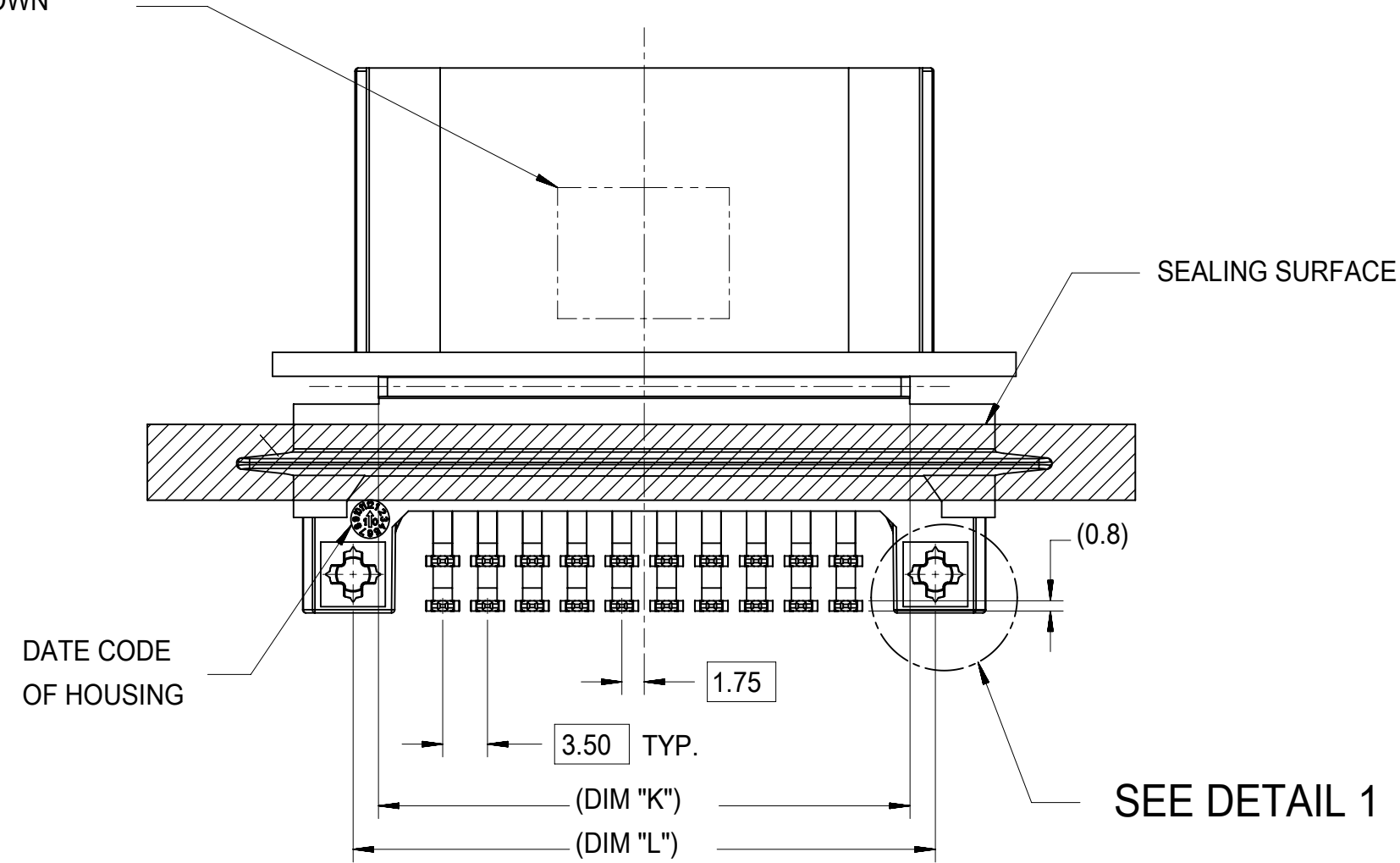
SOLDERTAIL SHOWN
(2X10 SHOWN)

NOTES UNLESS OTHERWISE SPECIFIED

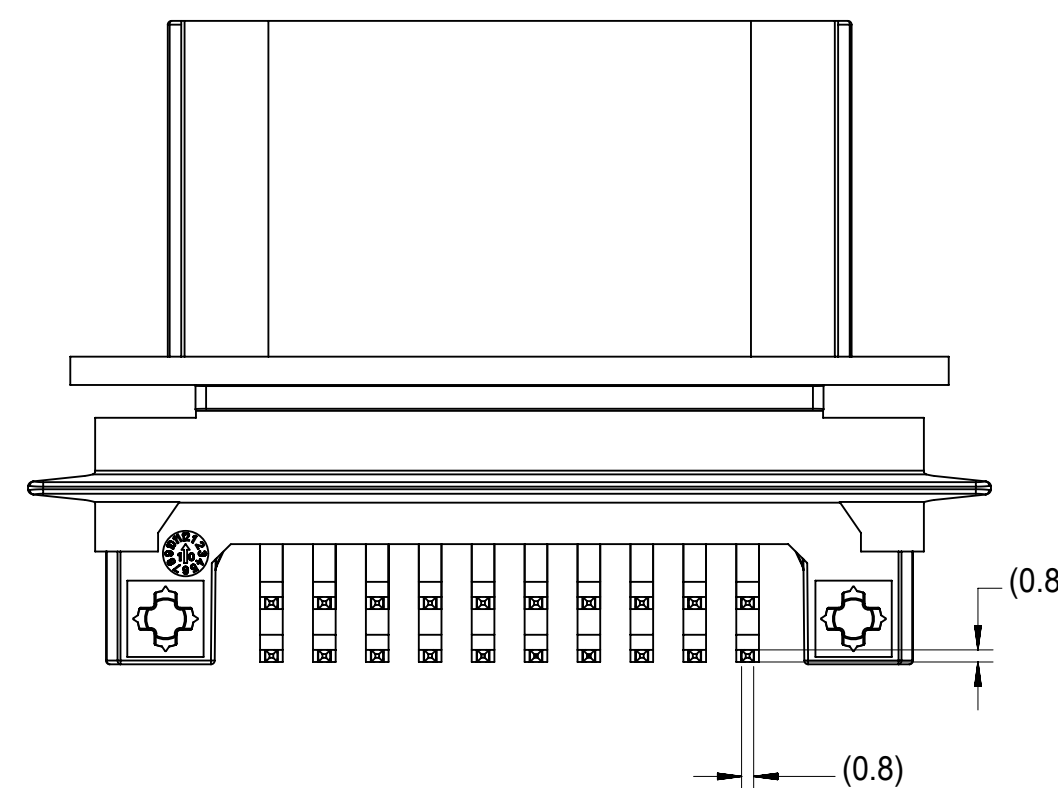
1. GENERAL:
 - a. PARTS MUST BE IN COMPLIANCE TO MOLEX CHEMICAL SUBSTANCES FOR PRODUCTS AND PACKAGING SPECIFICATION: ES-40000-5015
 - b. DATA MUST BE SUBMITTED UNDER THE MOLEX PART NUMBER TO IMDS (COMPANY ID#13255)
 - c. 1.5 PCB PRESS-FIT (COMPLIANT PIN) PER SD-31503-012 REV A
 - d. PCB INTENDED TO BE FR4 0.062" (1.6mm) THICK
2. DESIGN - MATERIALS:
 - a. HOUSING: PBT 30%GF.
 - b. TERMINAL:
 - SOLDER VERSION: COPPER ALLOY.
 - COMPLIANT VERSION: COPPER ALLOY.
3. DESIGN - GEOMETRY:
 - a. THIS IS A 100% CAD GENERATED PART. THE CAD MATHEMATICAL DATA IS THE MASTER FOR THIS PART. FOR DIMENSIONAL OR ANY INFORMATION NOT SHOWN ON THIS DRAWING, ANALYZE THE CAD MODEL.
 - b. PRODUCT DESIGN MODEL NUMBER(S): SEE BOM TABLE
 - c. GEOMETRIC DIMENSIONS AND TOLERANCES PER ASME Y14.5M - 1994
 - d. EDGES AND UNDIMENSIONED DETAILS PER ISO13715
 - e. CORNERS SHOWN AS SHARP TO BE R 0.2 MAX.
 - f. LETTERING SHALL BE 0.15 MAX RAISED. THIS INCLUDES RECYCLING CODE, CAVITY ID, MANUFACTURING LOCATION, AND MOLEX MATERIAL NUMBER.
4. TRUE POSITIONS OF THE EONS AND SOLDERTAIL TO BE VERIFIED WITH A FUNCTIONAL GO/NO GO GAUGE.
5. ALL DIMENSIONS APPLY TO THE PART AS SHIPPED FROM MOLEX. FINAL POSITIONING IS ACHIEVED WITH PCB APPLICATION TOOLING. REFERENCE AS-34829-001.
6. LASER MARKING TO BE MARKED WITH:
 - HUMAN READABLE CODE (HRC)
 - PERMANENTLY APPLIED ON THE PART WITH 1.5mm LETTER SIZE
 - INFORMATION TO BE PRINTED
 - 9 DIGIT MOLEX MATERIAL NUMBER
 - 5 DIGIT JULIAN MANUFACTURING DATE STAMP DDDYY
7. TRUE POSITION OF THE MATE SIDE CONNECTOR TO BE VERIFIED WITH A GO/NO-GO FUNCTIONAL GAGE
8. ALL DIMENSION WITH OUT BALLOONS ARE NOT MEASURED. SURROGATE DATA FROM THE COMPONENT PRINT WILL BE USED TO MEET DIMENSIONAL REQUIREMENTS.
9. EON (COMPLIANT PIN) DESIGN REQUIRES AN ASSEMBLY FIXTURE FOR INSTALLATION.



LASER MARKING TO BE SHOWN IN THIS LOCATION SEE NOTE 6



EON DESIGN



SOLDERTAIL DESIGN

SYMBOLS		THIS DRAWING CONTAINS INFORMATION THAT IS PROPRIETARY TO MOLEX ELECTRONIC TECHNOLOGIES, LLC AND SHOULD NOT BE USED WITHOUT WRITTEN PERMISSION	
▽ = 0	DIMENSION UNITS	SCALE	CURRENT REV DESC:
▽ = 0	mm	2:1	
▽ = 0	GENERAL TOLERANCES (UNLESS SPECIFIED)		
▽ = 0	ANGULAR TOL	± 3.0°	EC NO: 619116
▽ = 0	4 PLACES	±	DRWN: XLDONG03 2019/07/29
▽ = 0	3 PLACES	±	CHK'D: JDENG02 2019/08/07
▽ = 0	2 PLACES	± 0.13	APPR: JDENG02 2019/08/07
▽ = 0	1 PLACE	± 0.25	INITIAL REVISION:
▽ = 0	0 PLACES	±	DRWN: LSONG05 2012/03/22
▽ = 0	DRAFT WHERE APPLICABLE MUST REMAIN WITHIN DIMENSIONS		2012/05/29
▽ = 0	THIRD ANGLE PROJECTION	DRAWING	SERIES
		D-SIZE	34829
DOCUMENT NUMBER		CUSTOMER	SHEET NUMBER
SD-34829-001		GENERAL MARKET	1 OF 3
DOC TYPE		DOC PART	REVISION
PSD		001	A2

molex

MX150 DUAL ROW
R/A HEADER ASSEMBLY

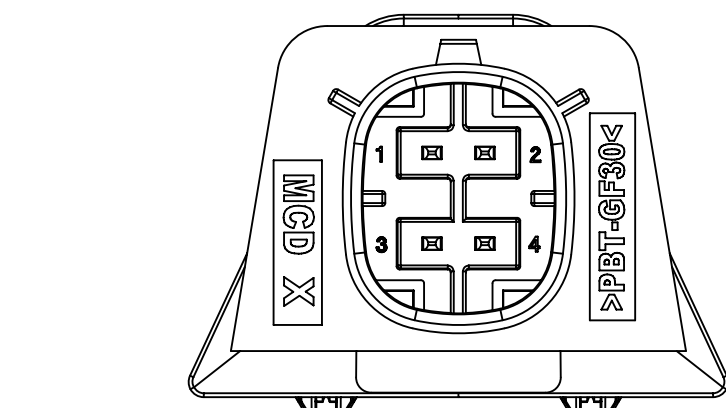
PRODUCT CUSTOMER DRAWING

DOCUMENT NUMBER DOC TYPE DOC PART REVISION

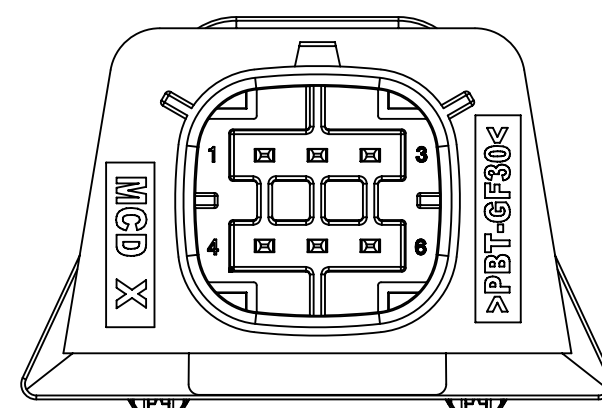
SD-34829-001 PSD 001 A2

MATERIAL NUMBER CUSTOMER SHEET NUMBER

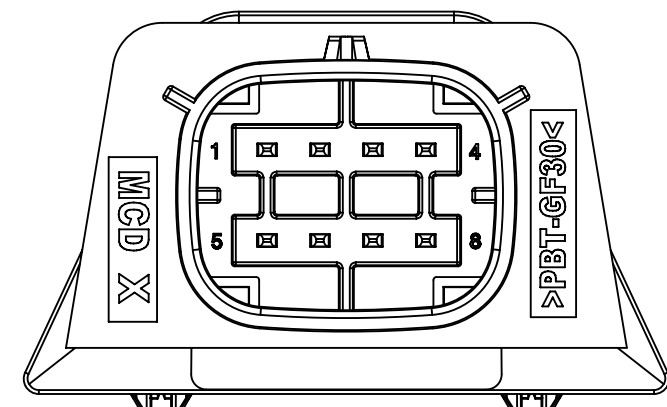
SEE SHEET 2 GENERAL MARKET 1 OF 3



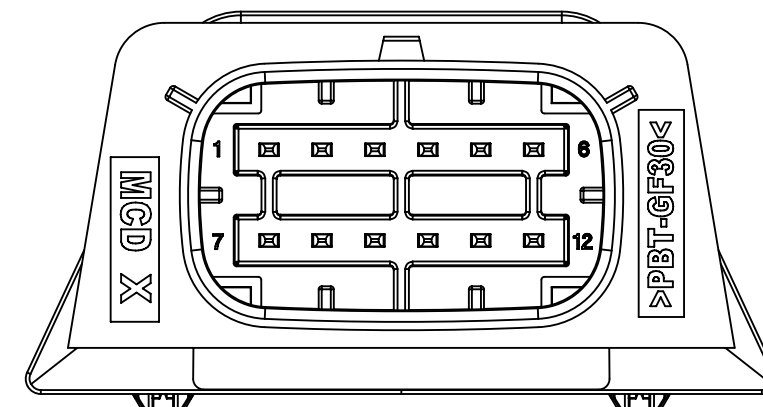
34829-04XX
34830-04XX



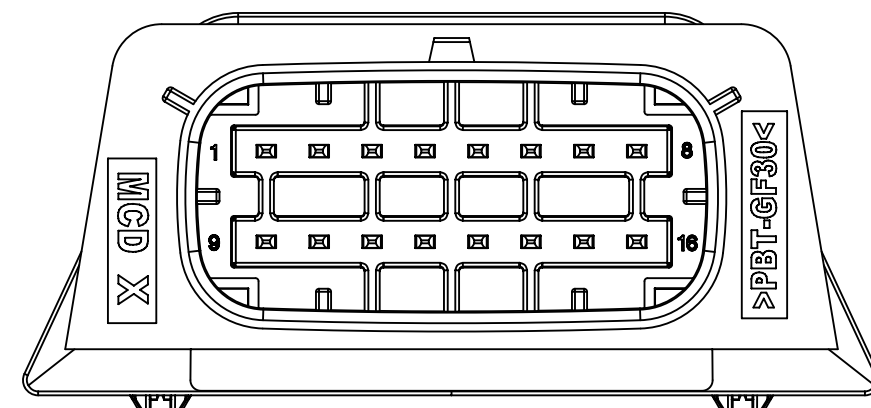
34829-06XX
34830-06XX



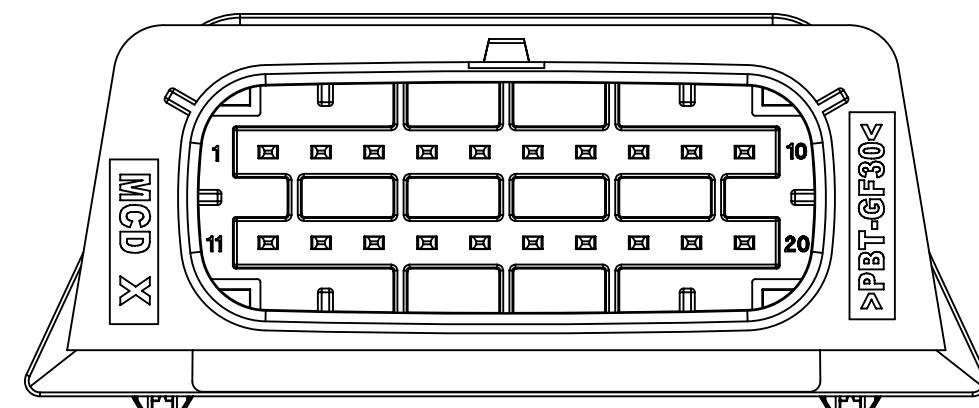
34829-08XX
34830-08XX



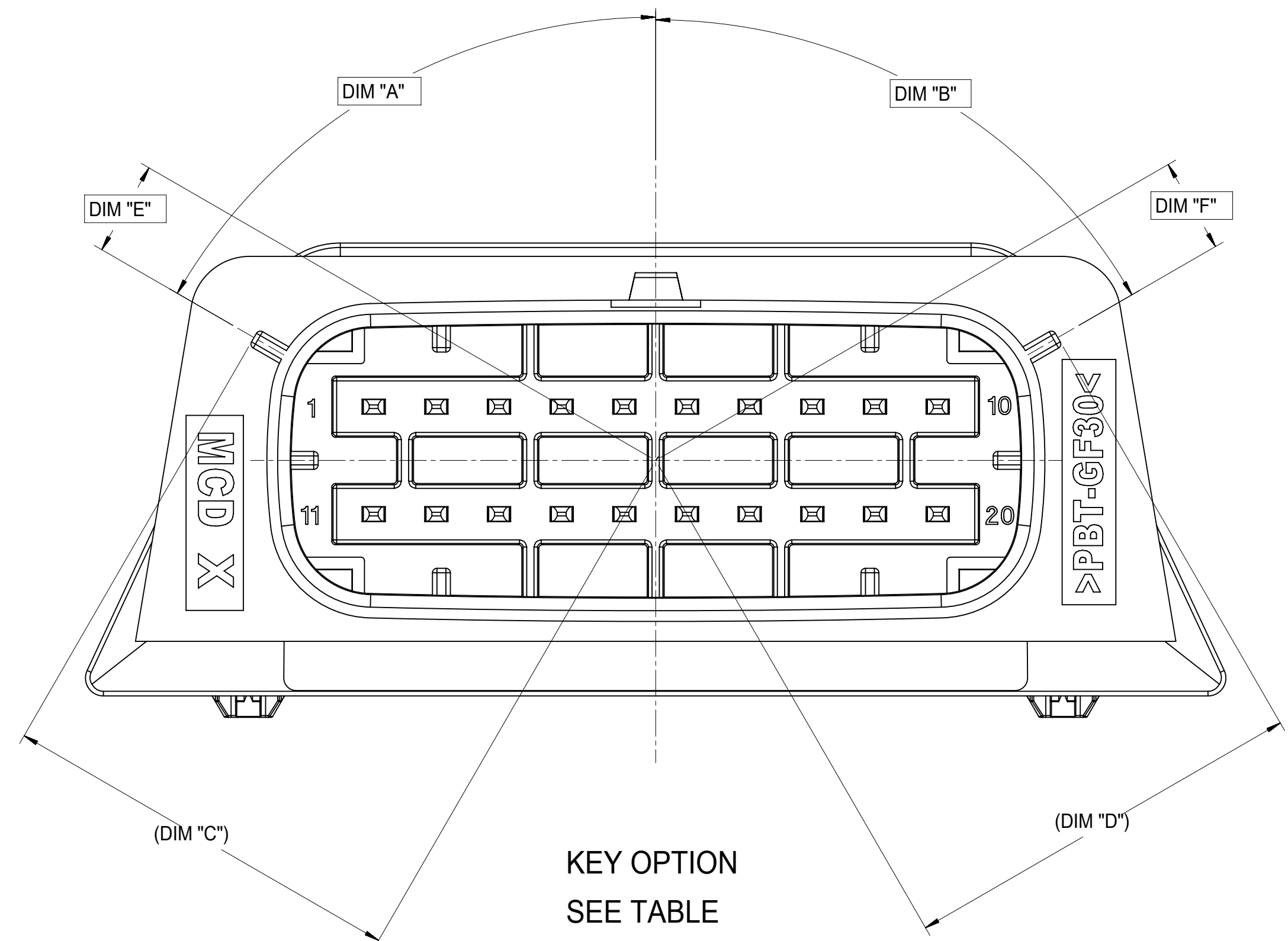
34829-12XX
34830-12XX



34829-16XX
34830-16XX



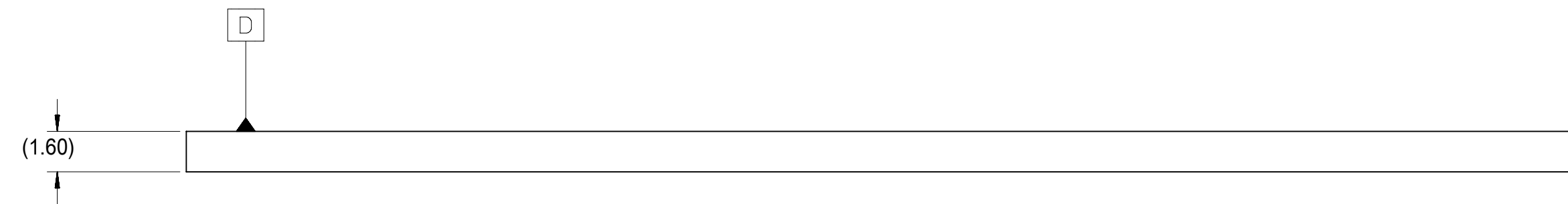
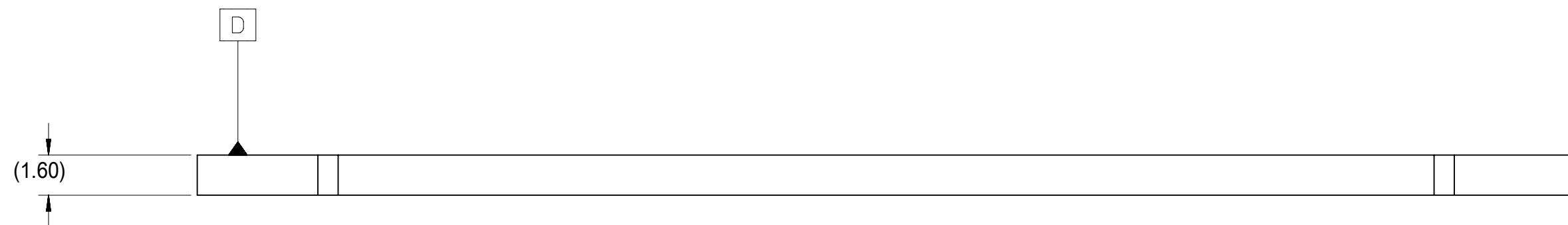
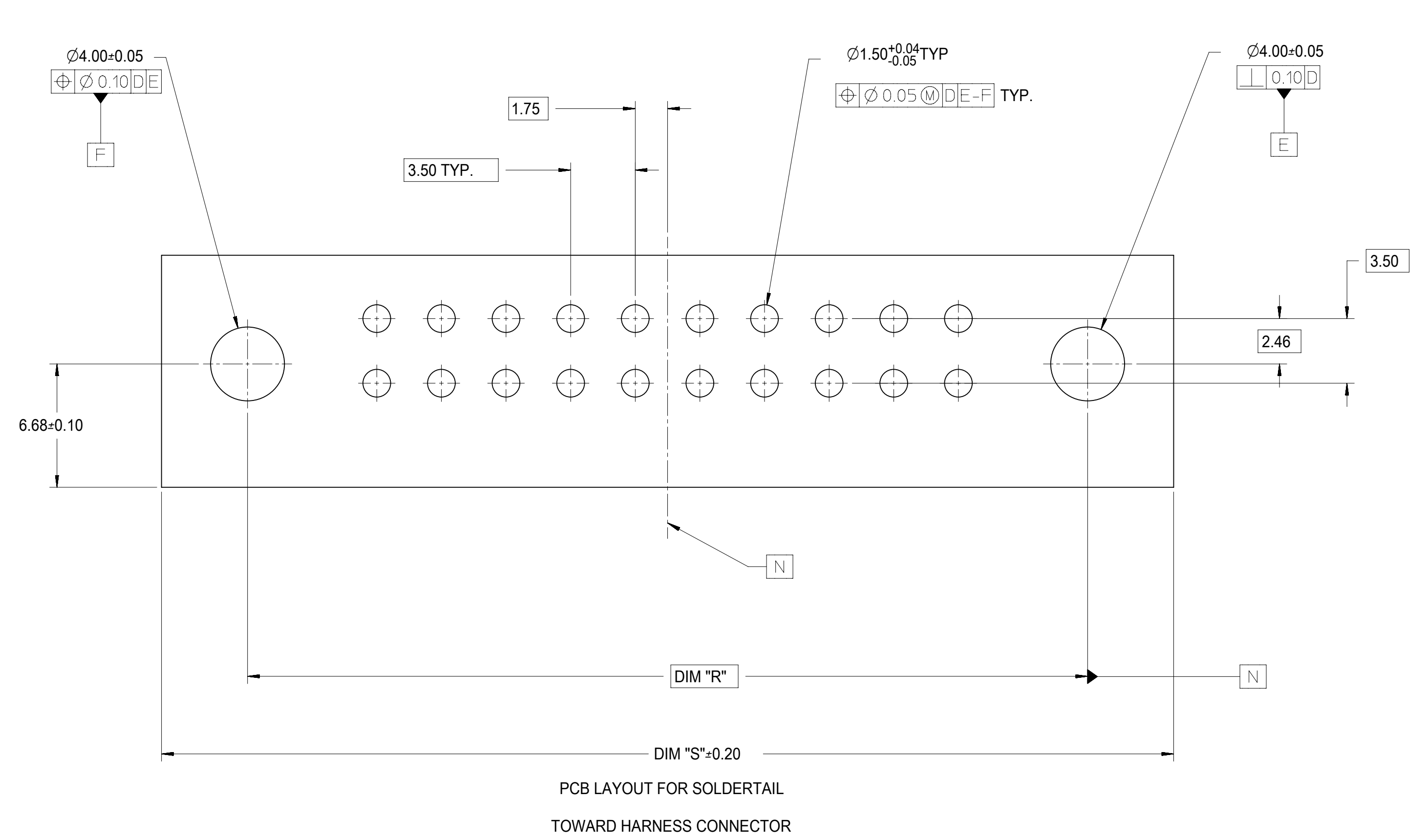
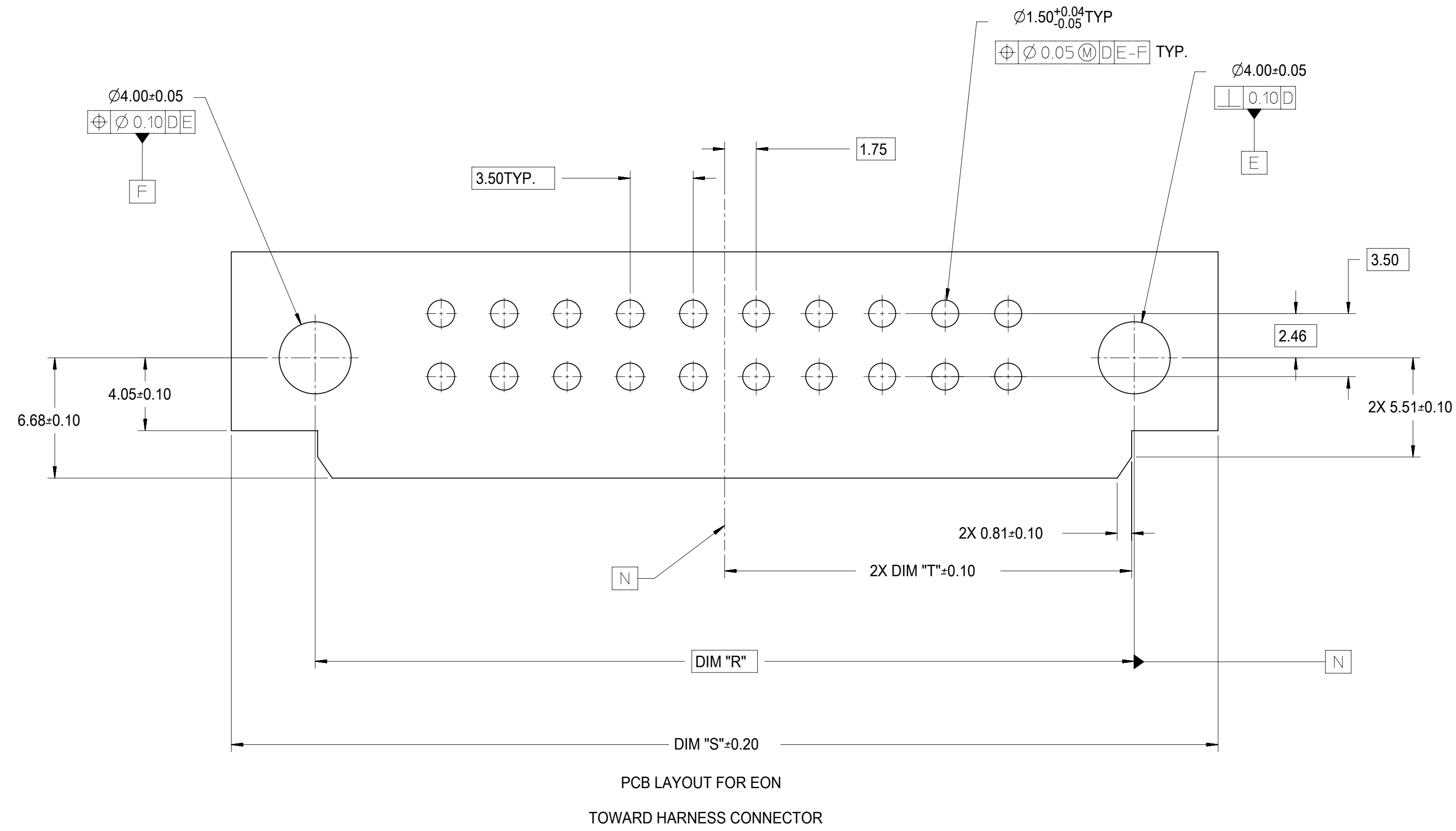
34829-20XX
34830-20XX



MATERIAL NUMBER		DESCRIPTION	KEY CODING	COLOR	DIMENSIONS										STATUS										
EON	SOLDERTAIL				A	B	C	D	E	F	G	H	J	K	L	EON	(A1) SOLDERTAIL								
348290401	348300401	2x2 WAY HEADER	A	BLACK	60°	60°	10.75	10.75	1.73	1.73	4.53	13.24	36.83	13.54	17.50	OBSOLETE	DESIGN CONCEPT								
348290402	348300402		B	LT GRAY	40°	60°	11.16	10.75	0.57	1.73															
348290403	348300403		C	DK GRAY	60°	40°	10.75	11.16	1.73	0.57															
348290404	348300404		D	BLACK	40°	40°	11.16	11.16	0.57	0.57															
348290601	348300601	2x3 WAY HEADER	A	BLACK	60°	60°	12.27	12.27	0.86	0.86	8.03	16.74	40.33	17.04	21.00	OBSOLETE	DESIGN CONCEPT								
348290602	348300602		B	LT GRAY	25°	60°	11.93	12.27	1.94	0.86															
348290603	348300603		C	DK GRAY	60°	25°	12.27	11.93	0.86	1.94															
348290604	348300604		D	BLACK	25°	25°	11.93	11.93	1.94	1.94															
348290801	348300801	2x4 WAY HEADER	A	BLACK	60°	60°	13.78	13.78	0.02	0.02	11.53	20.24	43.83	20.54	24.50	OBSOLETE	SALEABLE								
348290802	348300802		B	LT GRAY	25°	60°	12.67	13.78	3.53	0.02															
348290803	348300803		C	DK GRAY	60°	25°	13.78	12.67	0.02	3.53															
348290804	348300804		D	BLACK	25°	25°	12.67	12.67	3.53	3.53															
348291201	348301201	2x6 WAY HEADER	A	BLACK	60°	60°	16.81	16.81	1.77	1.77	18.53	27.24	50.83	27.54	31.50	OBSOLETE	DESIGN CONCEPT								
348291202	348301202		B	LT GRAY	25°	60°	14.14	16.81	6.70	1.77															
348291203	348301203		C	DK GRAY	60°	25°	16.81	14.14	1.77	6.70															
348291204	348301204		D	BLACK	25°	25°	14.14	14.14	6.70	6.70															
348291601	348301601	2x8 WAY HEADER	A	BLACK	60°	60°	19.85	19.85	3.52	3.52	25.53	34.24	57.83	34.54	38.50	OBSOLETE	DESIGN CONCEPT								
348291602	348301602		B	LT GRAY	25°	60°	15.62	19.85	9.87	3.52															
348291603	348301603		C	DK GRAY	60°	25°	19.85	15.62	3.52	9.87															
348291604	348301604		D	BLACK	25°	25°	15.62	15.62	9.87	9.87															
348292001	348302001	2x10 WAY HEADER	A	BLACK	60°	60°	22.88	22.88	5.27	5.27	32.53	41.24	64.83	41.54	45.50	OBSOLETE	SALEABLE								
348292002	348302002		B	LT GRAY	25°	60°	17.10	22.88	13.05	5.27															
348292003	348302003		C	DK GRAY	60°	25°	22.88	17.10	5.27	13.05															
348292004	348302004		D	BLACK	25°	25°	17.10	17.10	13.05	13.05															
	348302006		B	NATURAL	25°	60°	17.10	22.88	13.05	5.27															
	348302007		D	LT GRAY	25°	25°	17.10	17.10	13.05	13.05															NOT VALIDATED

SYMBOLS	THIS DRAWING CONTAINS INFORMATION THAT IS PROPRIETARY TO MOLEX ELECTRONIC TECHNOLOGIES, LLC AND SHOULD NOT BE USED WITHOUT WRITTEN PERMISSION		CURRENT REV DESC:		
	DIMENSION UNITS	SCALE			
▽ = 0	mm	2:1			MX150 DUAL ROW R/A HEADER ASSEMBLY
▽ = 0	GENERAL TOLERANCES (UNLESS SPECIFIED)				
▽ = 0	ANGULAR TOL ± 3.0°				PRODUCT CUSTOMER DRAWING
▽ = 0	4 PLACES ±				
▽ = 0	3 PLACES ±				DOCUMENT NUMBER SD-34829-001
▽ = 0	2 PLACES ± 0.13				
▽ = 0	1 PLACE ± 0.25				DOC TYPE PSD
▽ = 0	0 PLACES ±				
□ = 0	DRAFT WHERE APPLICABLE MUST REMAIN WITHIN DIMENSIONS				DOC PART 001
▽ = 0	THIRD ANGLE PROJECTION				
			DRAWING	SERIES	REVISION A2
			D-SIZE	34829	
			MATERIAL NUMBER	CUSTOMER	SHEET NUMBER 2 OF 3
			SEE TABLE	GENERAL MARKET	

PCB INTERFACE (FOR REFERENCE ONLY)



DESCRIPTION	DIMENSIONS		
	R	S	T
2X2 HEADER	17.50	26.82	8.61
2X3 HEADER	21.00	30.32	10.36
2X4 HEADER	24.50	33.82	12.11
2X6 HEADER	31.50	40.82	15.61
2X8 HEADER	38.50	47.82	19.11
2X10 HEADER	45.50	54.82	22.61

SYMBOLS	THIS DRAWING CONTAINS INFORMATION THAT IS PROPRIETARY TO MOLEX ELECTRONIC TECHNOLOGIES, LLC AND SHOULD NOT BE USED WITHOUT WRITTEN PERMISSION		
	DIMENSION UNITS	SCALE	CURRENT REV DESC:
▽ = 0	mm	5:1	<p>molex</p> <p>MX150 DUAL ROW R/A HEADER ASSEMBLY</p> <p>PRODUCT CUSTOMER DRAWING</p> <p>DOCUMENT NUMBER: SD-34829-001 DOC TYPE: PSD DOC PART: 001 REVISION: A2</p> <p>SHEET NUMBER: 3 OF 3</p>
▽ = 0	GENERAL TOLERANCES (UNLESS SPECIFIED)		
▽ = 0	ANGULAR TOL ± 3.0°		
▽ = 0	4 PLACES ±		
▽ = 0	3 PLACES ±		
▽ = 0	2 PLACES ± 0.13		
▽ = 0	1 PLACE ± 0.25		
▽ = 0	0 PLACES ±		
▽ = 0	DRAFT WHERE APPLICABLE MUST REMAIN WITHIN DIMENSIONS	THIRD ANGLE PROJECTION	<p>EC NO: 619116</p> <p>DRWN: XLDONG03 2019/07/29</p> <p>CHK'D: JDENG02 2019/08/07</p> <p>APPR: JDENG02 2019/08/07</p> <p>INITIAL REVISION:</p> <p>DRWN: LSONG05 2012/03/22</p> <p>APPR: PBERG 2012/05/29</p>
▽ = 0	DRAWING	SERIES	MATERIAL NUMBER
▽ = 0	D-SIZE	34829	SEE SHEET 2