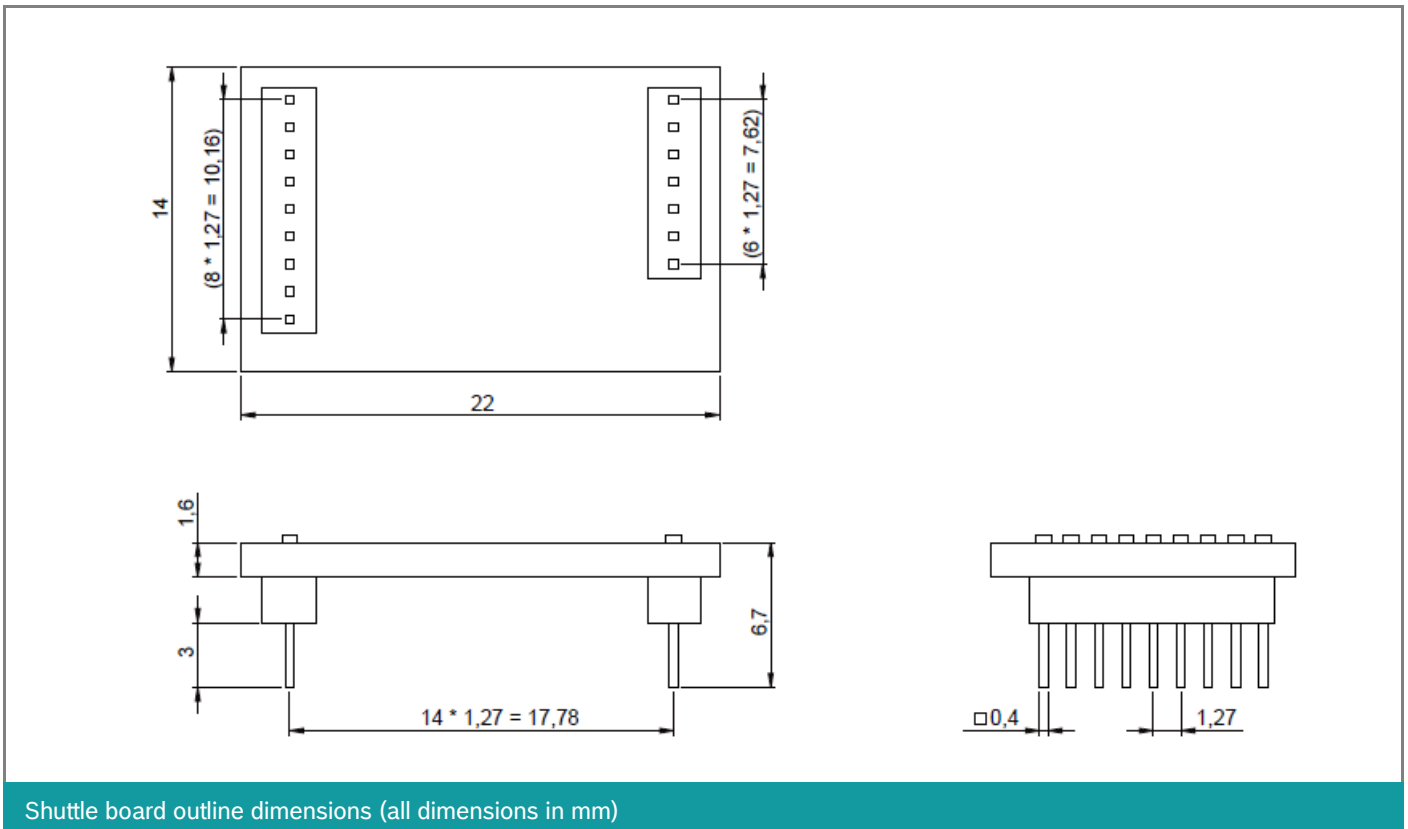


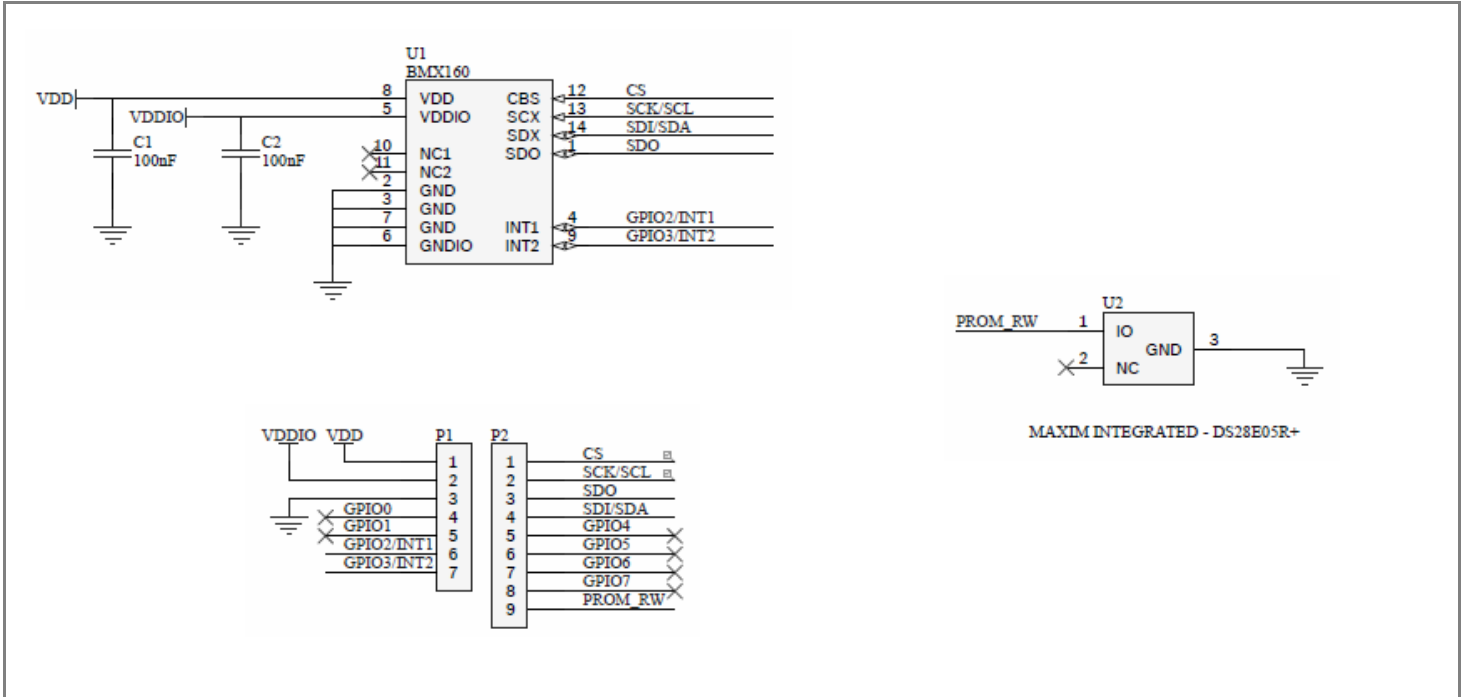
BMX160

Shuttle board 3.0 flyer

GENERAL DESCRIPTION

The Bosch Sensortec BMX160 shuttle board 3.0 is a PCB with the accelerometer BMX160 mounted on it. In combination with the application board 3.0, the shuttle board can be used to evaluate various functionalities provided on BMX160. The shuttle board allows easy access to the sensor pins via a simple socket and can be directly plugged into the Bosch Sensortec's application board 3.0.





Electrical layout

DESIGNATOR P1 SHUTTLE BOARD CONNECTOR

| Pin | Pin name | Description |
|-----|-------------|-----------------|
| 1 | VDD | Power supply |
| 2 | VDDIO | Power supply |
| 3 | GND | Ground |
| 4 | GPIO0 | NC |
| 5 | GPIO1 | NC |
| 6 | GPIO2/ INT1 | Interrupt pin 1 |
| 7 | GPIO3/ INT2 | Interrupt pin 2 |

Shuttle board identification:

- ▶ Shuttle ID: 0xD8
- ▶ Shuttle board identifier: BST01036

DESIGNATOR P2 SHUTTLE BOARD CONNECTOR

| Pin | Pin name | Description |
|-----|----------|--|
| 1 | CS | Chip selection pin of SPI bus |
| 2 | SCK/SCL | Clock pin for SPI/ I2C bus |
| 3 | SDO | Master-input-slave-output data pin of SPI bus |
| 4 | SDI/SDA | Master-output-slave-input data pin for SPI/I2C bus |
| 5 | GPIO4 | NC |
| 6 | GPIO5 | NC |
| 7 | GPIO6 | NC |
| 8 | GPIO7 | NC |
| 9 | PROM_RW | Connect to EEPROM |

Headquarters
Bosch Sensortec GmbH

Gerhard-Kindler-Strasse 9
72770 Reutlingen · Germany
Telephone +49 7121 3535 900
Fax +49 7121 3535 909

www.bosch-sensortec.com