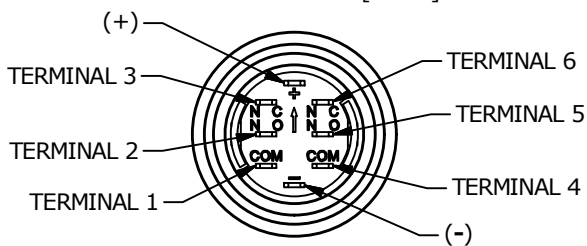
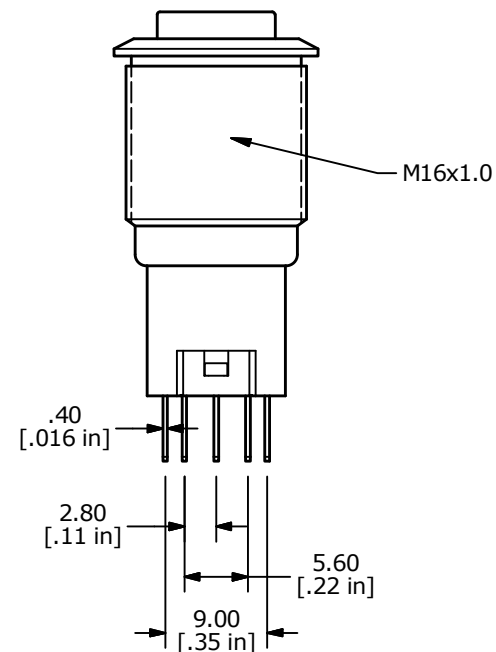
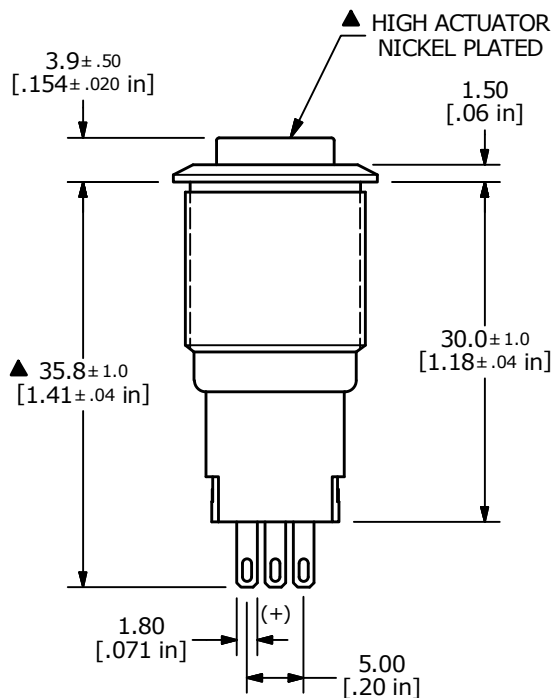
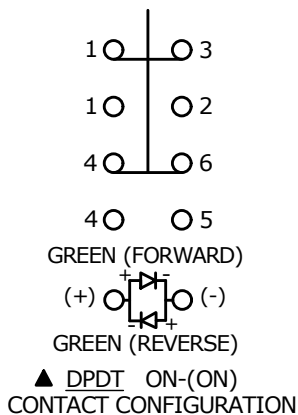


▲ SWITCH FUNCTION

POS. 1	POS. 2
ON	(ON)
1-3, 4-6	1-2, 4-5

(ON) = MOMENTARY



- NOTE:
- ALL DIMENSIONS IN MM [INCH]
  - GENERAL TOLERANCE: X.X = ±0.4  
X.XX = ±0.25
  - TERMINAL NUMBERS FOR REF ONLY
  - CONTACT MATERIAL: SILVER
  - RATING: 2A 48VDC
  - ELECTRIC LIFE: 50,000 MAKE-AND-BREAK CYCLES AT FULL LOAD.
  - INSULATION RESISTANCE: 1,000 MΩ MIN.
  - DIELECTRIC STRENGTH: 2,000 VAC MIN. FOR 1 MINUTE
  - CONTACT RESISTANCE: 50mΩ MAX. @ 1A 12VDC
  - OPERATING TEMP.: -20°C to 55°C
  - ▲ DENOTES CRITICAL PARAMETER.
  - HARDWARE SUPPLIED: O-RING AND HEXNUT
  - INGRESS RATING: IP40
  - LAMP VOLTAGE: 2.8V

REV	PCR NO	DESCRIPTION	DATE	BY
G	23610	update +/- Terminals	10/9/18	MW
F	23364	UPDATED RATING TO 2A 48VDC	5/14/18	MJR
E	22887	UPDATED RATING TO 1A 24VDC	6/19/17	MJR



TITLE PV3H2H0NN-331

SCALE	DATE	DR	DWG	REV
3:2	1/30/2012	BMA	52-PV3H2H0NN331	G

THE INFORMATION CONTAINED IN THIS DOCUMENT IS PROPRIETARY TO E-SWITCH AND IS NOT TO BE COPIED OR TRANSFERRED