

TDK Corporation

Piezo & Protection Device B. Grp.

3-9-1, Shibaura, Minato-ku, Tokyo,

108-0023, Japan

TEL. 03-6852-7300



NTCG

**NTC Chip Thermistor
Temperature Sensing Device**

PRODUCT: NTCG163JX103DTDS

**This product is compliant with the
AEC-Q200 standard.**

PAGE NO.: 1 OF 1

Dimensions and construction

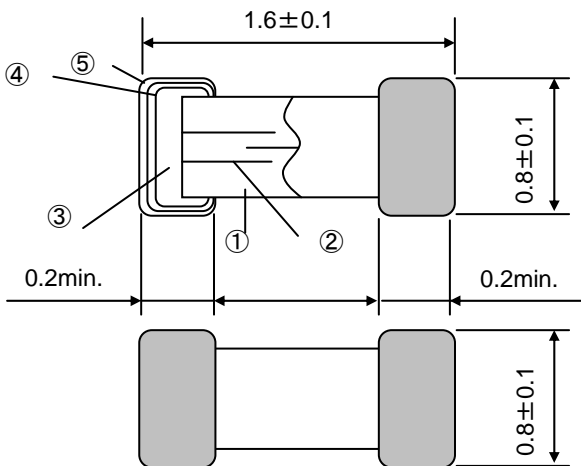


TABLE1. Parts List

	Part Name	Material
①	Element	Manganese, Nickel-oxide base Ceramics materials
②	Inner electrodes	Palladium
③	Terminal electrodes	Silver base
④		Nickel-plating
⑤		Tin-plating

Operating temperature range

-40 ~ +125°C

TABLE 2. Electric Performance:

Item	Symbol	Specification
Nominal resistance and tolerance	R25	10kΩ ± 0.5%
B value and tolerance	B25/85	3435K ± 0.7%
Maximum rated power (condition: chip)	P25	100 mW / 25°C in still air

TABLE 3. Resistance - Temperature Characteristics (condition: chip in silicone oil)

Temp (°C)	Min (kΩ)	Nom (kΩ)	Max (kΩ)	Temp (°C)	Min (kΩ)	Nom (kΩ)	Max (kΩ)	Temp (°C)	Min (kΩ)	Nom (kΩ)	Max (kΩ)
-40.0	183.7	188.5	193.4	20.0	12.02	12.09	12.17	80.0	1.639	1.668	1.698
-35.0	140.9	144.3	147.7	25.0	9.950	10.00	10.05	85.0	1.425	1.451	1.478
-30.0	108.9	111.3	113.8	30.0	8.260	8.312	8.364	90.0	1.243	1.267	1.292
-25.0	84.83	86.56	88.31	35.0	6.890	6.942	6.995	95.0	1.087	1.110	1.133
-20.0	66.55	67.79	69.05	40.0	5.775	5.826	5.877	100.0	0.955	0.975	0.996
-15.0	52.58	53.46	54.37	45.0	4.862	4.911	4.960	105.0	0.841	0.860	0.879
-10.0	41.81	42.45	43.10	50.0	4.112	4.158	4.205	110.0	0.743	0.760	0.778
-5.0	33.47	33.93	34.39	55.0	3.493	3.536	3.580	115.0	0.658	0.674	0.690
0.0	26.96	27.28	27.61	60.0	2.979	3.019	3.060	120.0	0.585	0.599	0.614
5.0	21.84	22.07	22.31	65.0	2.551	2.588	2.626	125.0	0.521	0.534	0.548
10.0	17.80	17.96	18.13	70.0	2.193	2.227	2.262				
15.0	14.58	14.70	14.81	75.0	1.893	1.924	1.956				