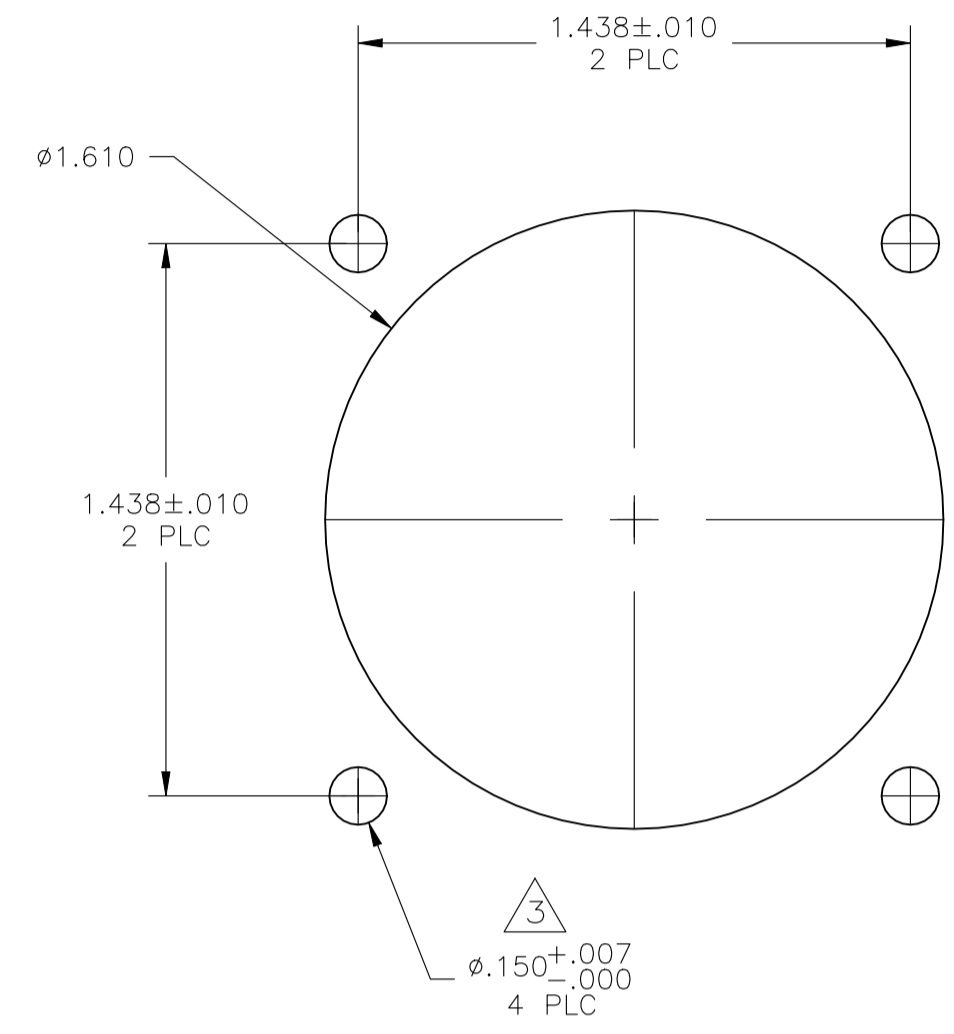
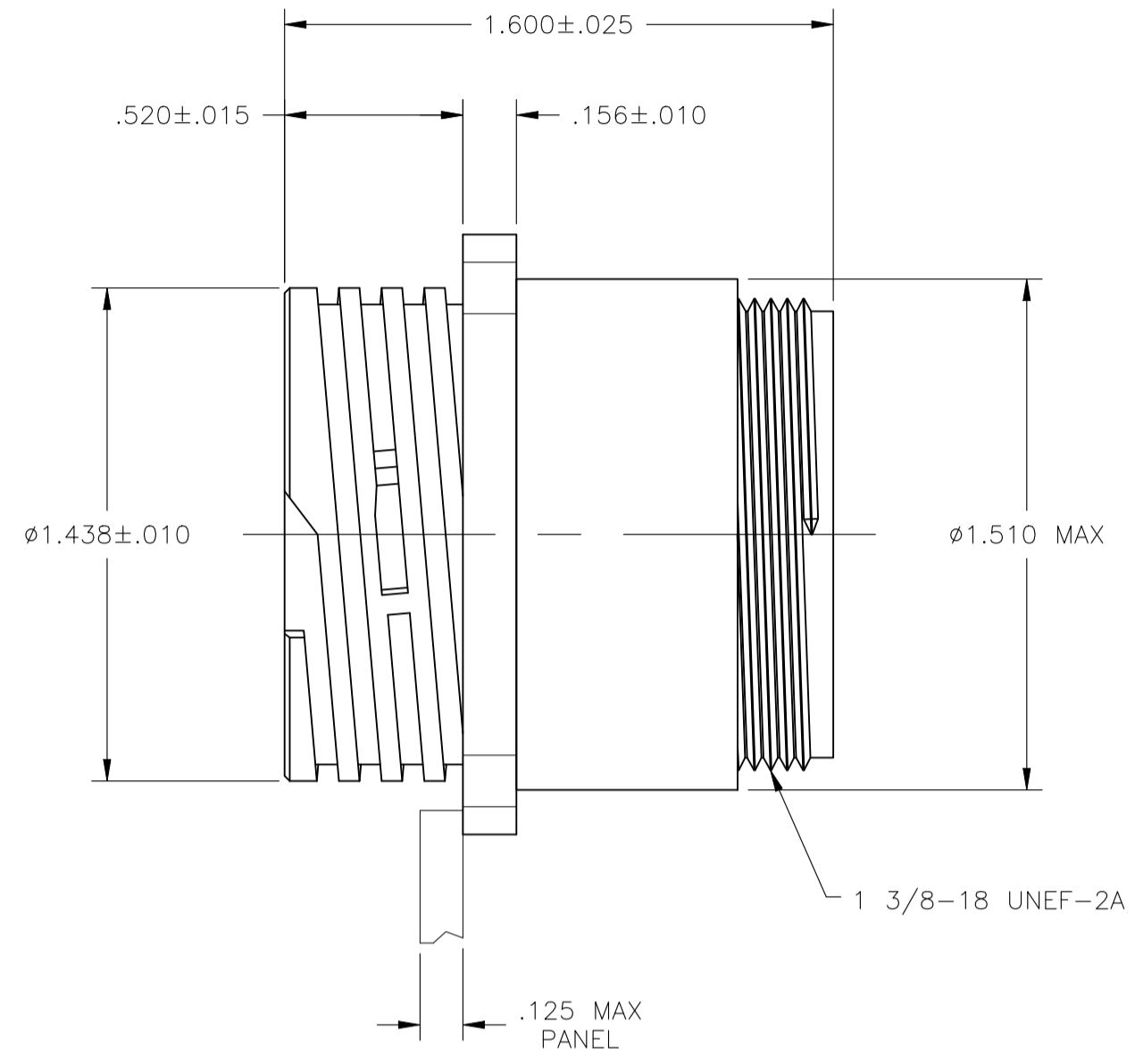
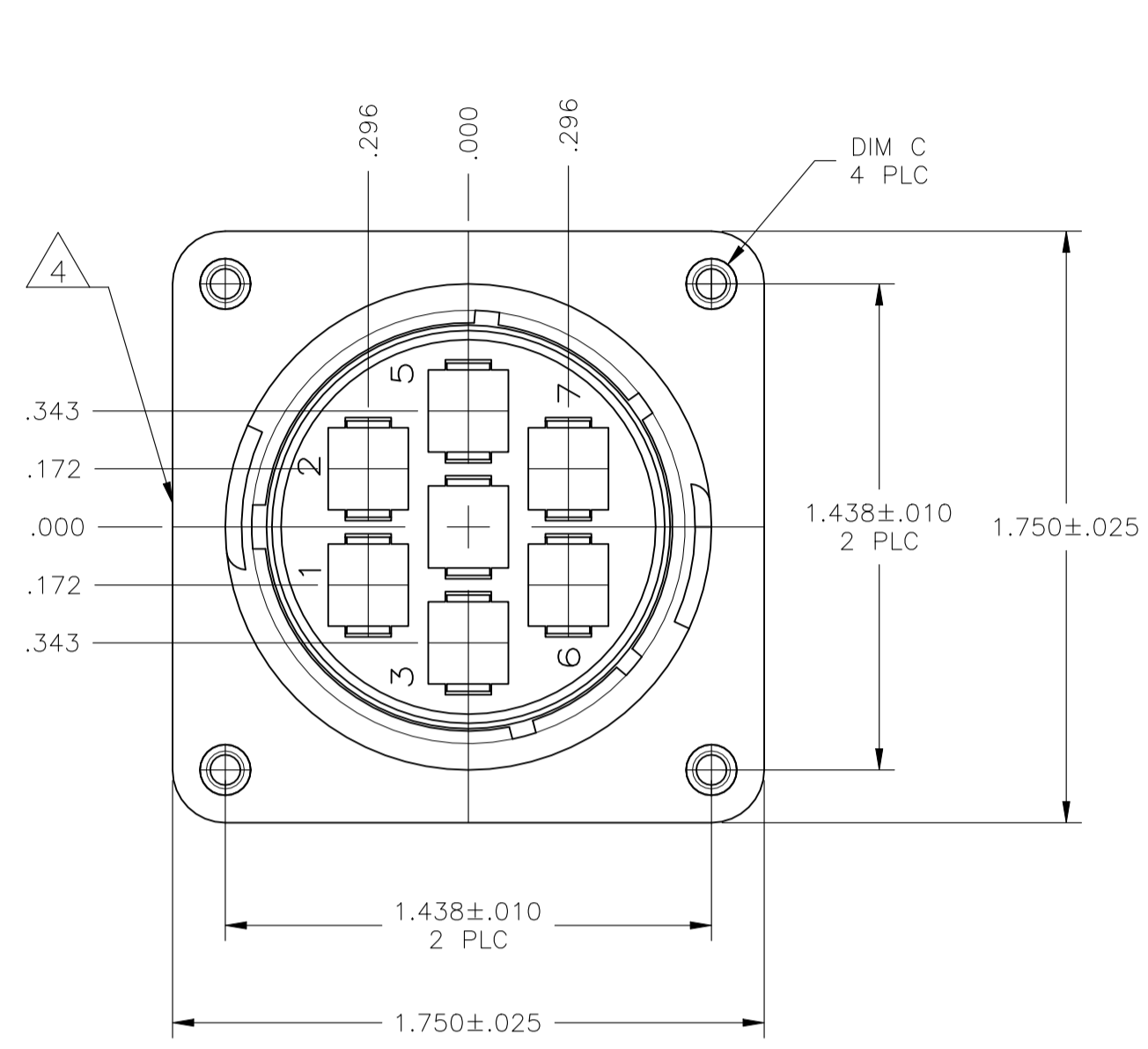


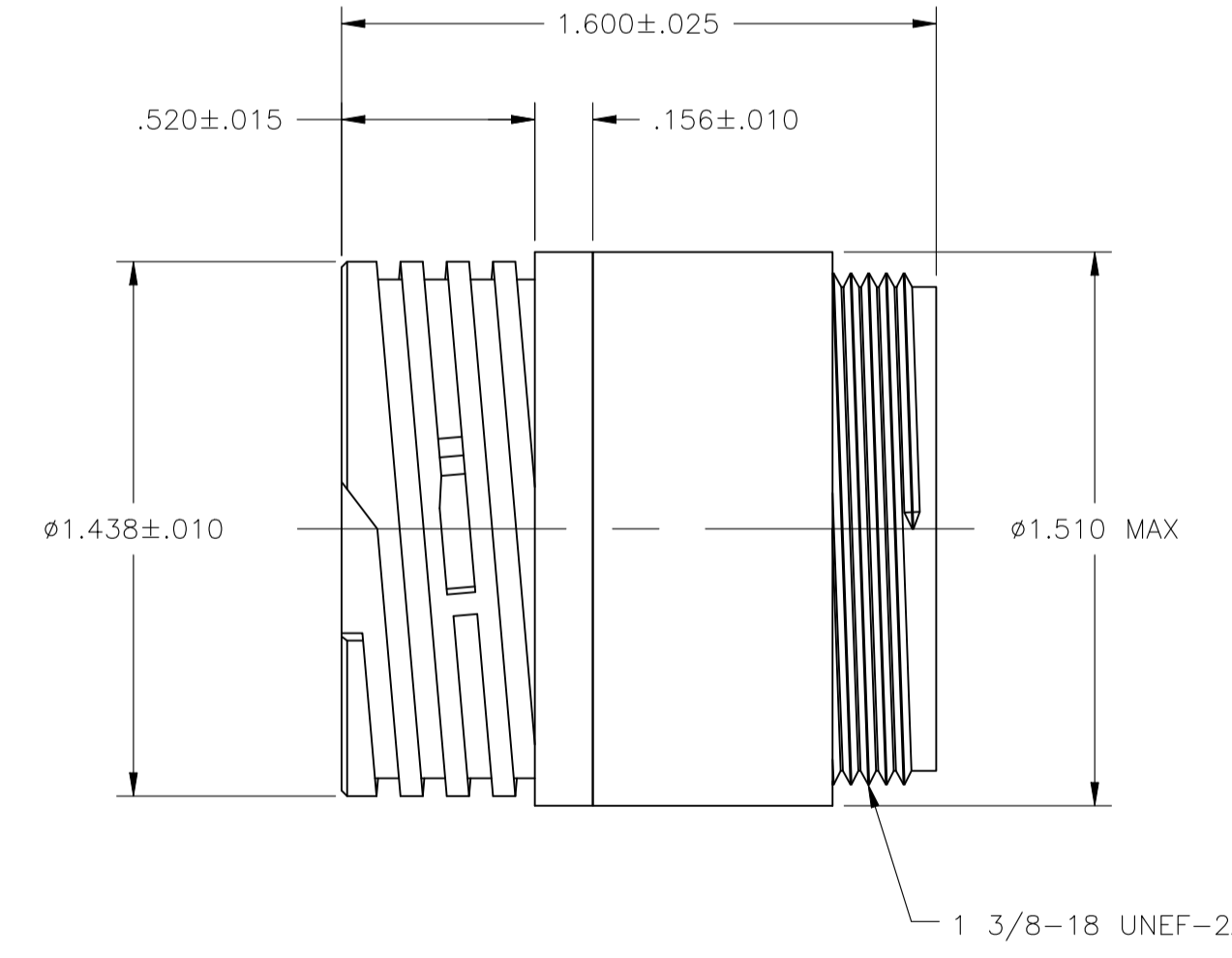
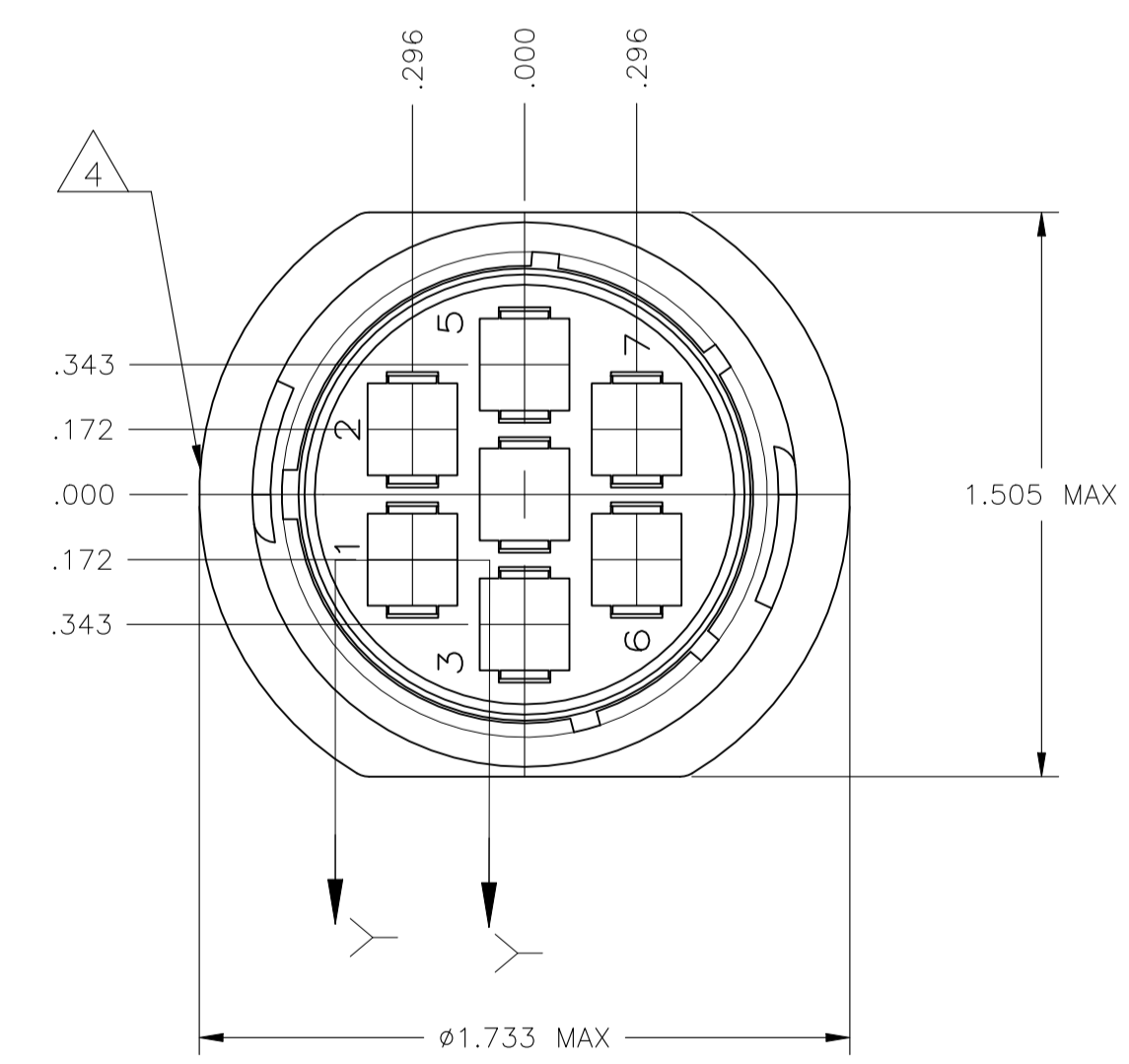
REVISIONS					
P	LTR	DESCRIPTION	DATE	DN	APVD
N		REVISED PER ECO-21-006945	27OCT2021	RK	MZ

- NOTES:**
1. CAVITY IDENTIFICATION ON FRONT AND REAR FACE.
  2. WILL ACCEPT SEVEN (7) TYPE XII PIN CONTACTS.
  3. #4 FASTENER RECOMMENDED FOR MOUNTING.
  4. TE LOGO AND PART NUMBER LOCATED ON ANY FLANGE EDGE



DETAIL A

RECOMMENDED PANEL CUTOUT



DETAIL B

4-40 THREADED INSERTS	A	206137-5
.150±.003	B	206137-2
.150±.003	A	206137-1
DIM C	SEE DETAIL	PART NUMBER

THIS DRAWING IS A CONTROLLED DOCUMENT.

DIMENSIONS: INCHES	TOLERANCES UNLESS OTHERWISE SPECIFIED:	DIN D. HARDY 05/31/94	APVD W.G. LENKER 06/07/94	NAME
0 PLC ± -	1 PLC ± -	2 PLC ± .005	3 PLC ± -	4 PLC ± -
ANGLES ± -				
MATERIAL NYLON, BLACK	FINISH -	WEIGHT -	SIZE A1	CAGE CODE 00779
CUSTOMER DRAWING		SCALE 2:1	SHEET 1 of 1	REV N

**TE** TE Connectivity

RECEPTACLE HOUSING, STANDARD SEX, SHELL SIZE 23, CPC

PRODUCT SPEC 108-10024

APPLICATION SPEC