

PLEASE CHECK WWW.MOLEX.COM FOR LATEST PART INFORMATION

Part Number: [2002141112](#)
Status: **Active**
Overview: [Application Tooling](#)
Description: Insertion Tool for QSFP-DD and BiPass 1-by-1 Cage Assembly

Documents:

[RoHS Certificate of Compliance \(PDF\)](#)

General

Product Family	Application Tooling
Series	207123
Comments	See Tooling Specification (PDF) Above
Function	Insertion
Geographic Area	Global
Level of Automation	Manual, Semi-Automatic
More Detailed Tech Information	applicationtooling@molex.com
Overview	Application Tooling
Product Name	BiPass, QSFP-DD
Tool Type	Press-Fit Insertion Tool
UPC	191128890717
Warranty Disclaimer	CAUTION: Molex tooling crimp specifications are valid only when used with Molex terminals and tooling manufactured by Molex and sold by Molex or authorized distributors ("Molex Tooling"). When using tooling other than Molex Tooling with Molex specific connector systems listed in our ATS documents, the Molex tooling qualification does not apply and the responsibility for full qualification of the connector system is that of the customer. Molex accepts no liability for connector performance or tooling support where tooling other than Molex Tooling is used or where Molex Tooling is modified.

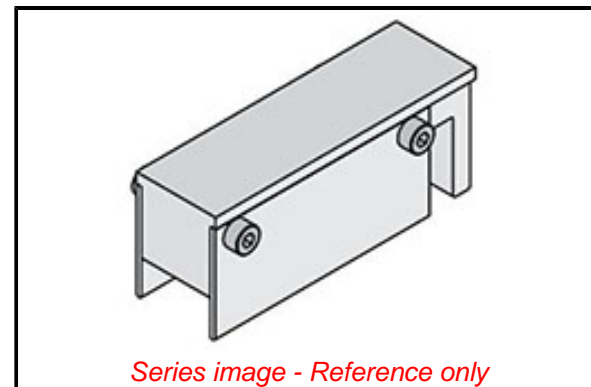
Physical

Net Weight 80.000/g

Material Info

Reference - Drawing Numbers

Application Tooling Documents 2002141112-000



Series image - Reference only

EU ELV

Not Relevant

EU RoHS

Compliant

REACH SVHC

Not Contained Per - ED/71/2019 (16 July 2019)

Halogen-Free

Status

Not Relevant

For more information, please visit [Contact US](#)

China ROHS

Not Relevant

ELV

Not Relevant

RoHS Phthalates

Not Contained

Search Parts in this Series

[207123 Series](#)

Application Tooling

FAQ

Description

Product #

BiPass 1-by-1 zQSFP+-to-NearStack (8-Differential Pair) and Pico-Clasp Cable Assembly, Open Top with Heat Sink and Lightpipe, 75.00mm Pico-Clasp / 150.00mm NearStack Cable Lengths	1111311911
BiPass 1-by-1 zQSFP+-to-NearStack (8-Differential Pair) and Pico-Clasp Cable Assembly, Open Top with Heat Sink and Lightpipe,	1111311912

75.00mm Pico-Clasp / 200.00mm NearStack Cable Lengths	
BiPass 1-by-1	<u>1111311913</u>
zQSFP+-to-NearStack (8-Differential Pair) and Pico-Clasp Cable Assembly, Open Top with Heat Sink and Lightpipe, 75.00mm Pico-Clasp / 300.00mm NearStack Cable Lengths	
BiPass 1-by-1	<u>1111311914</u>
zQSFP+-to-NearStack (8-Differential Pair) and Pico-Clasp Cable Assembly, Open Top with Heat Sink and Lightpipe, 75.00mm Pico-Clasp / 400.00mm NearStack Cable Lengths	
BiPass 1-by-1	<u>1111311915</u>
zQSFP+-to-NearStack (8-Differential Pair) and Pico-Clasp Cable Assembly, Open Top with Heat Sink and Lightpipe, 75.00mm Pico-Clasp / 500.00mm NearStack Cable Lengths	
BiPass 1-by-1	<u>1111311920</u>
zQSFP+-to-NearStack (8-Differential Pair) and Pico-Clasp Cable Assembly, Closed Top, 75.00mm Pico-Clasp / 150.00mm NearStack Cable Lengths	
BiPass 1-by-1	<u>1111311921</u>
zQSFP+-to-NearStack (8-Differential Pair) and Pico-Clasp Cable Assembly, Closed Top, 75.00mm Pico-Clasp / 200.00mm NearStack Cable Lengths	
BiPass 1-by-1	<u>1111311922</u>
zQSFP+-to-NearStack (8-Differential Pair) and Pico-Clasp Cable	

Assembly, Closed
Top, 75.00mm Pico-
Clasp / 300.00mm
NearStack Cable
Lengths
BiPass 1-by-1 1111311923
zQSFP+-to-
NearStack (8-
Differential Pair) and
Pico-Clasp Cable
Assembly, Closed
Top, 75.00mm Pico-
Clasp / 400.00mm
NearStack Cable
Lengths
BiPass 1-by-1 1111311924
zQSFP+-to-
NearStack (8-
Differential Pair) and
Pico-Clasp Cable
Assembly, Closed
Top, 75.00mm Pico-
Clasp / 500.00mm
NearStack Cable
Lengths
BiPass 1-by-1 1111311930
zQSFP+-to-
NearStack (8-
Differential Pair) and
Pico-Clasp Cable
Assembly, Closed
Top with Lightpipe,
75.00mm Pico-
Clasp / 150.00mm
NearStack Cable
Lengths
BiPass 1-by-1 1111311931
zQSFP+-to-
NearStack (8-
Differential Pair) and
Pico-Clasp Cable
Assembly, Closed
Top with Lightpipe,
75.00mm Pico-
Clasp / 200.00mm
NearStack Cable
Lengths
BiPass 1-by-1 1111311932
zQSFP+-to-
NearStack (8-
Differential Pair) and
Pico-Clasp Cable
Assembly, Closed
Top with Lightpipe,
75.00mm Pico-
Clasp / 300.00mm
NearStack Cable
Lengths
BiPass 1-by-1 1111311933
zQSFP+-to-
NearStack (8-
Differential Pair) and
Pico-Clasp Cable
Assembly, Closed
Top with Lightpipe,

75.00mm Pico-Clasp / 400.00mm NearStack Cable Lengths
BiPass 1-by-1 1111311934
zQSFP+-to-NearStack (8-Differential Pair) and Pico-Clasp Cable Assembly, Closed Top with Lightpipe, 75.00mm Pico-Clasp / 500.00mm NearStack Cable Lengths
BiPass 1-by-1 1111311940
zQSFP+-to-NearStack (8-Differential Pair) and Pico-Clasp Cable Assembly, Open Top with Heat Sink, 75.00mm Pico-Clasp / 150.00mm NearStack Cable Lengths
BiPass 1-by-1 1111311941
zQSFP+-to-NearStack (8-Differential Pair) and Pico-Clasp Cable Assembly, Open Top with Heat Sink, 75.00mm Pico-Clasp / 200.00mm NearStack Cable Lengths
BiPass 1-by-1 1111311942
zQSFP+-to-NearStack (8-Differential Pair) and Pico-Clasp Cable Assembly, Open Top with Heat Sink, 75.00mm Pico-Clasp / 300.00mm NearStack Cable Lengths
BiPass 1-by-1 1111311943
zQSFP+-to-NearStack (8-Differential Pair) and Pico-Clasp Cable Assembly, Open Top with Heat Sink, 75.00mm Pico-Clasp / 400.00mm NearStack Cable Lengths
BiPass 1-by-1 1111311944
zQSFP+-to-NearStack (8-Differential Pair) and Pico-Clasp Cable Assembly, Open

Top with Heat Sink,
75.00mm Pico-
Clasp / 500.00mm
NearStack Cable
Lengths
QSFP-DD Cage [2031431243](#)
Assembly, 1-by-1,
Closed Top, Spring
Fingers, No Rear
Legs, with Press-Fit
Pins
QSFP-DD Cage [2031431244](#)
Assembly, 1-by-1,
Closed Top, Spring
Fingers, One Rear
Leg, with Press-Fit
Pins
QSFP-DD Cage [2031431254](#)
Assembly, 1-by-1,
Open Top, Spring
Fingers, No Rear
Legs, with Press-Fit
Pins
QSFP-DD Cage [2031431255](#)
Assembly, 1-by-1,
Open Top, Spring
Fingers, One Rear
Leg, with Press-Fit
Pins
QSFP-DD Cage [2031431256](#)
Assembly, 1-by-1,
Open Top, Spring
Fingers, Two Rear
Legs, with Press-Fit
Pins
QSFP-DD Cage [2031431349](#)
Assembly, 1-by-1,
PCI Fin Heat Sink,
Spring Fingers, No
Rear Legs, with
Press-Fit Pins
QSFP-DD Cage [2031431350](#)
Assembly, 1-by-1,
SAN Fin Heat Sink,
Spring Fingers, No
Rear Legs, with
Press-Fit Pins
QSFP-DD Cage [2031431351](#)
Assembly, 1-by-1,
NET Fin Heat Sink,
Spring Fingers, No
Rear Legs, with
Press-Fit Pins
QSFP-DD Cage [2031431352](#)
Assembly, 1-by-1,
PCI Fin Heat Sink,
Spring Fingers,
One Rear Leg, with
Press-Fit Pins
QSFP-DD Cage [2031431353](#)
Assembly, 1-by-1,
SAN Fin Heat Sink,
Spring Fingers,
One Rear Leg, with
Press-Fit Pins

QSFP-DD Cage Assembly, 1-by-1, NET Fin Heat Sink, Spring Fingers, One Rear Leg, with Press-Fit Pins	<u>2031431354</u>
QSFP-DD Cage Assembly, 1-by-1, PCI Fin Heat Sink, Spring Fingers, Two Rear Legs, with Press-Fit Pins	<u>2031431355</u>
QSFP-DD Cage Assembly, 1-by-1, SAN Fin Heat Sink, Spring Fingers, Two Rear Legs, with Press-Fit Pins	<u>2031431356</u>
QSFP-DD Cage Assembly, 1-by-1, NET Fin Heat Sink, Spring Fingers, Two Rear Legs, with Press-Fit Pins	<u>2031431357</u>
BiPass 1-by-1 zQSFP+-to- NearStack (8- Differential Pair) Cable Assembly, Open Top with Heat Sink, Top Mount, 150.00mm Cable Length	<u>2084261002</u>
BiPass 1-by-1 zQSFP+-to- NearStack (8- Differential Pair) Cable Assembly, Open Top with Heat Sink, Top Mount, 200.00mm Cable Length	<u>2084261003</u>
BiPass 1-by-1 zQSFP+-to- NearStack (8- Differential Pair) Cable Assembly, Open Top with Heat Sink, Top Mount, 300.00mm Cable Length	<u>2084261004</u>
BiPass 1-by-1 zQSFP+-to- NearStack (8- Differential Pair) Cable Assembly, Open Top with Heat Sink, Top Mount, 400.00mm Cable Length	<u>2084261005</u>
BiPass 1-by-1 zQSFP+-to- NearStack (8- Differential Pair) Cable Assembly,	<u>2084261006</u>

Open Top with Heat Sink, Top Mount, 450.00mm Cable Length	
BiPass 1-by-1	<u>2084261007</u>
zQSFP+-to-NearStack (8-Differential Pair) Cable Assembly, Open Top with Heat Sink, Top Mount, 500.00mm Cable Length	
BiPass 1-by-1	<u>2084261502</u>
zQSFP+-to-NearStack (8-Differential Pair) Cable Assembly, Open Top with Heat Sink, Bottom Mount (for Belly-to-Belly Configurations), 150.00mm Cable Length	
BiPass 1-by-1	<u>2084261503</u>
zQSFP+-to-NearStack (8-Differential Pair) Cable Assembly, Open Top with Heat Sink, Bottom Mount (for Belly-to-Belly Configurations), 200.00mm Cable Length	
BiPass 1-by-1	<u>2084261504</u>
zQSFP+-to-NearStack (8-Differential Pair) Cable Assembly, Open Top with Heat Sink, Bottom Mount (for Belly-to-Belly Configurations), 300.00mm Cable Length	
BiPass 1-by-1	<u>2084261505</u>
zQSFP+-to-NearStack (8-Differential Pair) Cable Assembly, Open Top with Heat Sink, Bottom Mount (for Belly-to-Belly Configurations), 400.00mm Cable Length	
BiPass 1-by-1	<u>2084261506</u>
zQSFP+-to-NearStack (8-Differential Pair) Cable Assembly, Open Top with Heat Sink, Bottom Mount (for Belly-to-Belly	

Configurations),
450.00mm Cable
Length
BiPass 1-by-1 2084261507
zQSFP+-to-
NearStack (8-
Differential Pair)
Cable Assembly,
Open Top with Heat
Sink, Bottom Mount
(for Belly-to-Belly
Configurations),
500.00mm Cable
Length
BiPass 1-by-1 2084731002
QSFP-DD-to-2
NearStack (8-
Differential Pair)
Cable Assembly,
Open Top with Heat
Sink, Top Mount,
150.00mm Cable
Length
BiPass 1-by-1 2084731003
QSFP-DD-to-2
NearStack (8-
Differential Pair)
Cable Assembly,
Open Top with Heat
Sink, Top Mount,
200.00mm Cable
Length
BiPass 1-by-1 2084731004
QSFP-DD-to-2
NearStack (8-
Differential Pair)
Cable Assembly,
Open Top with Heat
Sink, Top Mount,
300.00mm Cable
Length
BiPass 1-by-1 2084731005
QSFP-DD-to-2
NearStack (8-
Differential Pair)
Cable Assembly,
Open Top with Heat
Sink, Top Mount,
400.00mm Cable
Length
BiPass 1-by-1 2084731006
QSFP-DD-to-2
NearStack (8-
Differential Pair)
Cable Assembly,
Open Top with Heat
Sink, Top Mount,
450.00mm Cable
Length
BiPass 1-by-1 2084731007
QSFP-DD-to-2
NearStack (8-
Differential Pair)
Cable Assembly,
Open Top with Heat

Sink, Top Mount, 500.00mm Cable Length	
BiPass 1-by-1	<u>2084731502</u>
QSFP-DD-to-2 NearStack (8- Differential Pair) Cable Assembly, Open Top with Heat Sink, Bottom Mount (for Belly-to-Belly Configurations), 150.00mm Cable Length	
BiPass 1-by-1	<u>2084731503</u>
QSFP-DD-to-2 NearStack (8- Differential Pair) Cable Assembly, Open Top with Heat Sink, Bottom Mount (for Belly-to-Belly Configurations), 200.00mm Cable Length	
BiPass 1-by-1	<u>2084731504</u>
QSFP-DD-to-2 NearStack (8- Differential Pair) Cable Assembly, Open Top with Heat Sink, Bottom Mount (for Belly-to-Belly Configurations), 300.00mm Cable Length	
BiPass 1-by-1	<u>2084731505</u>
QSFP-DD-to-2 NearStack (8- Differential Pair) Cable Assembly, Open Top with Heat Sink, Bottom Mount (for Belly-to-Belly Configurations), 400.00mm Cable Length	
BiPass 1-by-1	<u>2084731506</u>
QSFP-DD-to-2 NearStack (8- Differential Pair) Cable Assembly, Open Top with Heat Sink, Bottom Mount (for Belly-to-Belly Configurations), 450.00mm Cable Length	
BiPass 1-by-1	<u>2084731507</u>
QSFP-DD-to-2 NearStack (8- Differential Pair) Cable Assembly, Open Top with Heat Sink, Bottom Mount	

(for Belly-to-Belly Configurations),
500.00mm Cable Length
BiPass 1-by-1 2093511002
QSFP-DD-to-NearStack (16-Differential Pair)
Cable Assembly, Open Top with Heat Sink, Top Mount,
150.00mm Cable Length
BiPass 1-by-1 2093511003
QSFP-DD-to-NearStack (16-Differential Pair)
Cable Assembly, Open Top with Heat Sink, Top Mount,
200.00mm Cable Length
BiPass 1-by-1 2093511004
QSFP-DD-to-NearStack (16-Differential Pair)
Cable Assembly, Open Top with Heat Sink, Top Mount,
300.00mm Cable Length
BiPass 1-by-1 2093511005
QSFP-DD-to-NearStack (16-Differential Pair)
Cable Assembly, Open Top with Heat Sink, Top Mount,
400.00mm Cable Length
BiPass 1-by-1 2093511006
QSFP-DD-to-NearStack (16-Differential Pair)
Cable Assembly, Open Top with Heat Sink, Top Mount,
450.00mm Cable Length
BiPass 1-by-1 2093511007
QSFP-DD-to-NearStack (16-Differential Pair)
Cable Assembly, Open Top with Heat Sink, Top Mount,
500.00mm Cable Length
BiPass 1-by-1 2093511502
QSFP-DD-to-NearStack (16-Differential Pair)
Cable Assembly, Open Top with Heat Sink, Bottom Mount

(for Belly-to-Belly Configurations), 150.00mm Cable Length	
BiPass 1-by-1	<u>2093511503</u>
QSFP-DD-to-NearStack (16-Differential Pair) Cable Assembly, Open Top with Heat Sink, Bottom Mount (for Belly-to-Belly Configurations), 200.00mm Cable Length	
BiPass 1-by-1	<u>2093511504</u>
QSFP-DD-to-NearStack (16-Differential Pair) Cable Assembly, Open Top with Heat Sink, Bottom Mount (for Belly-to-Belly Configurations), 300.00mm Cable Length	
BiPass 1-by-1	<u>2093511505</u>
QSFP-DD-to-NearStack (16-Differential Pair) Cable Assembly, Open Top with Heat Sink, Bottom Mount (for Belly-to-Belly Configurations), 400.00mm Cable Length	
BiPass 1-by-1	<u>2093511506</u>
QSFP-DD-to-NearStack (16-Differential Pair) Cable Assembly, Open Top with Heat Sink, Bottom Mount (for Belly-to-Belly Configurations), 450.00mm Cable Length	
BiPass 1-by-1	<u>2093511507</u>
QSFP-DD-to-NearStack (16-Differential Pair) Cable Assembly, Open Top with Heat Sink, Bottom Mount (for Belly-to-Belly Configurations), 500.00mm Cable Length	