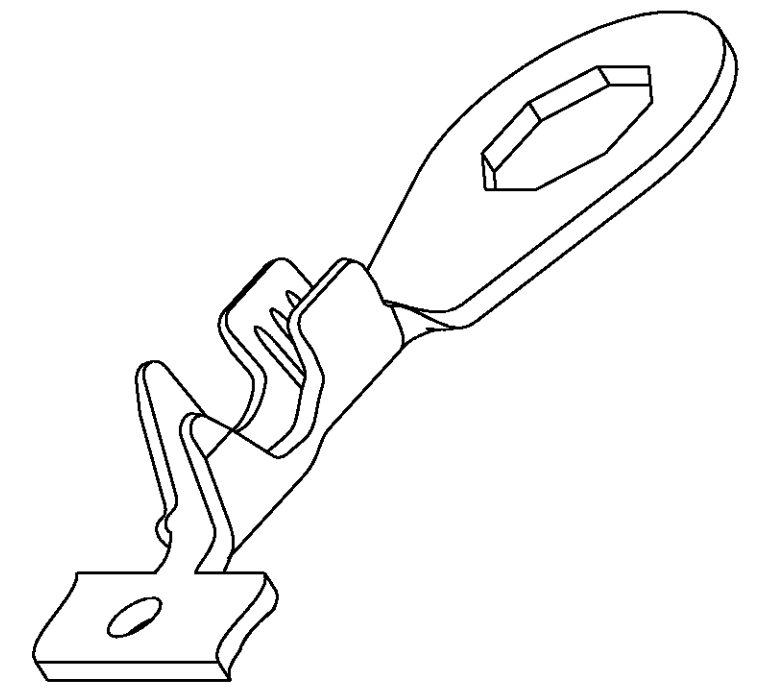
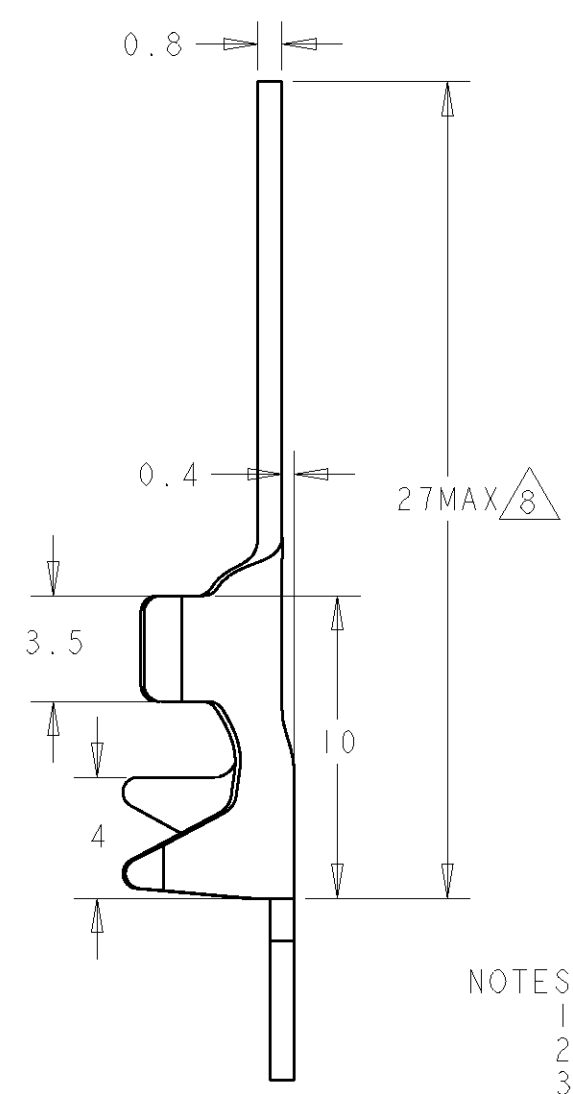
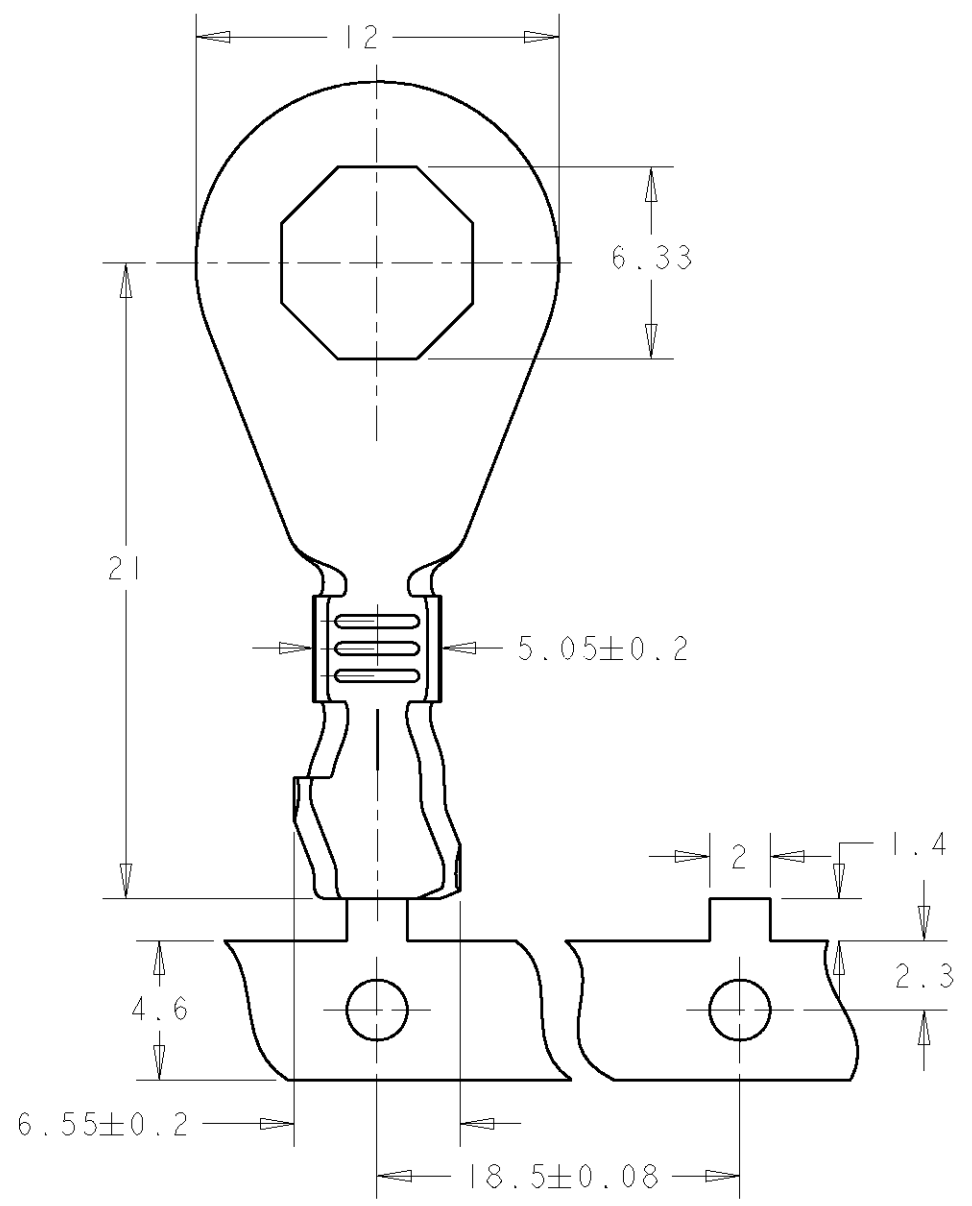


THIS DRAWING IS UNPUBLISHED. RELEASED FOR PUBLICATION 20
 © COPYRIGHT 20 BY TYCO ELECTRONICS CORPORATION. ALL RIGHTS RESERVED.

LOC	DIST	REVISIONS				
P	LTR	DESCRIPTION	DATE	DWN	APVD	
ES	00					
	A	RELEASED	06DEC07	B.W	K.O	
	B	ECR-08-007888	24MAR08	B.W	K.O	

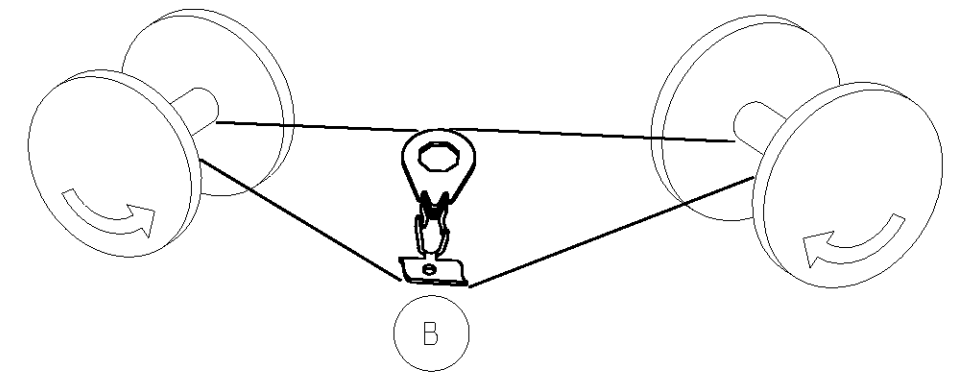


- NOTES:
- 1.TOLERANCE OF WORKPIECE EDGES ACCORDING TO DIN/ISO 13715.
 - 2.MATERIAL:CuZn30 R410 ENI654.
 - 3.SURFACE:ELECTROPLATED 1.2 TO 3.5MICRON TIN.
 - 4.WIRE CONDUCTOR CROSS SECTION:2.5 SQUARE MILLIMETER.
 - 5.TYCO ELECTRONICS PART No.:1813569-1.
 - 6.CUSTOMER PART No.:8672003266.
 - 7.TOLERANCE UNLESS OTHERWISE SPECIFIED.

DIMENSIONAL RANGE(mm)	TOLERANCE
0 TO 12	±0.1
>12	±0.2
ANGLES	±2°

8 AFTER CUT AS LOOSE PIECE THE 27MAX MUST BE SPECIFIED.

SIDE FEED
 AFTER PLATING AFTER STAMPING



THIS DRAWING IS A CONTROLLED DOCUMENT FOR TYCO ELECTRONICS CORPORATION IT IS SUBJECT TO CHANGE AND THE CONTROLLING ENGINEERING ORGANIZATION SHOULD BE CONTACTED FOR THE LATEST REVISION.		DWN B.WAN 06DEC07	Tyco Electronics Shanghai, China	
DIMENSIONS: mm		CHK L.YIN 06DEC07	NAME TERMINAL WRG HARN	
TOLERANCES UNLESS OTHERWISE SPECIFIED: 0 PLC ±- 1 PLC ±0.1 2 PLC ±0.01 3 PLC ±0.001 4 PLC ±0.0001 ANGLES ±- FINISH -		APVD K.ODA 06DEC07	RESTRICTED TO	
MATERIAL -		PRODUCT SPEC -	SIZE A3	CAGE CODE 00779
		APPLICATION SPEC -	DRAWING NO C-1813569	
		WEIGHT -	SCALE 4:1	
		CUSTOMER DRAWING	SHEET 1 OF 1 REV B	