



Phoenix Contact Inc.
P.O. BOX 4100
Harrisburg, PA 17111-0100
Phone: 717-944-1300
Fax: 717-944-1625

Product Change Notification

PCN-FDC-876-2017

Business Unit	Product Line Code	Type of Change	Action	Date of Issue
FDC - Field Device Connectors	ABN	Product Change Notification	Notify Distributors and Field	9/1/2017

The following Phoenix Contact products have been modified. Existing specifications will be met or exceeded. Please review and acknowledge this document and inform your personnel as needed.

Description for Product Change Notification

Due to an adjustment in the manufacturing process the following modifications have been made:

- printing on contact inserts omitted
- plastic collar of the insulating body omitted
- angle length changed
- connector face repositioned
- modifications on threads
- insulating body color changed

Stock Status

Can existing stock still be used? Yes

Is mixture of stock acceptable? No

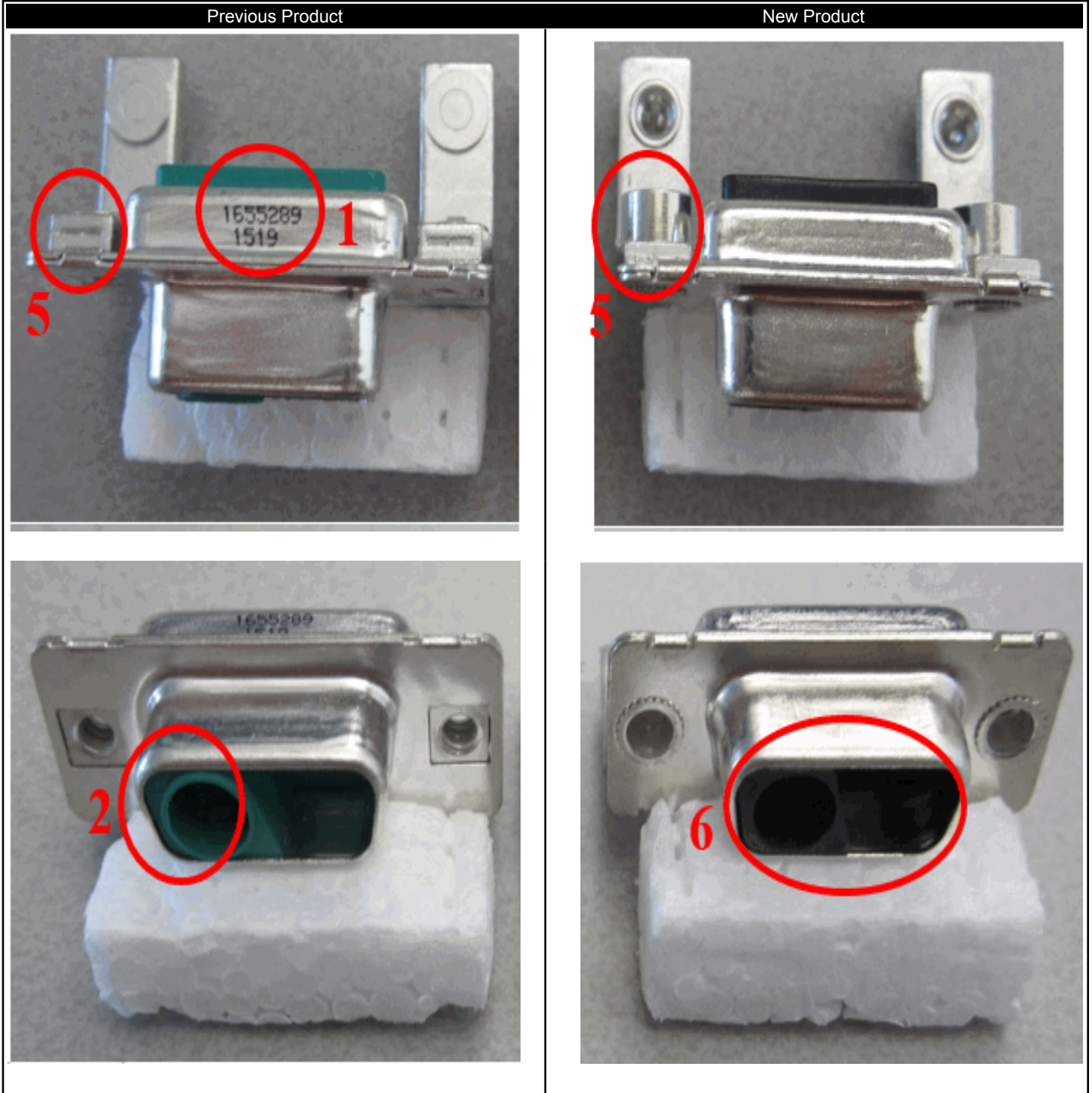
Transaction Dates

Date modification goes into effect from Germany: 12/16/2016

Expected first shipment (from Phoenix Contact) of the modified products(s): 7/1/2017



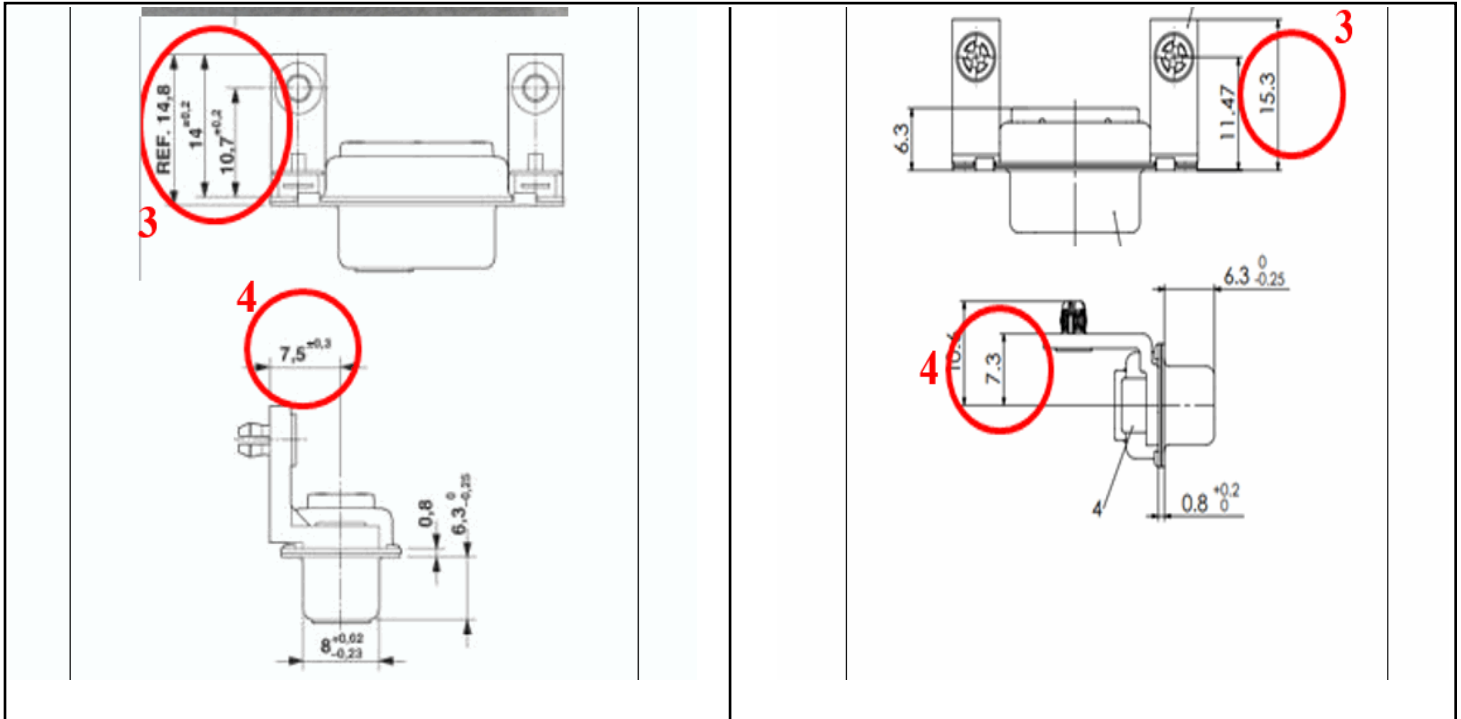
Product Change Notification





Phoenix Contact Inc.
P.O. BOX 4100
Harrisburg, PA 17111-0100
Phone: 717-944-1300
Fax: 717-944-1625

Product Change Notification



Should you have any issues with the timeline or content of this product change, please contact Phoenix Contact using the information below. Customers should acknowledge receipt of the PCN within 30 days of delivery of the PCN; provided, however, that the failure to acknowledge receipt does not affect the product change or the effective date thereof.

Contact Info:

Andrew Bogaczyk
abogaczyk@phoenixcon.com

Thank you,

Lyndsey Walling

Product Marketing Manager, Field Connectivity



Phoenix Contact Inc.
P.O. BOX 4100
Harrisburg, PA 17111-0100
Phone: 717-944-1300
Fax: 717-944-1625

Product Change Notification

Part #	Type Description
1655292	VS-09-ST-DSUB-2P-LH
1655289	VS-09-BU-DSUB-2P-LH