

PART No. MATRIX

E 2 6 E 0 6 0 2 1 M X X X X

E=ETHERNET/
Ethernet

HEADS:
2 = M12 x Coding
6 = RJ45

HEADS STYLE:
060 = MALE STR / MALE STR

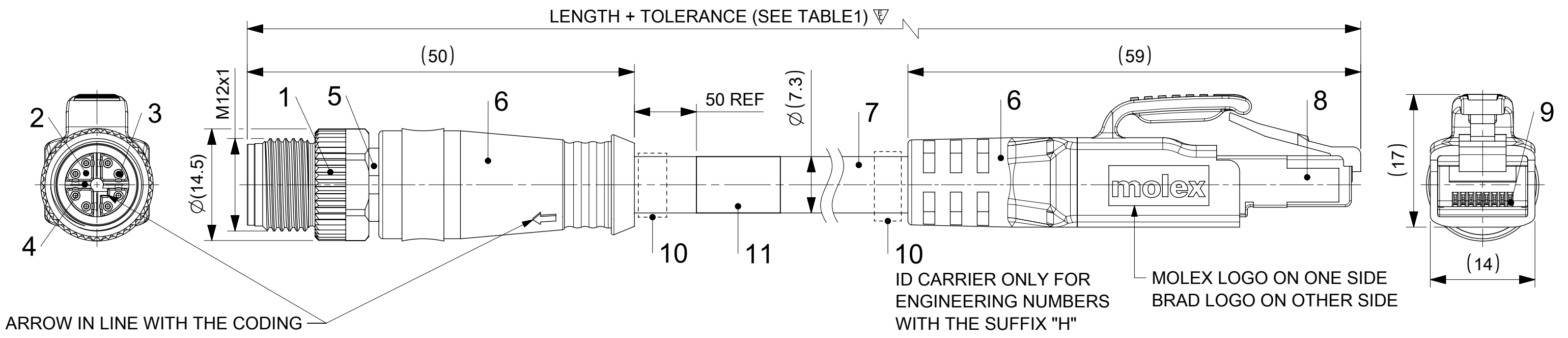
WIRING TYPE:
E=8 Pole (STRAIGHT WIRED)

CABLE TYPE :
CABLE 21

UNITS:
M= METER
T= 10xMETER

LENGTH EXAMPLES:
005=0.5 m
010=1 m
150=15 m
T100=100 m

H= 2 PCS. OF I/D Carrier

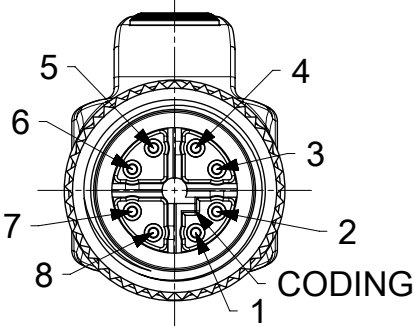


ARROW IN LINE WITH THE CODING
BRAD LOGO ON OTHER SIDE

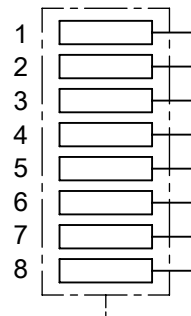
ID CARRIER ONLY FOR
ENGINEERING NUMBERS
WITH THE SUFFIX "H"

MOLEX LOGO ON ONE SIDE
BRAD LOGO ON OTHER SIDE

M12 X-CODE
MALE
FRONT VIEW



M12 X-CODE
MALE

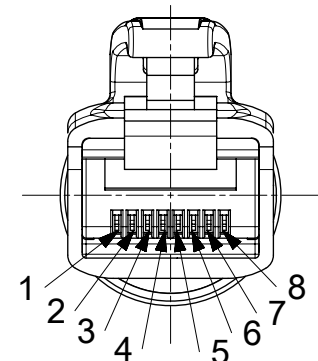


WIRING DIAGRAM

WHITE-ORANGE OR WHITE
ORANGE
WHITE-GREEN OR WHITE
GREEN
WHITE-BROWN OR WHITE
BROWN
WHITE-BLUE OR WHITE
BLUE

RJ45 PLUG

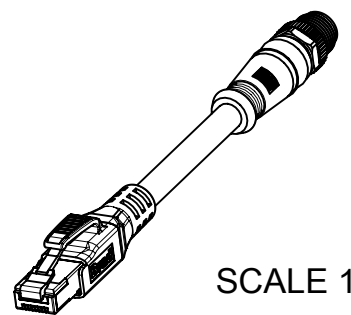
RJ45 PLUG
FRONT VIEW



SHIELD CONNECTED TO COUPLER/HOUSING

BILL OF MATERIAL

ITEM	QTY	DESCRIPTION	MATERIAL	FINISH/COLOR
1	1	COUPLING NUT	BRASS	Ni PLATED
2	1	INSERT	PA	BLACK
3	8	CONTACT M12 XC MALE	BRASS	Au PLATED
4	1	SHIELDING CROSS	Zn DIE-CAST	-
5	1	SHIELDING SHELL	BRASS	Ni PLATED
6	-	OVERMOULD	TPU	BLACK
7	1	CABLE 4X(2X AWG26/7) CAT 7	TPE	GREEN
8	1	PLUG RJ45	-	-
9	8	CONTACT RJ45	PHOSPHOR BRONZE	SELECTIVE Au PLATED
10	SEE PN MATRIX	ID CARRIER	PVC	TRANSPARENT
11	1	LABEL 2.0X1.75	VINYL	YELLOW



SCALE 1:2

FUNCTIONAL SYMBOLS	THIS DRAWING CONTAINS INFORMATION THAT IS PROPRIETARY TO MOLEX ELECTRONIC TECHNOLOGIES, LLC AND SHOULD NOT BE USED WITHOUT WRITTEN PERMISSION	CURRENT REV DESC: NOTE CHANGED																													
	<table border="1"> <tr> <th>FUNCTIONAL SYMBOLS</th> <th>DIMENSION UNITS</th> <th>SCALE</th> </tr> <tr> <td>$\nabla/A = 0$</td> <td>mm</td> <td>2:1</td> </tr> <tr> <td>$\nabla/E = 1$</td> <td colspan="2">GENERAL TOLERANCES (UNLESS SPECIFIED)</td> </tr> <tr> <td>$\nabla/F = 0$</td> <td colspan="2">ANGULAR TOL $\pm 1.0^\circ$</td> </tr> <tr> <td></td> <td>4 PLACES</td> <td>\pm</td> </tr> <tr> <td></td> <td>3 PLACES</td> <td>\pm</td> </tr> <tr> <td></td> <td>2 PLACES</td> <td>± 0.05</td> </tr> <tr> <td></td> <td>1 PLACE</td> <td>± 0.3</td> </tr> <tr> <td></td> <td>0 PLACES</td> <td>± 0.5</td> </tr> </table>	FUNCTIONAL SYMBOLS	DIMENSION UNITS			SCALE	$\nabla/A = 0$	mm	2:1	$\nabla/E = 1$	GENERAL TOLERANCES (UNLESS SPECIFIED)		$\nabla/F = 0$	ANGULAR TOL $\pm 1.0^\circ$			4 PLACES	\pm		3 PLACES	\pm		2 PLACES	± 0.05		1 PLACE	± 0.3		0 PLACES	± 0.5	EC NO: 692351 DRWN: ARPITT CHK'D: RSILLER APPR: RSILLER 2022/01/19 2022/01/25 2022/01/25
FUNCTIONAL SYMBOLS	DIMENSION UNITS	SCALE																													
$\nabla/A = 0$	mm	2:1																													
$\nabla/E = 1$	GENERAL TOLERANCES (UNLESS SPECIFIED)																														
$\nabla/F = 0$	ANGULAR TOL $\pm 1.0^\circ$																														
	4 PLACES	\pm																													
	3 PLACES	\pm																													
	2 PLACES	± 0.05																													
	1 PLACE	± 0.3																													
	0 PLACES	± 0.5																													
DIVISIONAL SYMBOLS	DRAFT WHERE APPLICABLE MUST REMAIN WITHIN DIMENSIONS		THIRD ANGLE PROJECTION 		PRODUCT CUSTOMER DRAWING DOCUMENT NUMBER 1203410874 DOC TYPE PSD DOC PART 000 REVISION A3																										
EC NO: 692351 DRWN: RSCHEBER APPR: RSILLER 2019/05/14 2021/03/16		DRAWING A3-SIZE	SERIES 120341	MATERIAL NUMBER SEE TABLE 1	CUSTOMER GENERAL MARKET																										
DOCUMENT STATUS P1 RELEASE DATE 2022/01/25 10:26:26		SHEET NUMBER 1 OF 2																													


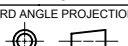
TABLE 1

MOLEX P/N	ENGINEERING NO.	DESCRIPTION	LENGTH
1203410874	E26E06021M005	M12 CAT6A M/RJ45 ST/ST TPE GREEN	500
1203410875	E26E06021M010	M12 CAT6A M/RJ45 ST/ST TPE GREEN	1000
1203410876	E26E06021M020	M12 CAT6A M/RJ45 ST/ST TPE GREEN	2000
1203410877	E26E06021M030	M12 CAT6A M/RJ45 ST/ST TPE GREEN	3000
1203410878	E26E06021M040	M12 CAT6A M/RJ45 ST/ST TPE GREEN	4000
1203410879	E26E06021M050	M12 CAT6A M/RJ45 ST/ST TPE GREEN	5000
1203410880	E26E06021M060	M12 CAT6A M/RJ45 ST/ST TPE GREEN	6000
1203410897	E26E06021M070	M12 CAT6A M/RJ45 ST/ST TPE GREEN	7000
1203410881	E26E06021M080	M12 CAT6A M/RJ45 ST/ST TPE GREEN	8000
1203410898	E26E06021M090	M12 CAT6A M/RJ45 ST/ST TPE GREEN	9000
1203410882	E26E06021M100	M12 CAT6A M/RJ45 ST/ST TPE GREEN	10000
1203410883	E26E06021M150	M12 CAT6A M/RJ45 ST/ST TPE GREEN	15000
1203410884	E26E06021M200	M12 CAT6A M/RJ45 ST/ST TPE GREEN	20000
WITH ID CARRIER			
1203411039	E26E06021M010H	M12 CAT6A M/RJ45 ST/ST TPE GREEN ID	1000
1203411040	E26E06021M020H	M12 CAT6A M/RJ45 ST/ST TPE GREEN ID	2000
1203411041	E26E06021M030H	M12 CAT6A M/RJ45 ST/ST TPE GREEN ID	3000
1203411042	E26E06021M040H	M12 CAT6A M/RJ45 ST/ST TPE GREEN ID	4000
1203411043	E26E06021M050H	M12 CAT6A M/RJ45 ST/ST TPE GREEN ID	5000
1203411095	E26E06021M060H	M12 CAT6A M/RJ45 ST/ST TPE GREEN ID	6000
1203411097	E26E06021M080H	M12 CAT6A M/RJ45 ST/ST TPE GREEN ID	8000
1203411096	E26E06021M070H	M12 CAT6A M/RJ45 ST/ST TPE GREEN ID	7000
1203411004	E26E06021M100H	M12 CAT6A M/RJ45 ST/ST TPE GREEN ID	10000
1203411098	E26E06021M120H	M12 CAT6A M/RJ45 ST/ST TPE GREEN ID	12000
1203411005	E26E06021M150H	M12 CAT6A M/RJ45 ST/ST TPE GREEN ID	15000
1203411044	E26E06021M200H	M12 CAT6A M/RJ45 ST/ST TPE GREEN ID	20000
1203411099	E26E06021M250H	M12 CAT6A M/RJ45 ST/ST TPE GREEN ID	25000
1203411045	E26E06021M300H	M12 CAT6A M/RJ45 ST/ST TPE GREEN ID	30000
1203411046	E26E06021M350H	M12 CAT6A M/RJ45 ST/ST TPE GREEN ID	35000
1203411047	E26E06021M400H	M12 CAT6A M/RJ45 ST/ST TPE GREEN ID	40000
1203410989	E26E06021M450H	M12 CAT6A M/RJ45 ST/ST TPE GREEN ID	45000
1203411048	E26E06021M500H	M12 CAT6A M/RJ45 ST/ST TPE GREEN ID	50000
1203411049	E26E06021M550H	M12 CAT6A M/RJ45 ST/ST TPE GREEN ID	55000
1203410990	E26E06021M600H	M12 CAT6A M/RJ45 ST/ST TPE GREEN ID	60000
1203410991	E26E06021M650H	M12 CAT6A M/RJ45 ST/ST TPE GREEN ID	65000
1203410992	E26E06021M700H	M12 CAT6A M/RJ45 ST/ST TPE GREEN ID	70000
1203411050	E26E06021M750H	M12 CAT6A M/RJ45 ST/ST TPE GREEN ID	75000
1203410993	E26E06021M800H	M12 CAT6A M/RJ45 ST/ST TPE GREEN ID	80000
1203410994	E26E06021M850H	M12 CAT6A M/RJ45 ST/ST TPE GREEN ID	85000

NOTES:
 VOLTAGE RATING: 30 V A.C. OR 42 V D.C.
 CURRENT RATING: 0.5 A
 TEMPERATURE RATING:
 STATIC: -40 °C TO 80 °C
 DYNAMIC: -25 °C TO 80 °C
 IP RATING:
 M12 SIDE IP 67 (IN MATED AND LOCKED CONDITION)
 RJ45 SIDE IP 20
 TRANSMISSION CHARACTERISTICS ACCORDING TO ISO/IEC 11801 CLASS E_A CHANNEL,
 WITH INSERTION LOSS BEING IGNORED FOR CABLE LENGTHS <1 m OR >65 m
 PACKAGING: CORDSETS ARE PACKED IN A POLYBAG

CABLE LENGTH TOLERANCES

LENGTH	TOLERANCE
0 m - 1 m	+40 mm
>1 m - 5 m	+60 mm
>5 m - 10 m	+80 mm
>10 m - 20 m	+140 mm
>20 m - 30 m	+160 mm
>30 m	+1% length

FUNCTIONAL SYMBOLS	THIS DRAWING CONTAINS INFORMATION THAT IS PROPRIETARY TO MOLEX ELECTRONIC TECHNOLOGIES, LLC AND SHOULD NOT BE USED WITHOUT WRITTEN PERMISSION		CURRENT REV DESC: NOTE CHANGED		
▽/A = 0	DIMENSION UNITS	SCALE	 CSE M12 CAT6A RJ45 8P MA STR TPE XM SHLD PRODUCT CUSTOMER DRAWING		
▽/E = 0	mm	1:1			
▽/P = 0	GENERAL TOLERANCES (UNLESS SPECIFIED)				
DIVISIONAL SYMBOLS	ANGULAR TOL ± 1.0 °		EC NO: 692351		
	4 PLACES ±		DRWN: ARPITT	2022/01/19	
	3 PLACES ±		CHK'D: RSILLER	2022/01/25	
	2 PLACES ± 0.05		APPR: RSILLER	2022/01/25	
1 PLACE ± 0.3	INITIAL REVISION:		DOCUMENT NUMBER		
0 PLACES ± 0.5	DRWN: RSCHEBER		2019/05/14	1203410874	
DRAFT WHERE APPLICABLE MUST REMAIN WITHIN DIMENSIONS		THIRD ANGLE PROJECTION	DRAWING	SERIES	MATERIAL NUMBER
			A3-SIZE	120341	SEE TABLE 1
			CUSTOMER		GENERAL MARKET
					SHEET NUMBER
					2 OF 2