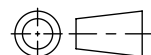
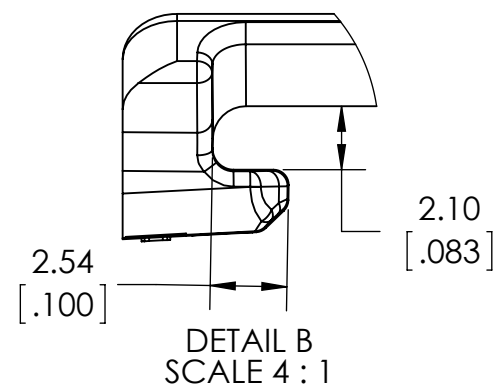


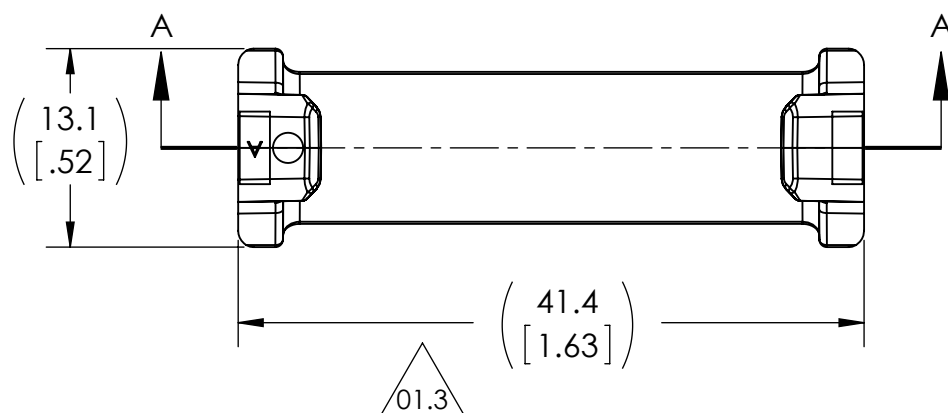
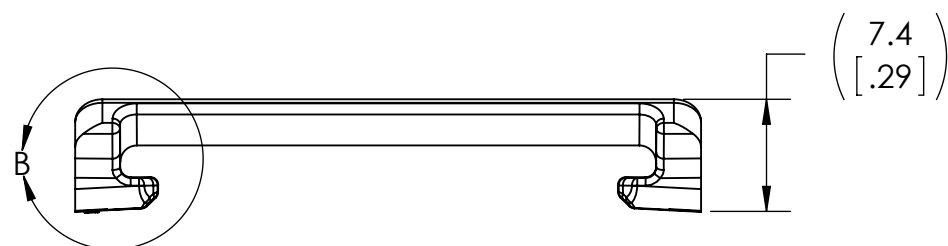
SW2014



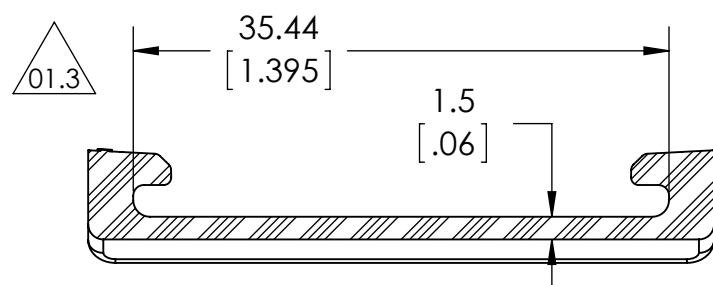
Revision level			Revision Record	Changed	Date	Approved	Date
Drawing	State	Part					
01.3	Design Release	A	SEE ECN# 013422	MHT	4/20/2016	KAC	4/20/2016



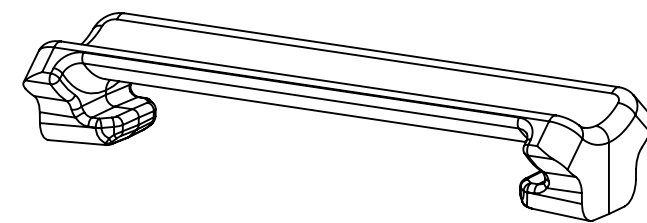
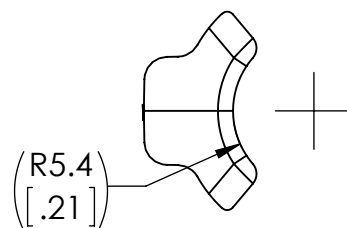
01.3



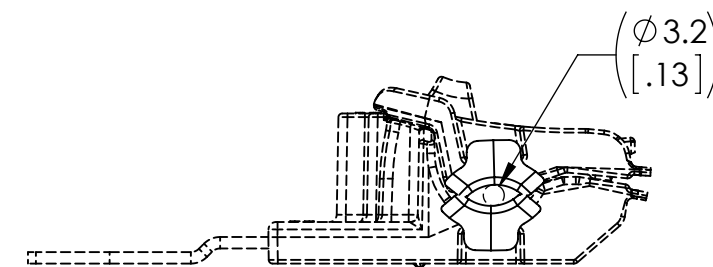
01.3



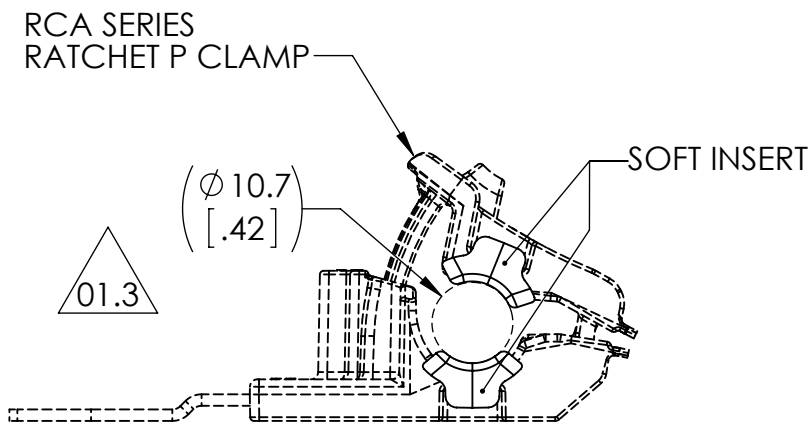
SECTION A-A



01.3



MINIMUM BUNDLE DIAMETER



MAXIMUM BUNDLE DIAMETER

01.3

PERFORMANCE REQUIREMENT:

1. ASSEMBLE SOFT INSERT INTO CLAMP AS SHOWN ABOVE. INSERT SHOULD NOT DISENGAGE WHEN SHAKEN BY HAND.

Notes 1. USED WITH RCA SERIES RATCHET P CLAMP 2. USE 2 INSERTS PER RCA SERIES RATCHET P CLAMP 3. MAXIMUM ALLOWABLE FLASH OR MISMATCH TO BE: 0.25mm 01.3	Material	Units:	The copyright of this drawing is reserved by HellermannTyton. It is issued on condition that it is not reproduced, copied, or disclosed to a third party, either wholly or in part, without the consent of HellermannTyton.	Drawn	KEP	08/21/2015	Article/Type-No	RCINSERTA	Scale	2:1
	TPV	millimeters		Approved	MHT	08/21/2015	Title	SOFT INSERT A - FOR SIZE A RATCHET P CLAMP	Project Number	PRP15-0341
		Dimension without tolerances details to: .xxx = ±.013 .xx = ±.13 .x = ±.3 None = ±.8 < = ±0.5* Dimension Formatted mm/[in]		HellermannTyton North America Email: corp@htamericas.com Web: www.hellermann.tyton.com		Drawing-No	Production : Phase		Format	B
						15-0341-011-CSU		Sheet	1/1	