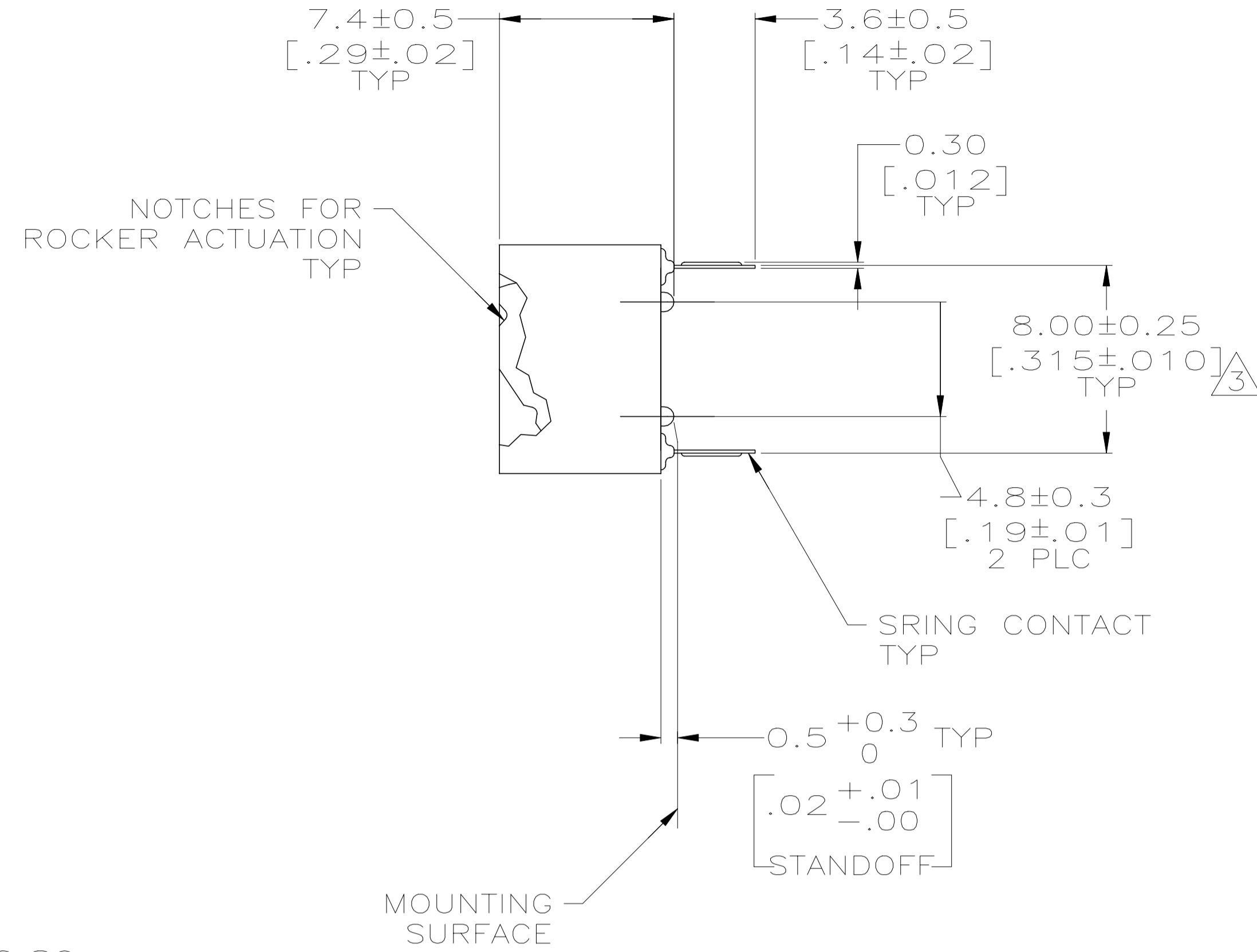
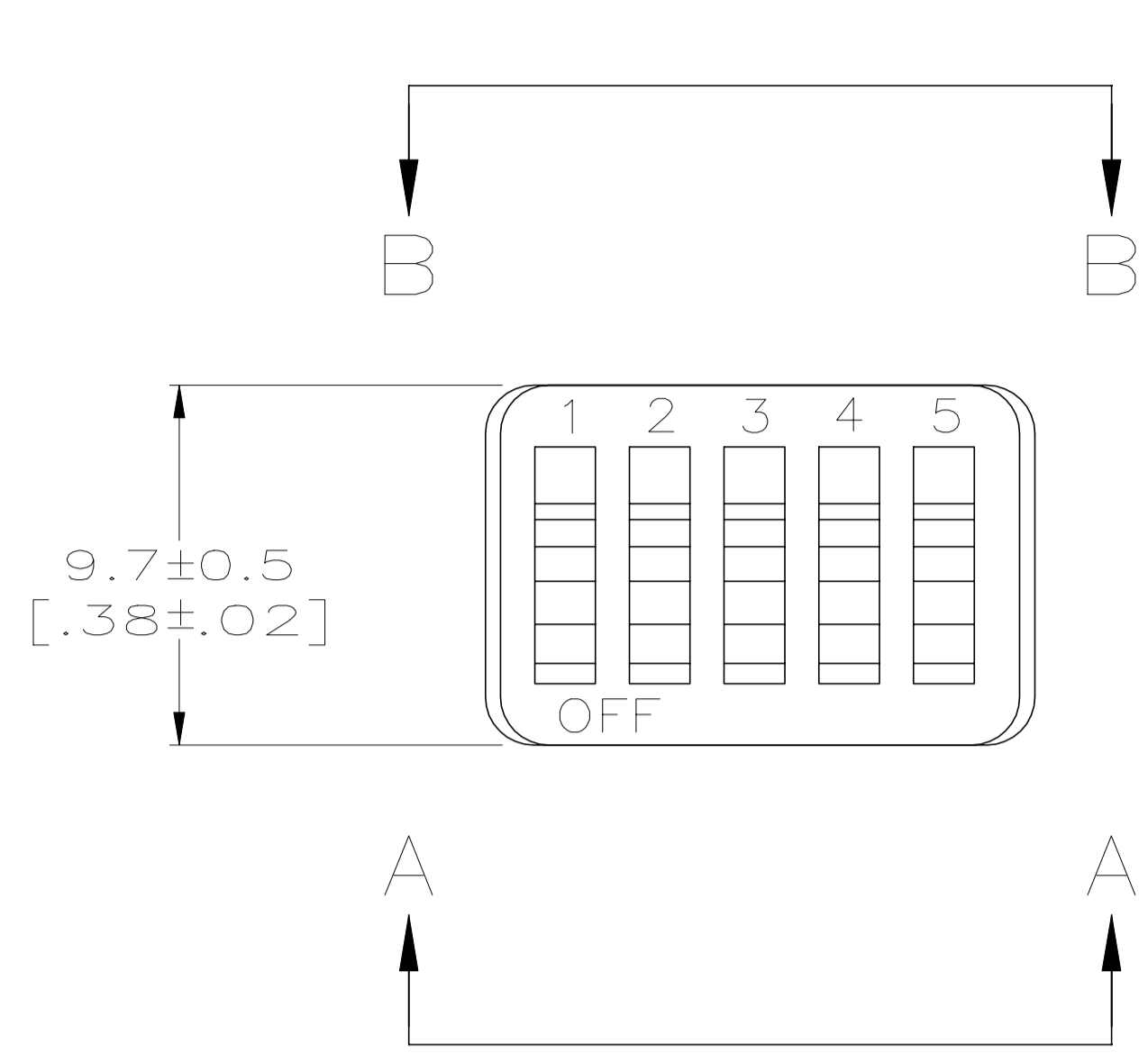
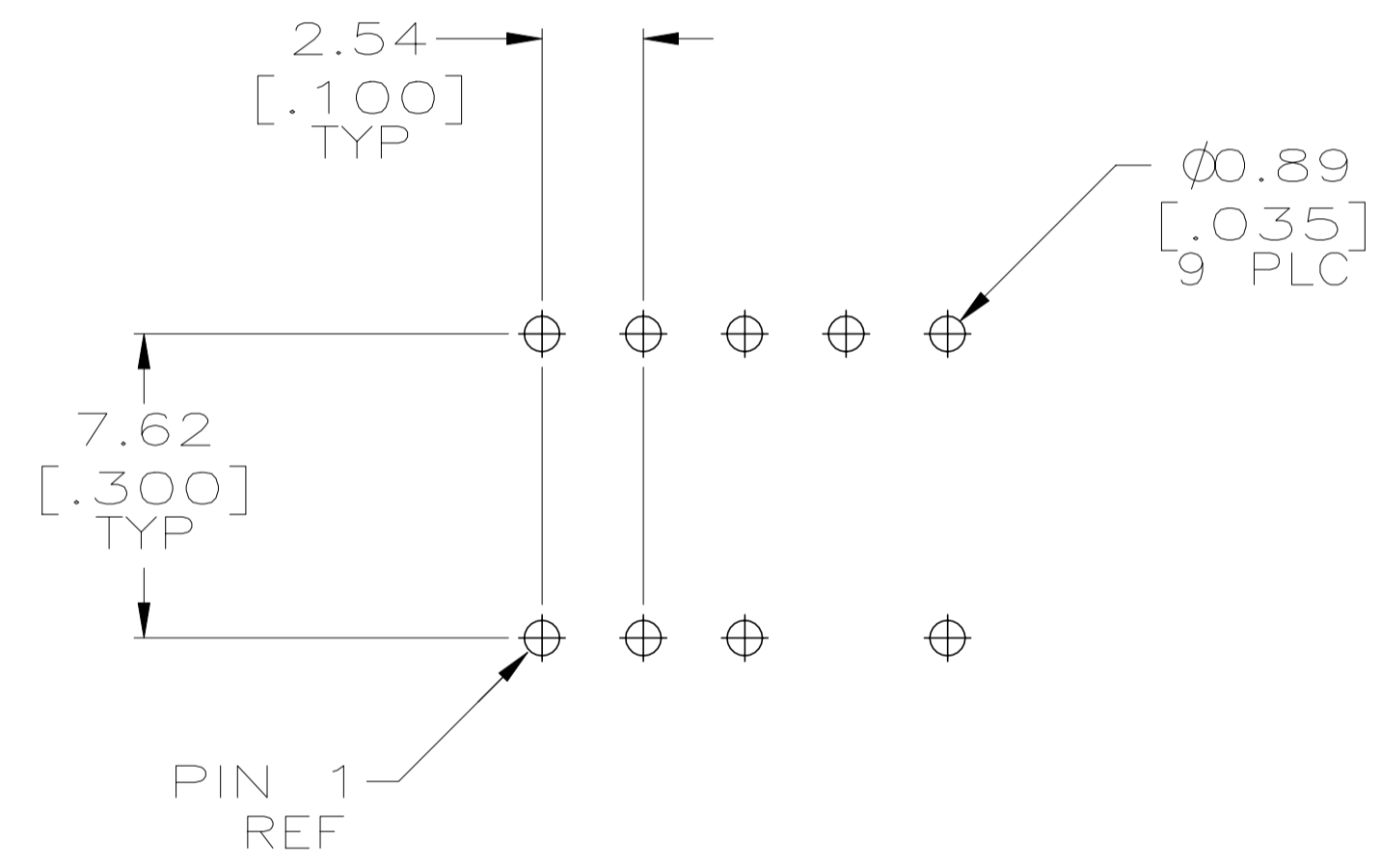


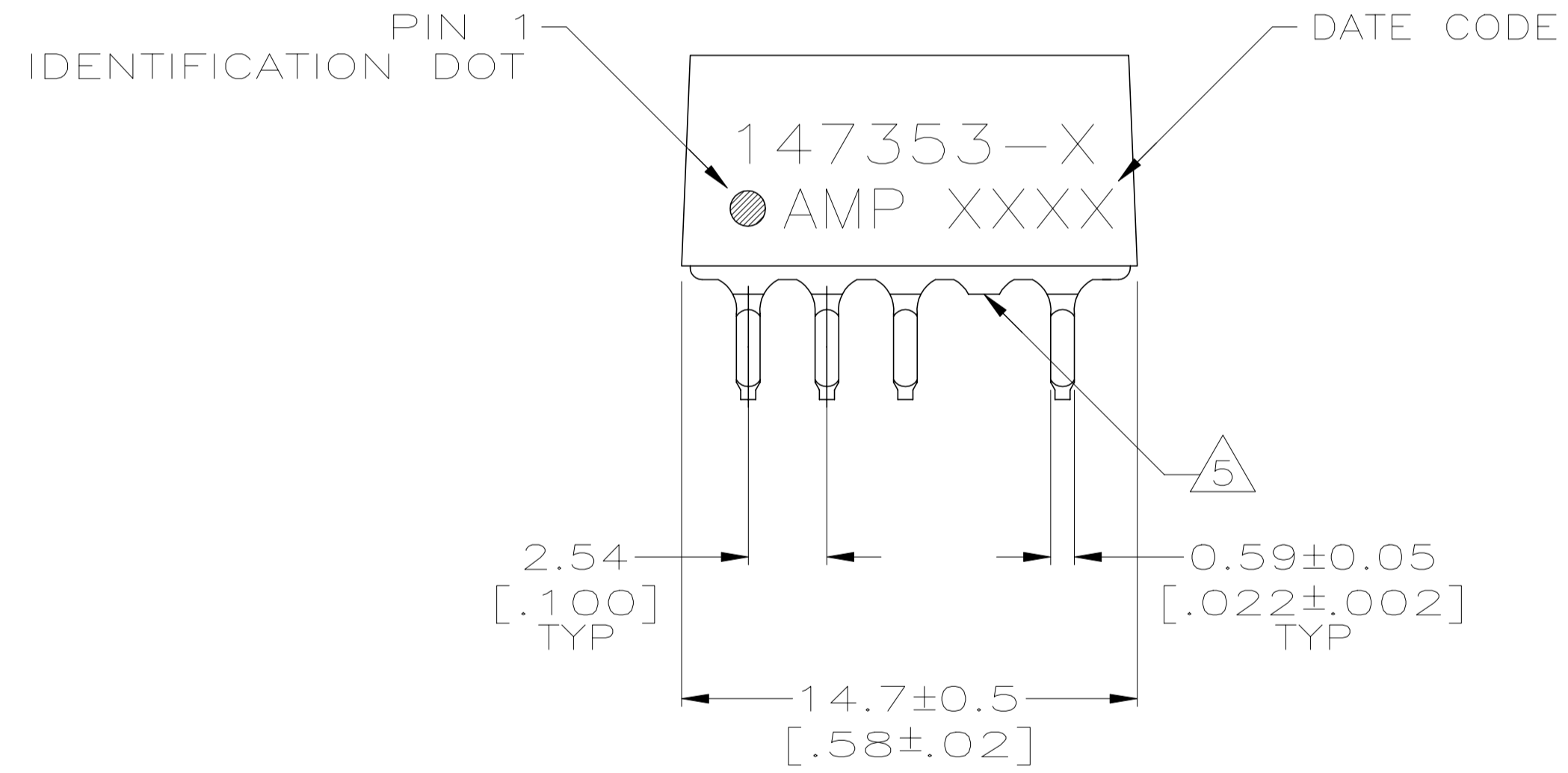
REVISIONS					
P	LTR	DESCRIPTION	DATE	DWN	APVD
B		ECO-20-004897	24AUG2020	SB	JB



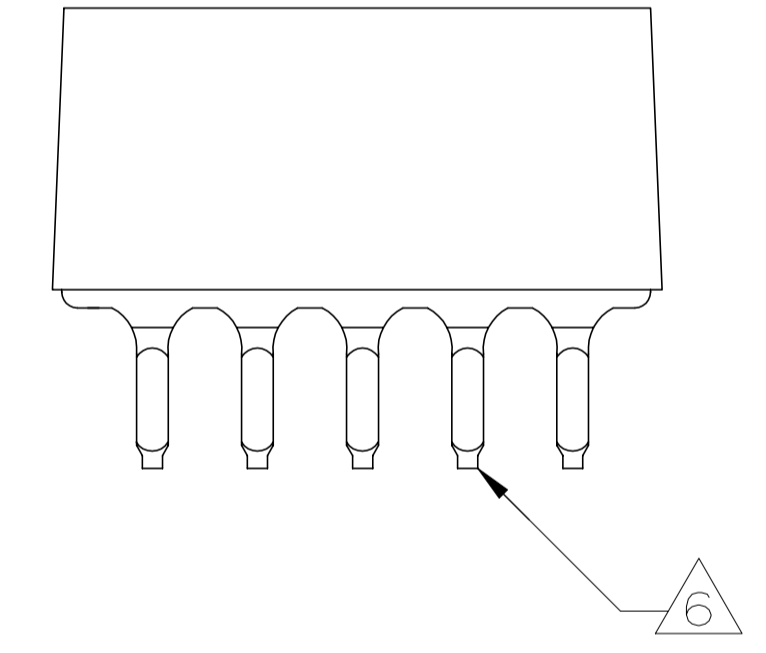
- 1 HOUSING AND ROCKERS: POLYESTER. CONTACTS: COPPER ALLOY.
- 2 SPRING CONTACTS: 0.76µm [.000030] MIN GOLD IN CONTACT AREA OVER 1.27µm [.000050] MIN NICKEL.
- 3 8.00±0.25 [.315±.010] DIMENSION APPLIES AT SPRING CONTACT TIPS. SPRING CONTACTS ARE 7.62<sup>+0.25</sup><sub>0</sub> [.300<sup>+0.010</sup><sub>-.000</sub>] AT MOUNTING SURFACE.
- 4. ALL CHARACTERS AND ROCKERS ARE WHITE, HOUSING IS BLUE.
- 5 CONTACT CLIPPED TO BOTTOM OF CORE IN POSITION 4 ONLY. (FRONT)
- 6 CONTACT DEPICTED IS ON BACK ROW ONLY. (REAR)
- 7 ALL MATERIALS AND FINISHES SHALL COMPLY WITH EU DIRECTIVE 2002/95/EC OF 27JAN2003 (ROHS)
- 8 MARKS WILL BE ADDED BY LASER MARK PROCESS.



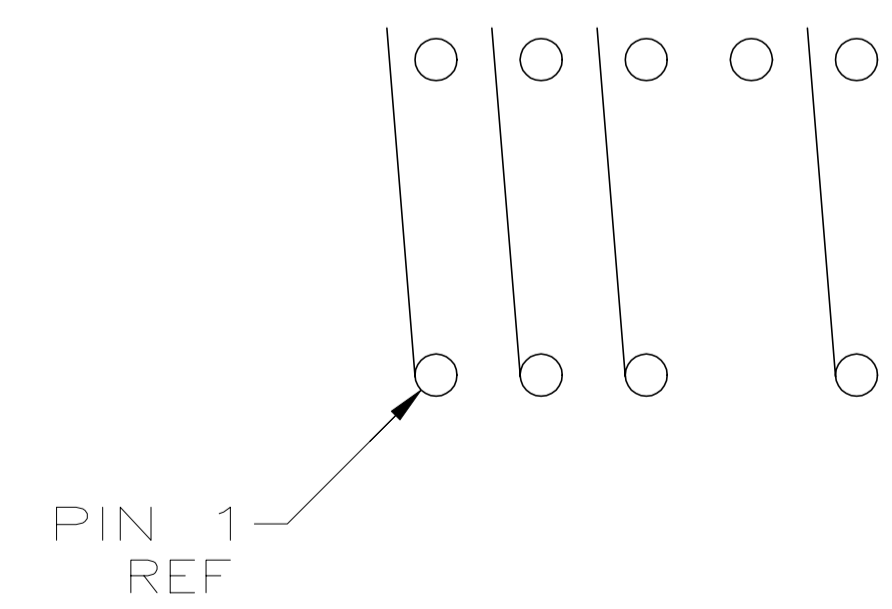
RECOMMENDED PCB LAYOUT



VIEW A-A (WITH FRONT ROW SHOWN ONLY)  
(FRONT)



VIEW B-B (WITH BACK ROW SHOWN ONLY)  
ROTATED 180° CW  
(REAR)



CONTACT ARRANGEMENT

7	TIN	5	147353-2
	TIN/LEAD	5	147353-1
	SOLDER LEAD PLATING	NO. OF POSN	SWITCH ASSY P/N

THIS DRAWING IS A CONTROLLED DOCUMENT.		DWN	17 NOV 99	TE Connectivity			
		CHK	28 JAN 00				
DIMENSIONS: mm [INCHES]		APVD	28 JAN 00	NAME SWITCH ASSEMBLY, TYPE C, W/ CLIPPED CONTACT, 7100 SERIES, SPST, LOW PROFILE, DIP SWITCH			
TOLERANCES UNLESS OTHERWISE SPECIFIED:		PRODUCT SPEC					
0 PLC ± - 1 PLC ± - 2 PLC ± 0.13 [.005] 3 PLC ± - 4 PLC ± - ANGLES ± -		APPLICATION SPEC		SIZE	CAGE CODE	DRAWING NO	RESTRICTED TO
MATERIAL	FINISH	WEIGHT	-	A2	00779	C=147353	-
CUSTOMER DRAWING				SCALE	4:1	SHEET	1 of 1
				REV	B		

147353