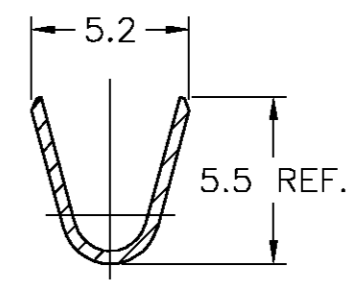
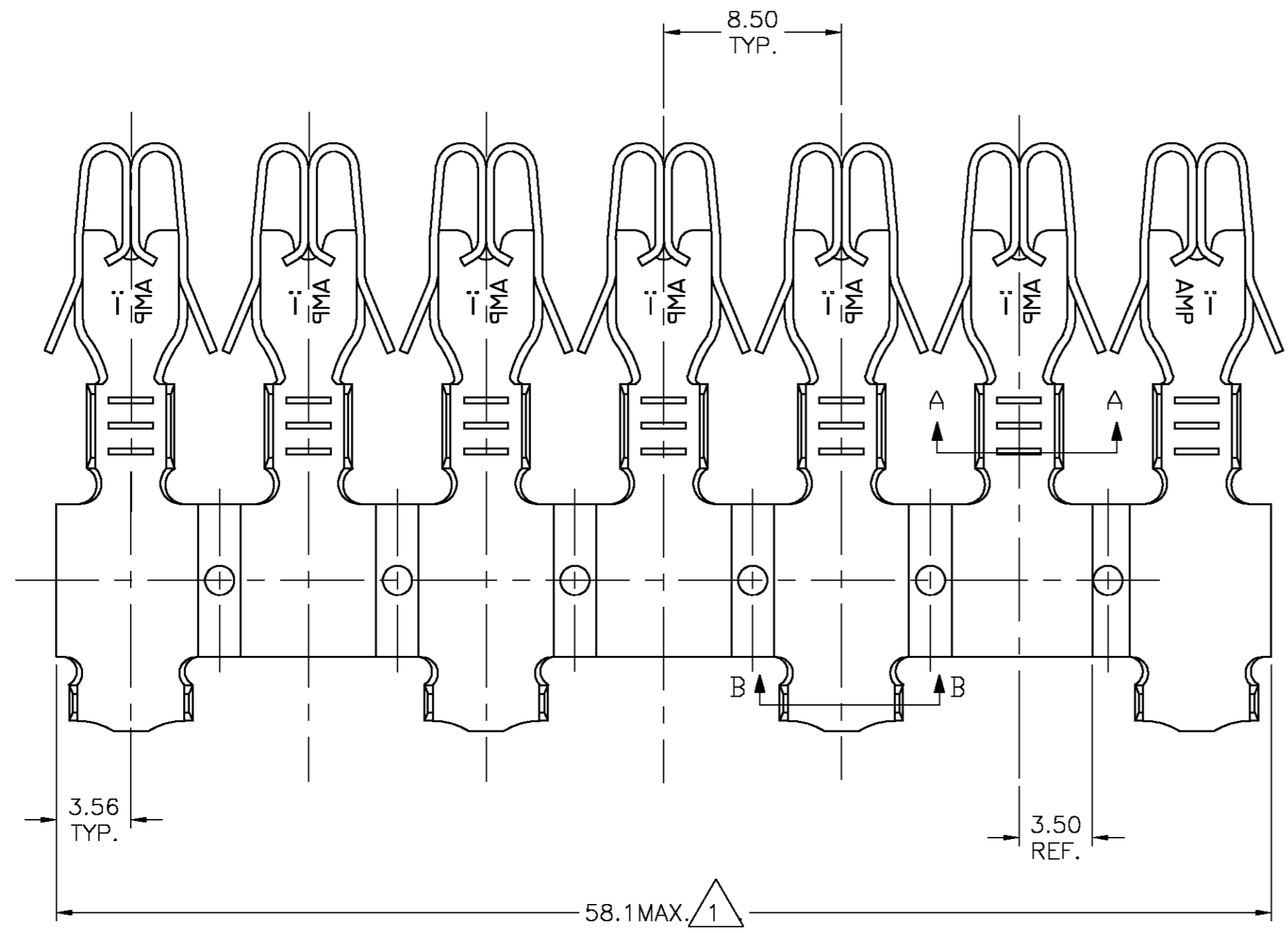


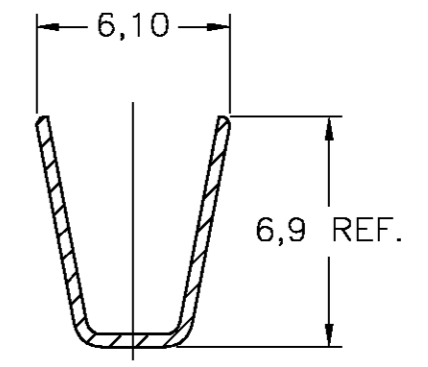
THIS DRAWING IS UNPUBLISHED. RELEASED FOR PUBLICATION .19
 BY AMP INCORPORATED. ALL RIGHTS RESERVED.
 © COPYRIGHT 19

CAD
 DO NOT REVISE
 EXCEPT BY CAD

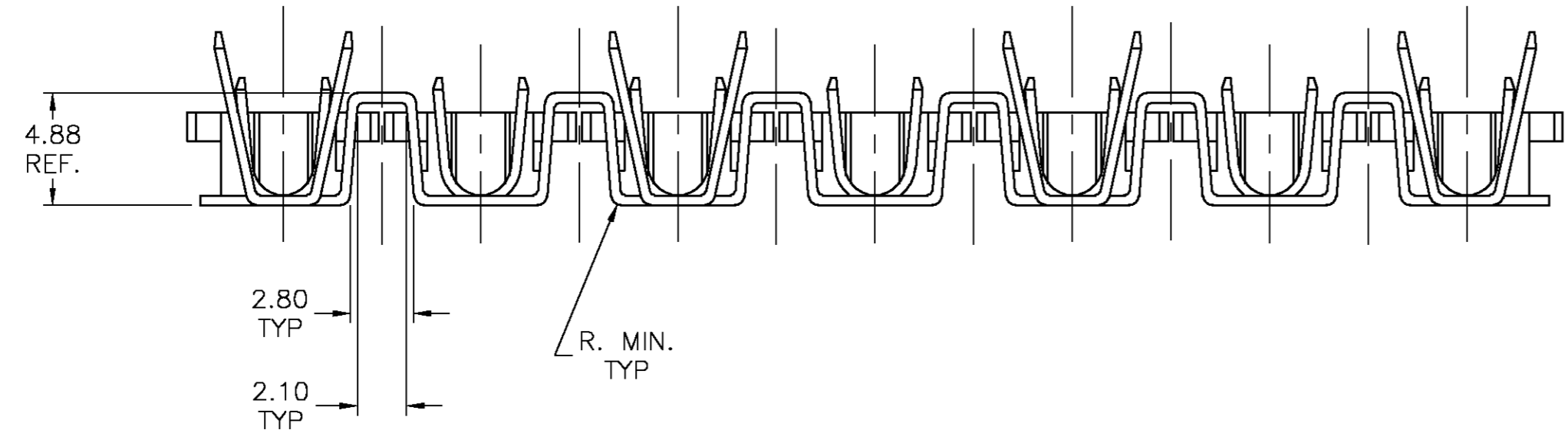
LOC	DIST	REVISIONS			
P	LTR	DESCRIPTION	DATE	DWN	APVD
	O	RELEASED	19JUN00	HL	PLF
	A	REVISED BY EC034/01	02APR01	MRB	PLF
	B	REVISED BY EC140/02	04AUG02	MAS	PLF
	C	REVISED BY EC121/04	05MAR04	MRB	PLF



SECTION A-A



SECTION B-B



$\triangle 1$ -DIMENSÃO DE CORTE PARA O APLICADOR
 -CUT DIMENSION FOR APPLICATOR

PRÉ-ESTANHADO / PRE-TIN	LATÃO / BRASS	7	493260-1	1380004-1
FINISH	MATERIAL	N° OF CONTACTS	MAKE FROM	PART NUMBER
THIS DRAWING IS A CONTROLLED DOCUMENT.		DWN H.LIVERARO 19JUN00	AMP AMP do BRASIL Ltda. São Paulo - Brasil	
DIMENSIONS: MM		CHK P.L.FARIA 19JUN00		
TOLERANCES UNLESS OTHERWISE SPECIFIED:		APVD J.A.MARSON 19JUN00		
0 PLC ± - 1 PLC ± - 0.3 2 PLC ± - 3 PLC ± - 4 PLC ± - ANGLES ± 1°		NAME		
MATERIAL LATÃO/BRASS	FINISH PRÉ-ESTANHADO / PRE-TIN	PRODUCT SPEC 108-2001	FUSE CONTACT (BUS-BAR)	
		APPLICATION SPEC 114-37000	SIZE A2	RESTRICTED TO
		WEIGHT -	CAGE CODE 00779	
		CUSTOMER DRAWING	DRAWING NO. C=1380004	
			SCALE 1:1	SHEET 1 OF 1
				REV C

1380004