

- NOTES:**
- MATERIALS**  
HOUSINGS: ZINC DIE CAST WITH BRIGHT NICKEL PLATING  
CONTACTS: GOLD FLASH OVER NICKEL PLATING  
PULL: NYLON
  - LENGTH: SEE TABLE**
  - CHARACTERISTIC DIFFERENTIAL IMPEDANCE: 100 OHMS**
  - CABLE ASSEMBLIES MEET UL94-V0 PER FILE E72548 VOL. 1**
  - CABLE JACKETS ARE CL2 RATED**
  - MATING CONNECTORS**  
CXP: MOLEX P/N 761050584  
QSFP: MOLEX P/N 755860010, 755860011, 755860014
  - RoHS COMPLIANT, NO EXEMPTIONS**

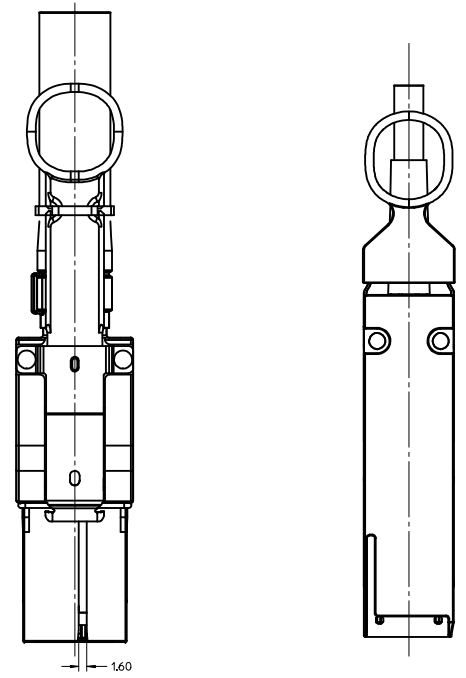
MOLEX P/N	LENGTH	AWG
1110251300	0.5M	30
1110251301	1.0M	30
1110251302	2.0M	30
1110251303	3.0M	28
1110251304	4.0M	26
1110251305	5.0M	26
1110251306	6.0M	26
1110251307	7.0M	26
1110251308	8.0M	26
1110251310	10.0M	26

<b>SEE REVISION TABLE</b> EC NO: CPG2015-1744 DRAWN BY: 2014/09/26 CHKDCID: 2014/09/26 APPROVAL: 2014/09/30	<b>QUALITY SYMBOLS</b> ∇=0 ∇=0 ∇=0	<b>GENERAL TOLERANCES (UNLESS SPECIFIED)</b>		<b>DIMENSION STYLE</b> MM ONLY		SCALE 1:1	DESIGN UNITS METRIC	THIRD ANGLE PROJECTION	
		4 PLACES ±---+--- 3 PLACES ±---+--- 2 PLACES ±0.13+--- 1 PLACE ±0.25+--- 0 PLACE ±---+---	mm INCH	DRAWN BY KWEBER	DATE 2009/02/27	TITLE CXP-T0-QSFP SPLITTER CABLE ASSEMBLY PASSIVE			
		DRAFT WHERE APPLICABLE MUST REMAIN WITHIN DIMENSIONS		APPROVED BY DDOYE	DATE 2009/02/27	MATERIAL NO. SEE P/N TABLE			
				DOCUMENT NO. SD-111025-1300	SHEET NO. 1 OF 4	THIS DRAWING CONTAINS INFORMATION THAT IS PROPRIETARY TO MOLEX INCORPORATED AND SHOULD NOT BE USED WITHOUT WRITTEN PERMISSION			

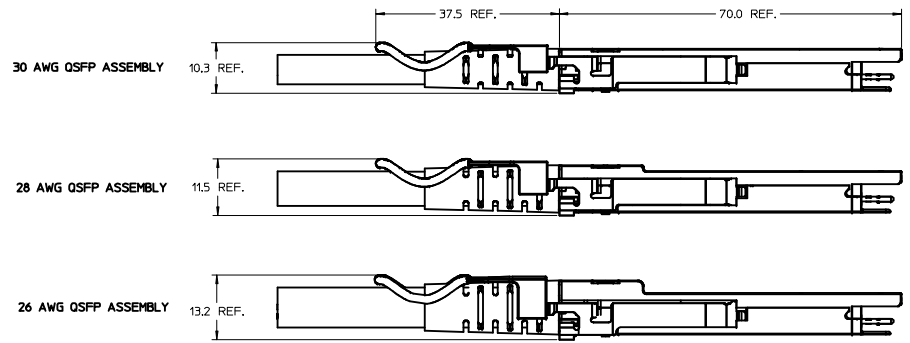
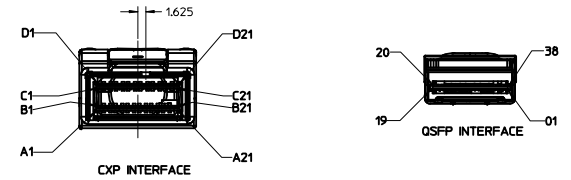
CXP								OSFP								CXP								OSFP								CXP								OSFP							
P4				P1				P4				P2				P4				P3				P4				P3																			
PIN	F	SIGNAL	TYPE	C	C	PIN	F	SIGNAL	TYPE	C	C	PIN	F	SIGNAL	TYPE	C	C	PIN	F	SIGNAL	TYPE	C	C	PIN	F	SIGNAL	TYPE	C	C	PIN	F	SIGNAL	TYPE	C	C												
B1	L	GND		C	C	19	L	GND				B7	L	GND		C	C	19	L	GND				B13	L	GND		C	C	19	L	GND															
B2	S	TX0p	----->			17	S	RX1p				B8	S	TX4p	----->			17	S	RX1p				B14	S	TX8p	----->			17	S	RX1p															
B3	S	TX0n	----->			18	S	RX1n				B9	S	TX4n	----->			18	S	RX1n				B15	S	TX8n	----->			18	S	RX1n															
A1	L	GND		C	C	23	L	GND				A7	L	GND		C	C	23	L	GND				A13	L	GND		C	C	23	L	GND															
A2	S	TX1p	----->			22	S	RX2p				A8	S	TX5p	----->			22	S	RX2p				A14	S	TX9p	----->			22	S	RX2p															
A3	S	TX1n	----->			21	S	RX2n				A9	S	TX5n	----->			21	S	RX2n				A15	S	TX9n	----->			21	S	RX2n															
B4	L	GND		C	C	16	L	GND				B10	L	GND		C	C	16	L	GND				B16	L	GND		C	C	16	L	GND															
B5	S	TX2p	----->			14	S	RX3p				B11	S	TX6p	----->			14	S	RX3p				B17	S	TX10p	----->			14	S	RX3p															
B6	S	TX2n	----->			15	S	RX3n				B12	S	TX6n	----->			15	S	RX3n				B18	S	TX10n	----->			15	S	RX3n															
A4	L	GND		C	C	26	L	GND				A10	L	GND		C	C	26	L	GND				A16	L	GND		C	C	26	L	GND															
A5	S	TX3p	----->			25	S	RX4p				A11	S	TX7p	----->			25	S	RX4p				A17	S	TX11p	----->			25	S	RX4p															
A6	S	TX3n	----->			24	S	RX4n				A12	S	TX7n	----->			24	S	RX4n				A18	S	TX11n	----->			24	S	RX4n															
D1	L	GND		C	C	38	L	GND				D7	L	GND		C	C	38	L	GND				D13	L	GND		C	C	38	L	GND															
D2	S	RX0p	----->			36	S	TX1p				D8	S	RX4p	----->			36	S	TX1p				D14	S	RX8p	----->			36	S	TX1p															
D3	S	RX0n	----->			37	S	TX1n				D9	S	RX4n	----->			37	S	TX1n				D15	S	RX8n	----->			37	S	TX1n															
C1	L	GND		C	C	04	L	GND				C7	L	GND		C	C	04	L	GND				C13	L	GND		C	C	04	L	GND															
C2	S	RX1p	----->			03	S	TX2p				C8	S	RX5p	----->			03	S	TX2p				C14	S	RX9p	----->			03	S	TX2p															
C3	S	RX1n	----->			02	S	TX2n				C9	S	RX5n	----->			02	S	TX2n				C15	S	RX9n	----->			02	S	TX2n															
D4	L	GND		C	C	35	L	GND				D10	L	GND		C	C	35	L	GND				D16	L	GND		C	C	35	L	GND															
D5	S	RX2p	----->			33	S	TX3p				D11	S	RX6p	----->			33	S	TX3p				D17	S	RX10p	----->			33	S	TX3p															
D6	S	RX2n	----->			34	S	TX3n				D12	S	RX6n	----->			34	S	TX3n				D18	S	RX10n	----->			34	S	TX3n															
C4	L	GND		C	C	07	L	GND				C10	L	GND		C	C	07	L	GND				C16	L	GND		C	C	07	L	GND															
C5	S	RX3p	----->			06	S	TX4p				C11	S	RX7p	----->			06	S	TX4p				C17	S	RX11p	----->			06	S	TX4p															
C6	S	RX3n	----->			05	S	TX4n				C12	S	RX7n	----->			05	S	TX4n				C18	S	RX11n	----->			05	S	TX4n															
A19	L	GND		nc	nc	29	L	VccTx				B19	L	GND		nc	nc	32	L	GND				C19	L	GND		nc	nc	09	L	ResetL															
A20	S	SCL		nc	nc	28	S	In1L				B20	M	VCC3.3-Tx		nc	nc	31	S	LPMode				C20	S	PRSNL		C		10	M	VccRx															
A21	S	SDA		nc	nc	27	S	ModPrL				B21	M	VCC12-Tx		nc	nc	30	M	Vcc1				C21	S	In1L/Reset_L		C		11	S	SCL															
D19	L	GND		nc	nc	08	S	ModSe1L				D20	M	VCC3.3-Rx		nc	nc	29	M	VccTx				D21	M	VCC12-Rx		nc	nc	12	S	SDA															

FINGER CONTACT MATING (F):  
 L = FIRST MATE (LONG FINGERS)  
 M = SECOND MATE (MIDDLE FINGERS)  
 S = LAST MATE (SHORT FINGERS)

CONNECTION TYPE:  
 C = COMMON GROUND  
 -----> = TRANSMIT TO RECEIVE ON HIGH SPEED PAIRS  
 □ = CONNECTION TO A CIRCUIT ON THE PADDLE CARD  
 nc = NO CONNECTION

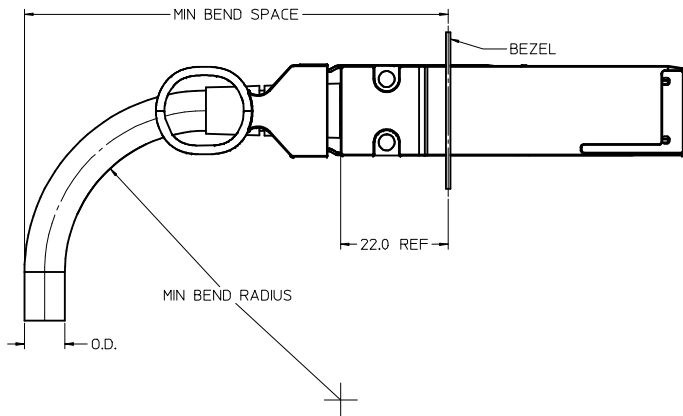
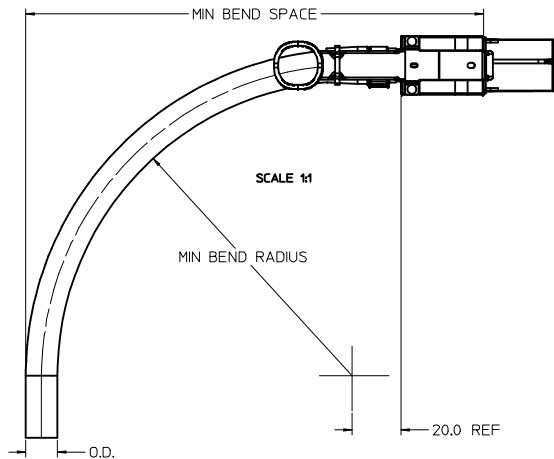


POLARIZATION FOR IBTA



SEE REVISION TABLE IEC NO: CPG2015-1744 DRAWN BY: CHYOKICID CHECKED BY: APPROV: ARV/BURN DATE: 2014/09/26 DATE: 2014/09/30	QUALITY SYMBOLS	GENERAL TOLERANCES (UNLESS SPECIFIED)	DIMENSION STYLE	SCALE	DESIGN UNITS	THIRD ANGLE PROJECTION
	▽=0	mm INCH	MM ONLY	2:1	METRIC	☉
	▽=0	4 PLACES ±0.13				
	▽=0	2 PLACES ±0.25				
		ANGULAR ±1/2°				
		DRAFT WHERE APPLICABLE MUST REMAIN WITHIN DIMENSIONS				
			MATERIAL NO. SEE P/N TABLE			
			DOCUMENT NO. SD-11025-1300			
						SHEET NO. 2 OF 4
			THIS DRAWING CONTAINS INFORMATION THAT IS PROPRIETARY TO MOLEX INCORPORATED AND SHOULD NOT BE USED WITHOUT WRITTEN PERMISSION			

CABLE AWG	BUNDLE OD	MIN BEND RADIUS	MIN BEND SPACE
26	19.2	134	198
28	17.0	119	181
30	14.0	98	159

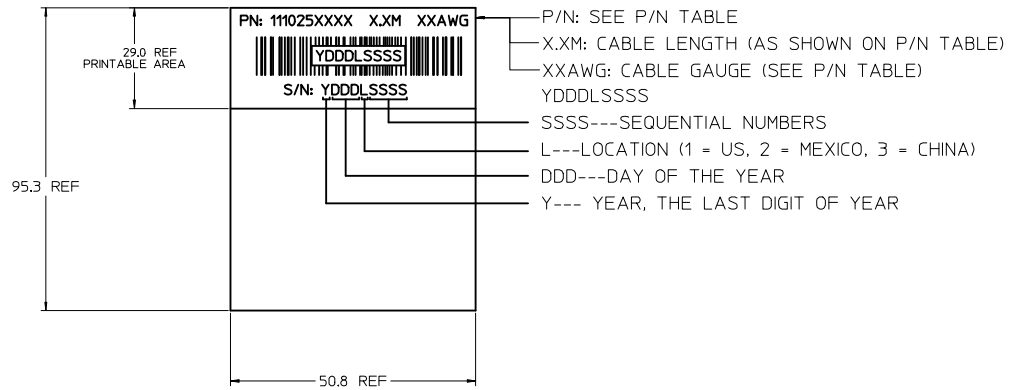


CABLE BEND RADIUS - QSFP END

CABLE AWG	O.D.	MIN BEND RADIUS	MIN BEND SPACE
26	8.9	62	89
28	7.9	55	81
30	6.5	46	71

CABLE LABEL DETAIL

ID LABEL TEXT



REV	DESCRIPTION	QUALITY SYMBOLS	GENERAL TOLERANCES (UNLESS SPECIFIED)		DIMENSION STYLE	SCALE	DESIGN UNITS	THIRD ANGLE PROJECTION
			mm	INCH				
1	SEE REVISION TABLE	▽=0	4 PLACES ±---	±---	MM ONLY	2:1	METRIC	TITLE: CXP-T0-QSFP SPLITTER CABLE ASSEMBLY PASSIVE <b>molex</b> MATERIAL NO. SD-11025-1300 DOCUMENT NO. SD-11025-1300 SHEET NO. 3 OF 4
2	DRY/ENH/NA	▽=0	3 PLACES ±---	±---				
3	CHK/CMC/D	▽=0	2 PLACES ±0.13	±---				
4	APP/RA/BURN	▽=0	1 PLACE ±0.25	±---				
			0 PLACE ±---	±---				
			ANGULAR ±1/2°		SEE P/N TABLE			
			DRAFT WHERE APPLICABLE MUST REMAIN WITHIN DIMENSIONS		THIS DRAWING CONTAINS INFORMATION THAT IS PROPRIETARY TO MOLEX INCORPORATED AND SHOULD NOT BE USED WITHOUT WRITTEN PERMISSION			

