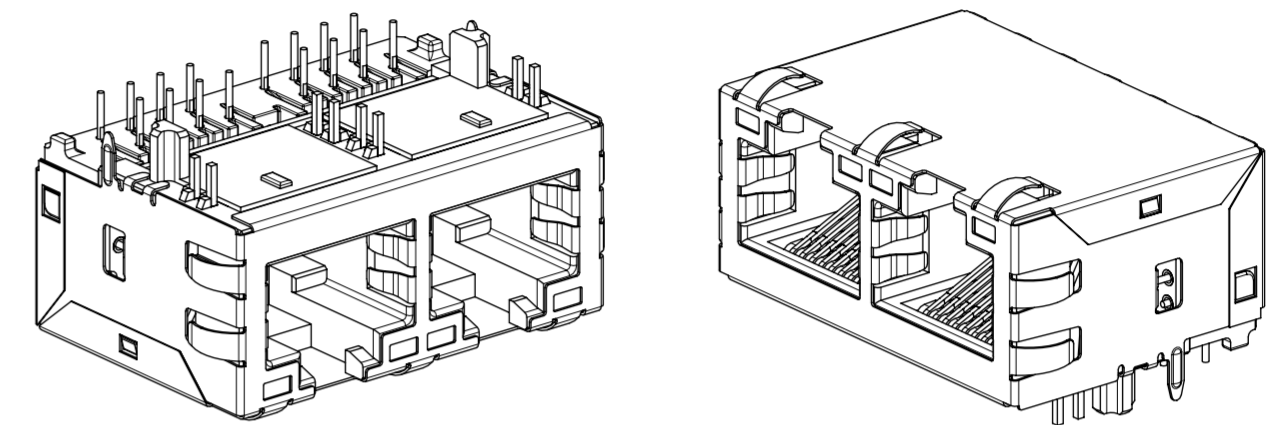
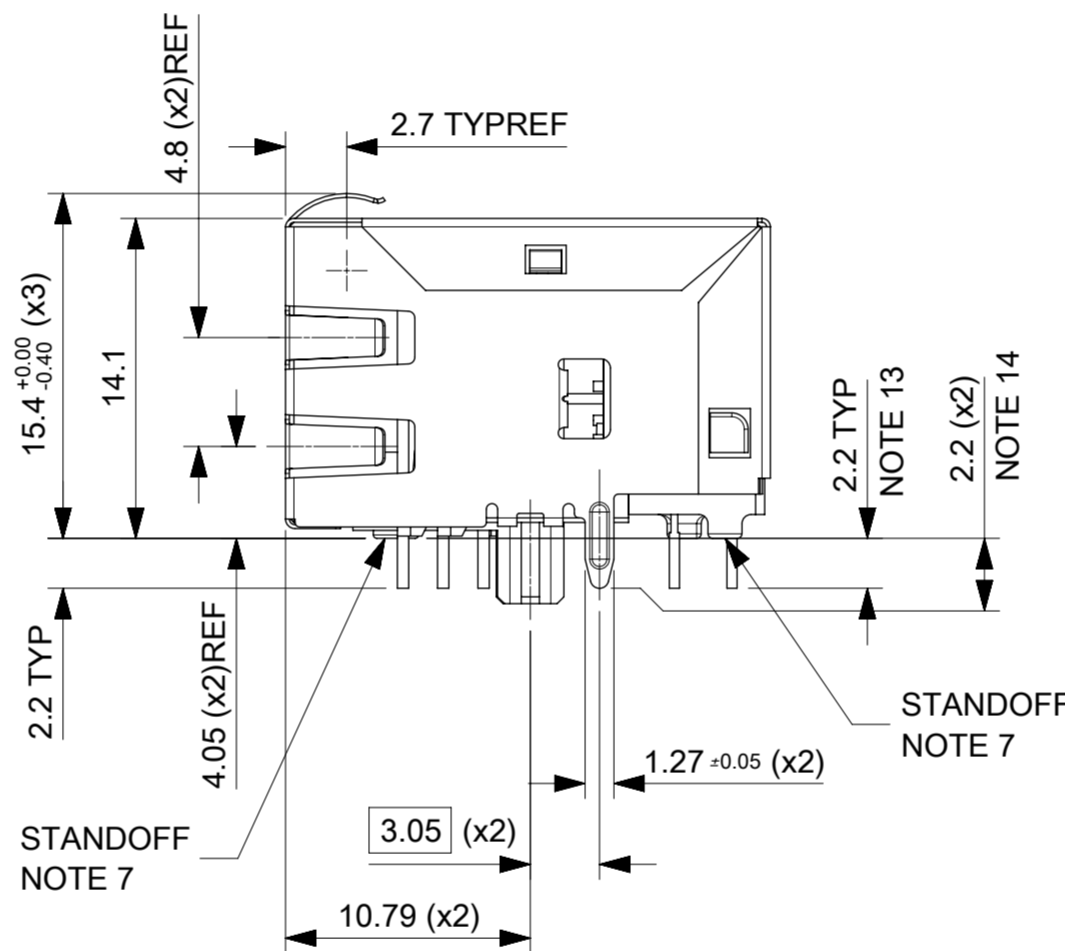
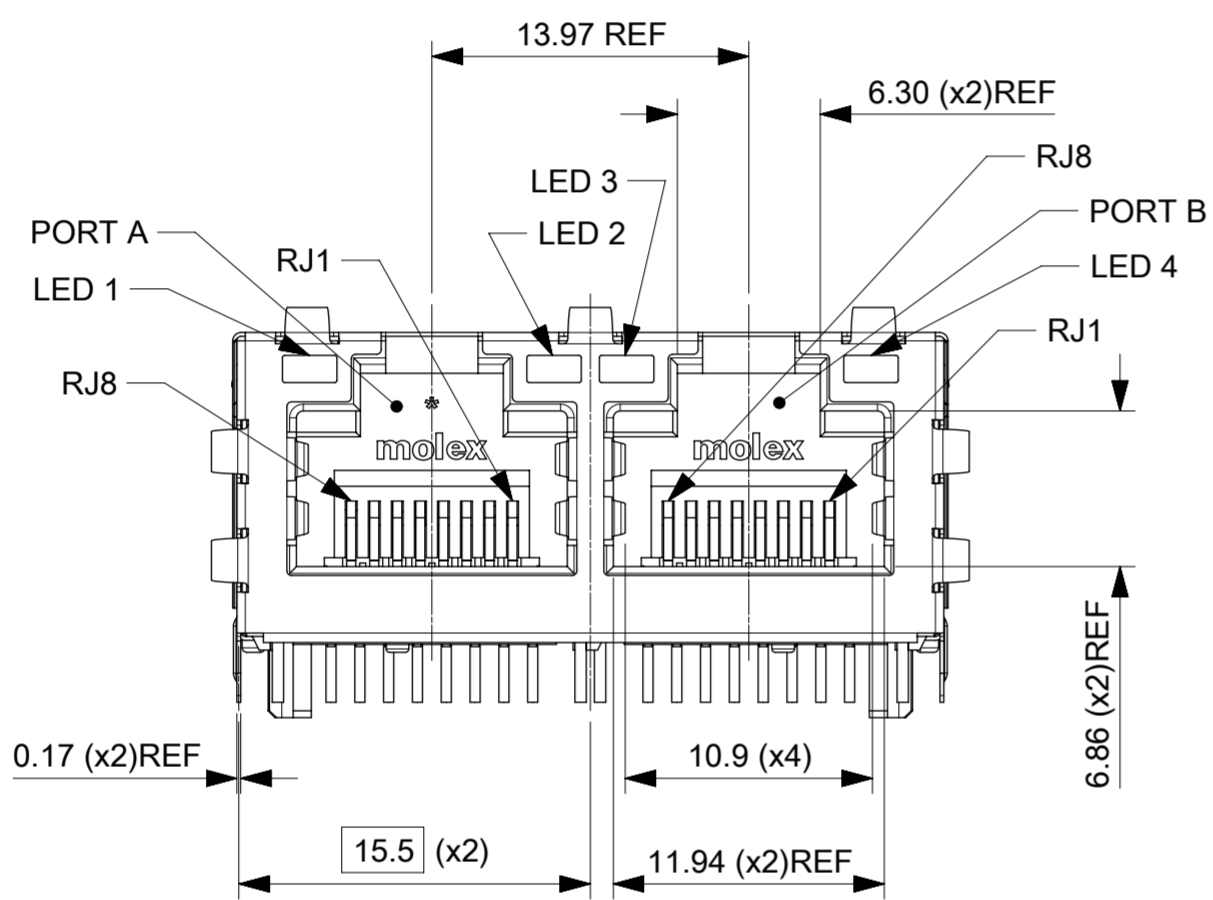


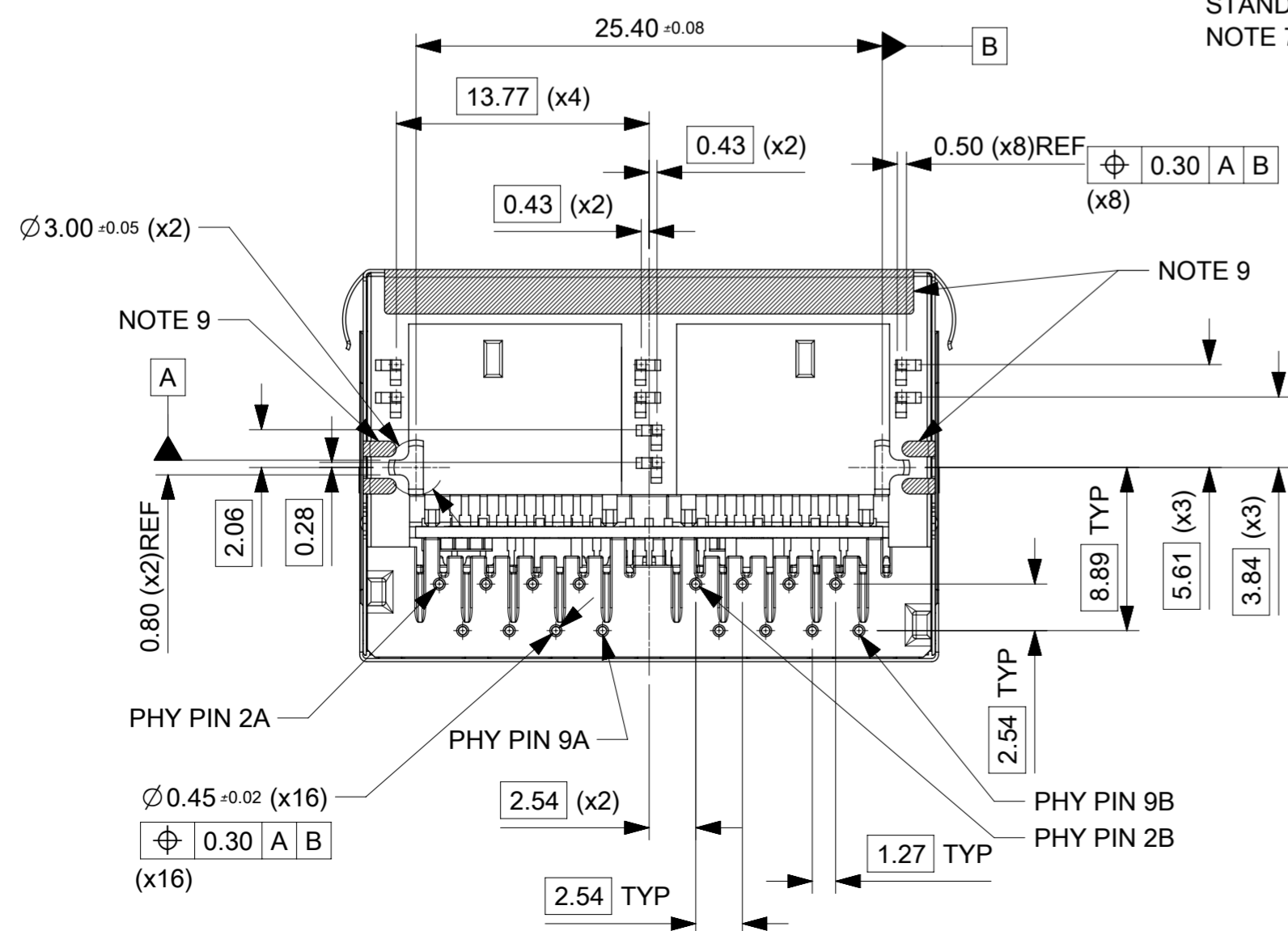
PART NO.	LED COLOR			
	LED 1	LED 2	LED 3	LED 4
938283026	GREEN	YELLOW	GREEN	YELLOW



INVERTED PROFILE DUAL PORT MAGNETIC JACK
FAST ETHERNET
WITH LED
WITH SHIELD TABS



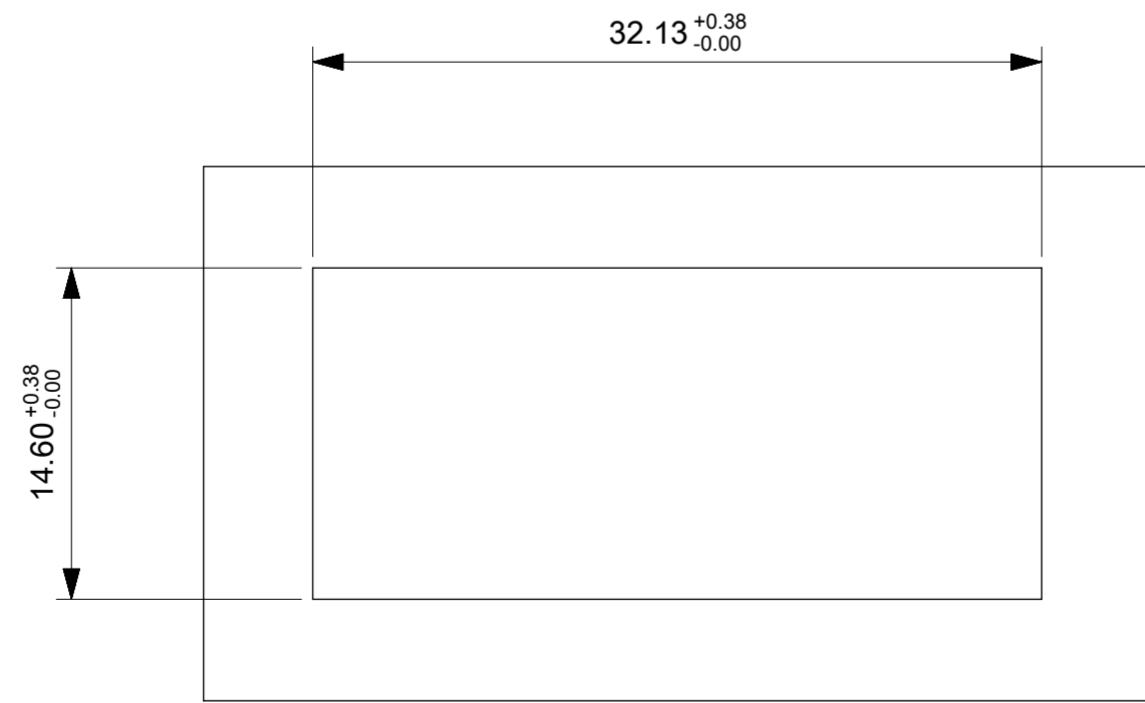
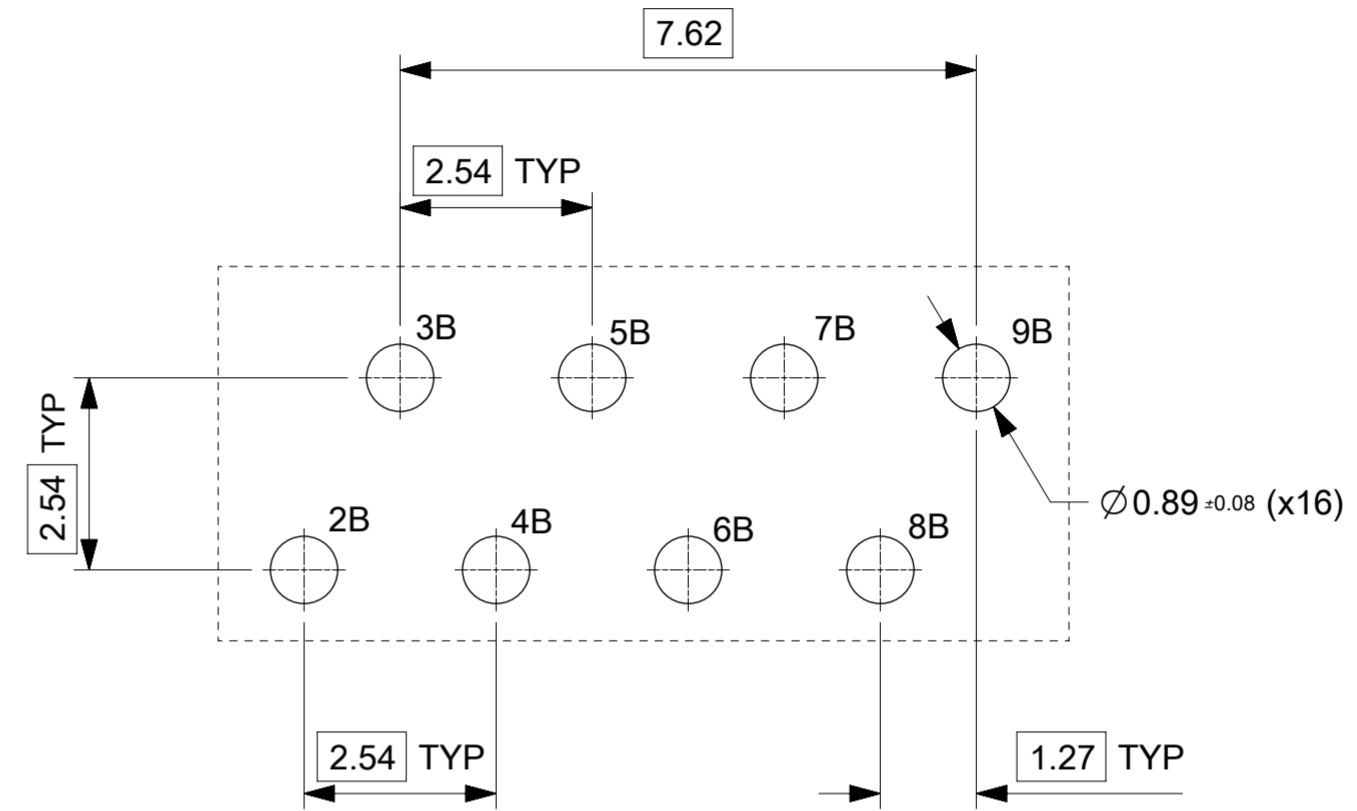
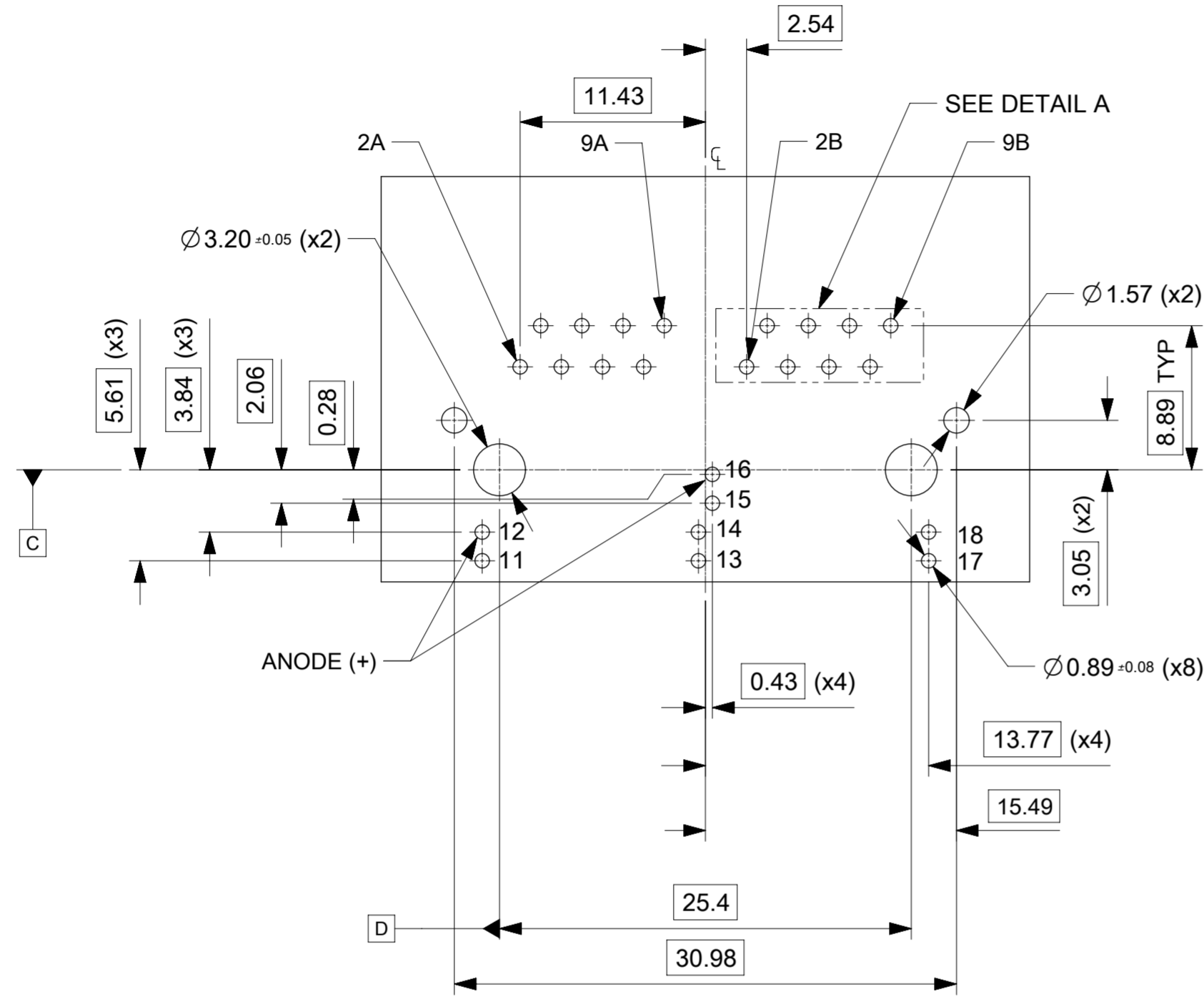
- NOTES:
- SHIELD MATERIAL: 0.17 mm THICK BRASS PRE-PLATED WITH NICKEL
SOLDER TABS POST DIPPED WITH MIN. 1.27 μm TIN
 - HOUSING MATERIAL: LCP, BLACK, UL 94V-0
 - TERMINALS MATERIAL: PHOSPHOR BRONZE
RJ45 CONTACTS PLATING: BASE NICKEL PLATED WITH GOLD
FLASH OVER PALLADIUM NICKEL. REFER TO 934620001 PSP
PHY SOLDER TAILS: COPPER ALLOY WITH TIN OVER NICKEL PLATING
 - MATING INTERFACE ACCORDING TO IEC 60603-7 & TIA-1096-A
 - PRODUCT SPECIFICATION: 934620001 PSP
 - PACKAGING SPECIFICATION: 938240001 PSK TRAY
TRAY PACKAGING DRAWING: 990250161 PSD
 - STAND OFF TO SYSTEM BOARD 0.30 mm MIN
 - RECOMMENDED PCB THICKNESS: 1.6 mm
 - SHIELD: AVOID ROUTING TRACES
OR PLACING ANY VIAS BELOW THESE AREAS.
 - FE VERSIONS DO NOT HAVE PINS 1A, 10A, 1B OR 10B
 - INSCRIPTION MARKED BY LASER:
1st: MOLEX
2nd: PART NUMBER
 - INSCRIPTION MARKED BY LASER:
DATE CODE (DAY/WEEK/YEAR)
 - PHY PIN LENGTH
 - SHIELD SOLDER TAB LENGTH



THIS DRAWING CONTAINS INFORMATION THAT IS PROPRIETARY TO MOLEX ELECTRONIC TECHNOLOGIES, LLC AND SHOULD NOT BE USED WITHOUT WRITTEN PERMISSION

DIMENSION UNITS	SCALE	CURRENT REV	DESC: UPDATE TEMP RANGE	molex			
mm	3:1		FROM COMMERCIAL TO INDUSTRIAL.	MXMAG DUAL PORT 4C FE INDUSTRIAL W/ LED			
GENERAL TOLERANCES (UNLESS SPECIFIED)				PRODUCT CUSTOMER DRAWING			
ANGULAR TOL	± 2.0°	EC NO:	646914	DOCUMENT NUMBER			
4 PLACES	±	DRWN:	DBYRNES 2020/09/18	DOC TYPE DOC PART REVISION			
3 PLACES	±	CHK'D:	LKATARZIENE 2020/10/15	938280001 PSD 000 E			
2 PLACES	± 0.1	APPR:	LKATARZIENE 2020/10/15	MATERIAL NUMBER			
1 PLACE	± 0.2	INITIAL REVISION:		CUSTOMER			
0 PLACES	±	DRWN:	DSHEA 2017/04/05	SEE CHART			
DRAFT WHERE APPLICABLE MUST REMAIN WITHIN DIMENSIONS		APPR:	DBYRNES 2017/11/07	SERIES		SHEET NUMBER	
		THIRD ANGLE PROJECTION		DRAWING		GENERAL MARKET	
		DRAWING		A2-SIZE		1 OF 3	
		SERIES		93828			

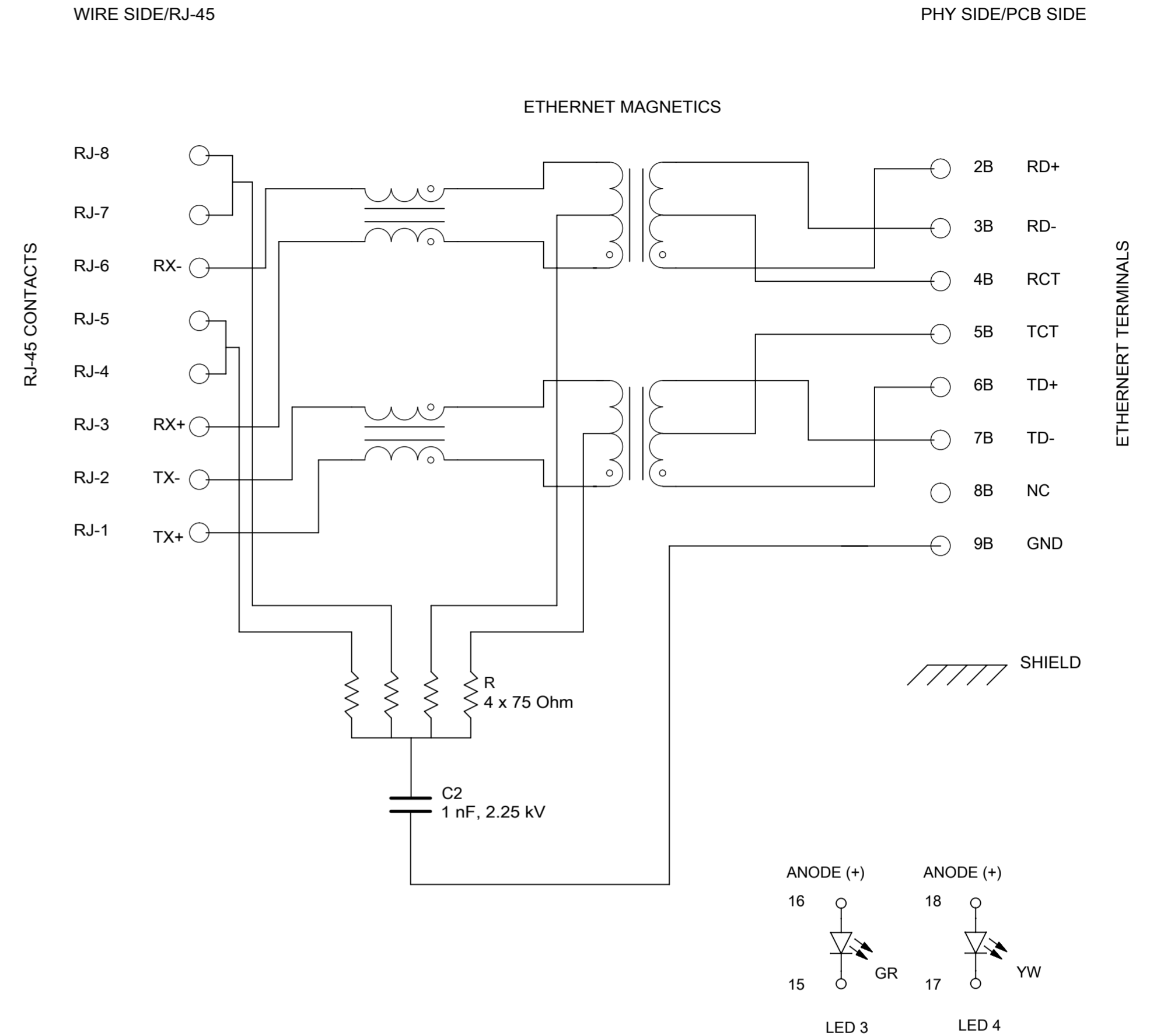
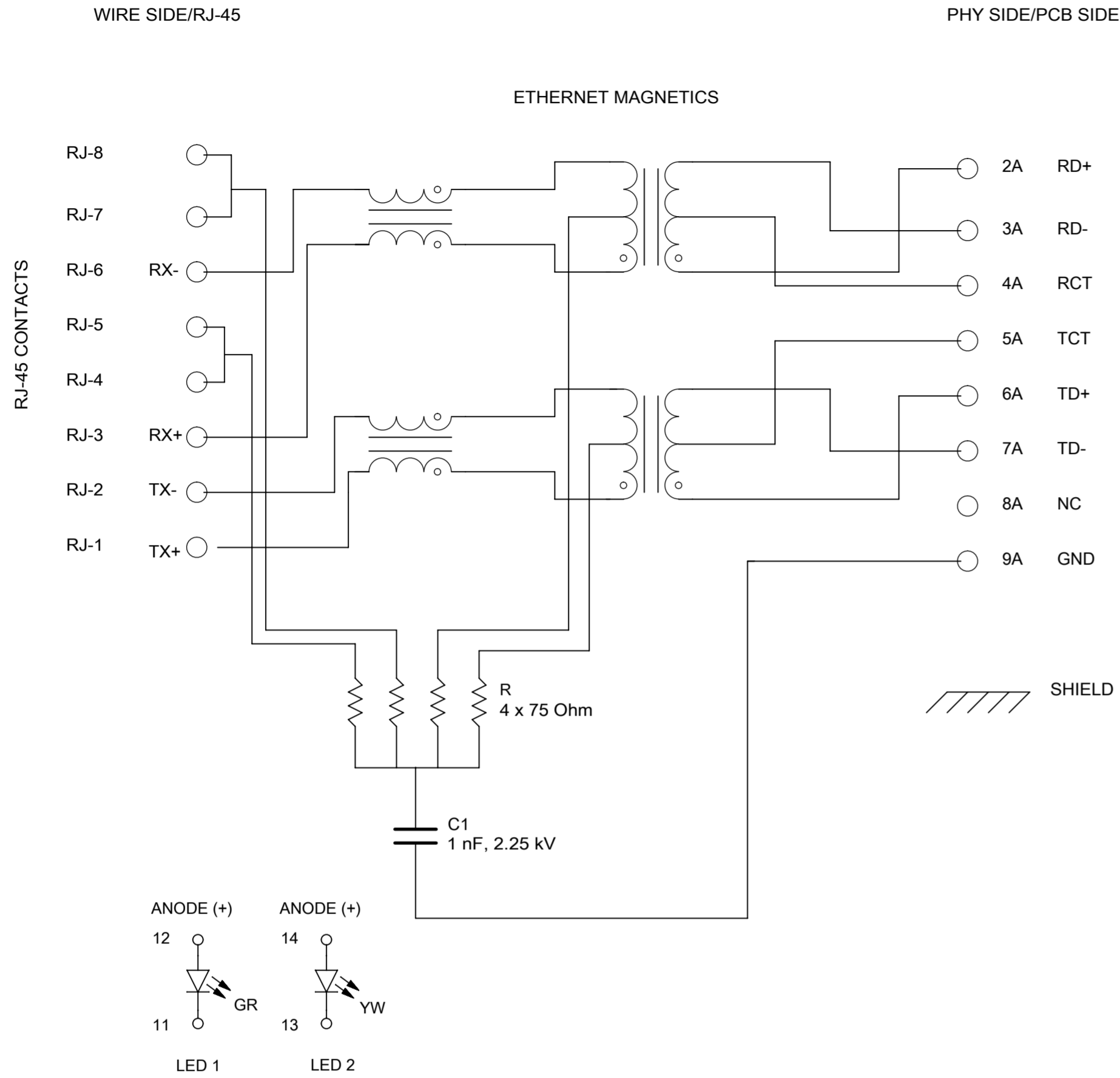
RECOMMENDED PCB LAYOUT
 FE VERSION W/ LED
 COMPONENT SIDE
 ALL DIMENSIONS REF DIMENSIONS



THIS DRAWING CONTAINS INFORMATION THAT IS PROPRIETARY TO MOLEX ELECTRONIC TECHNOLOGIES, LLC AND SHOULD NOT BE USED WITHOUT WRITTEN PERMISSION									
DIMENSION UNITS mm		SCALE 3:1		CURRENT REV DESC: UPDATE TEMP RANGE FROM COMMERCIAL TO INDUSTRIAL.				molex	
GENERAL TOLERANCES (UNLESS SPECIFIED)		EC NO: 646914		2020/09/18		MXMAG DUAL PORT 4C FE INDUSTRIAL W/ LED			
ANGULAR TOL $\pm 2.0^\circ$		4 PLACES \pm		DRWN: DBYRNES		2020/10/15		PRODUCT CUSTOMER DRAWING	
3 PLACES \pm		2 PLACES ± 0.1		CHK'D: LKATARZIENE		2020/10/15		DOCUMENT NUMBER	
1 PLACE ± 0.2		1 PLACE ± 0.2		APPR: LKATARZIENE		2020/10/15		938280001	
0 PLACES \pm		INITIAL REVISION:		DRWN: DSHEA		2017/04/05		DOC TYPE	
DRAFT WHERE APPLICABLE MUST REMAIN WITHIN DIMENSIONS		THIRD ANGLE PROJECTION		APPR: DBYRNES		2017/11/07		DOC PART	
		DRAWING		SERIES		MATERIAL NUMBER		REVISION	
		A2-SIZE		93828		SEE SHEET 1		PSD 000 E	
						CUSTOMER		SHEET NUMBER	
						GENERAL MARKET		2 OF 3	

PORT A

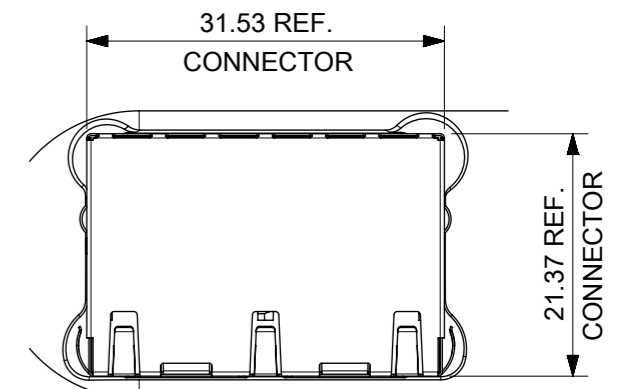
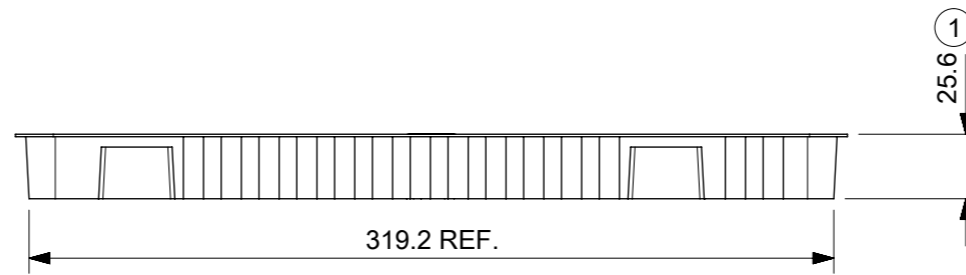
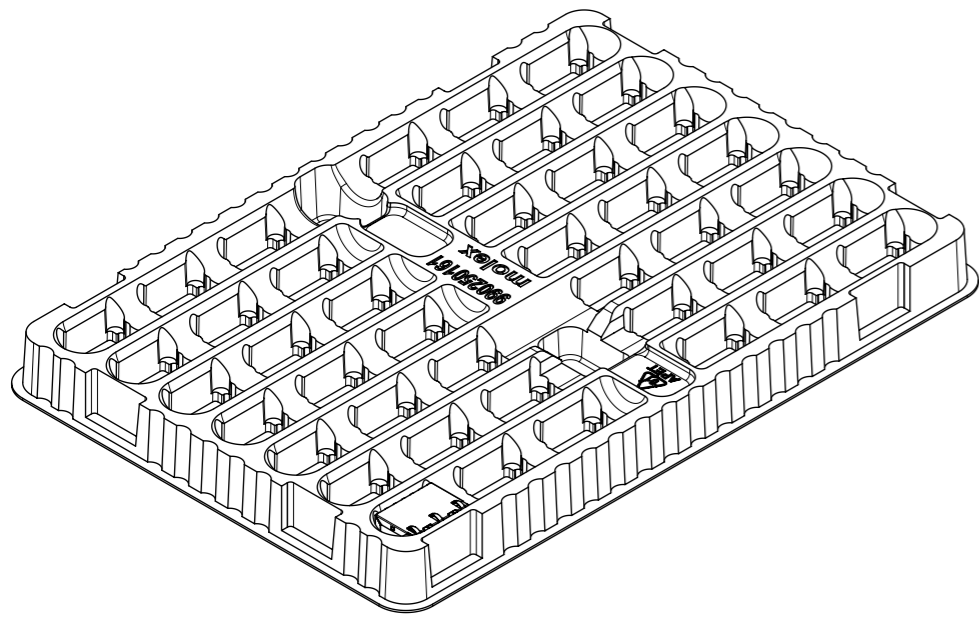
PORT B



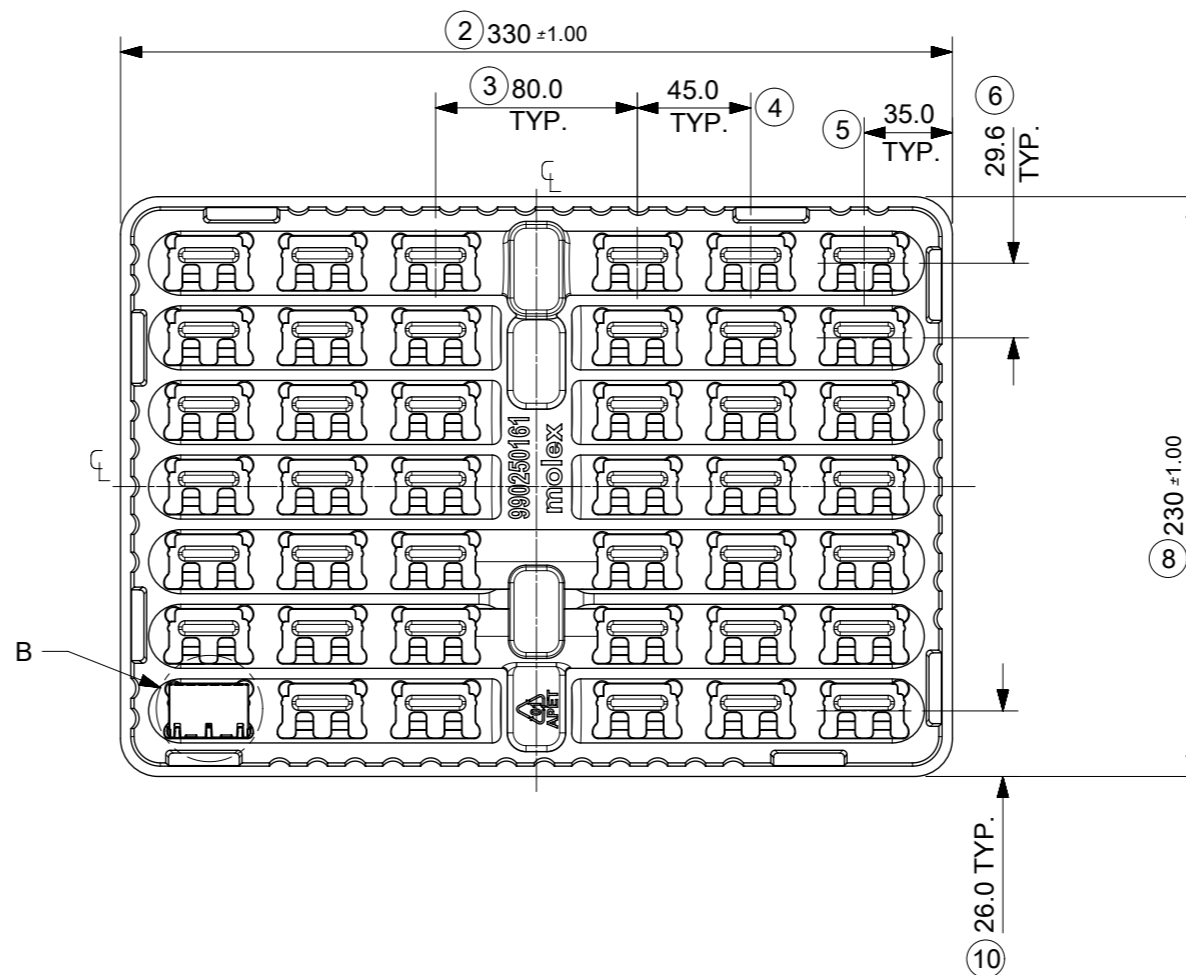
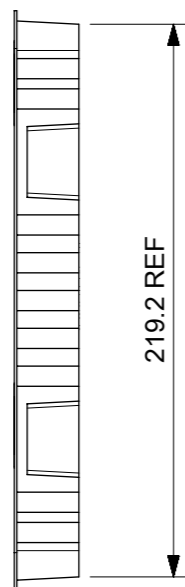
Description	Value	
OCL @100 kHz, 0.1 V 8 mA DC bias (-40°C to +85°C)	350 μH min.	
Turns ratio	1CT:1CT	
Transmission characteristics @ 25°C, all four pairs		
Insertion Loss		
Frequency f, (MHz)	Limits (dB max.)	Typical Values (dB max.)
1.0-9.9	0.4+0.1*log(f)	0.5 @ 10 MHz
10-49.9	0.5+0.3*log(f/10)	0.7 @ 50MHz
50-79.9	1+1.4*log(f/80)	1.0 @ 80 MHz
80-100	1.3+3*log(f/100)	1.3 @ 100 MHz
Return Loss		
Frequency f, (MHz)	Limits (dB min.)	Typical Values (dB min.)
1.0-39.9	18	18 @ 40 MHz
40-100	12-20*log(f/80)	10 @ 100 MHz
CMR		
Frequency f, (MHz)	Limits (dB min.)	Typical Values (dB min.)
1.0-100	30	30 @ 100 MHz
Next		
Frequency f, (MHz)	Limits (dB min.)	Typical Values (dB min.)
1.0-39.9	35	35 @ 40 MHz
40-100	33-20*log(f/50)	27 @ 100 MHz
Isolation PHY to wire side	2.25 kVDC/60sec	

THIS DRAWING CONTAINS INFORMATION THAT IS PROPRIETARY TO MOLEX ELECTRONIC TECHNOLOGIES, LLC AND SHOULD NOT BE USED WITHOUT WRITTEN PERMISSION									
DIMENSION UNITS		SCALE		CURRENT REV DESC: UPDATE TEMP RANGE FROM COMMERCIAL TO INDUSTRIAL.					
mm		1:1							
GENERAL TOLERANCES (UNLESS SPECIFIED)				EC NO: 646914				MXMAG DUAL PORT 4C FE INDUSTRIAL W/ LED	
ANGULAR TOL ± 2.0°				DRWN: DBYRNES 2020/09/18					
4 PLACES ±				CHK'D: LKATARZIENE 2020/10/15				PRODUCT CUSTOMER DRAWING	
3 PLACES ±				APPR: LKATARZIENE 2020/10/15					
2 PLACES ± 0.1				INITIAL REVISION:				DOCUMENT NUMBER	
1 PLACE ± 0.2				DRWN: DSHEA 2017/04/05					
0 PLACES ±				APPR: DBYRNES 2017/11/07				938280001	
DRAFT WHERE APPLICABLE MUST REMAIN WITHIN DIMENSIONS		THIRD ANGLE PROJECTION		DRAWING		SERIES		MATERIAL NUMBER	
				A2-SIZE		93828		SEE SHEET 1	
								CUSTOMER	
								GENERAL MARKET	
								SHEET NUMBER	
								3 OF 3	

DOCUMENT STATUS	P1	RELEASE DATE	2020/10/15	19:35:38
-----------------	----	--------------	------------	----------



DETAIL B
SCALE 3:2



NOTES:

1. MATERIAL: PETA ANTISTATIC
2. THICKNESS: 0.9 mm REF
3. COLOUR: CLEAR
4. BOW 2 mm MAXIMUM PER 330 mm
5. TWIST 2 mm MAXIMUM PER 330 mm
6. TRAY PART NO. AND RECYCLE LOGO TO BE CLEARLY MARKED ON TRAY
RECYCLE LOGO SHOULD BE APPROPRIATE TO MATERIAL USED
7. WHERE RELEVANT, DIMENSIONS SHOULD BE SYMMETRICAL ABOUT THE CENTRELINE
8. GENERAL PROFILE TOLERANCE $\frac{\text{R}}{0.40}$ ON NON DIMENSIONED FEATURES
9. PACKAGING SPECIFICATION: 938240001 PSK

DIMENSION NUMBERS DELETED: 7, 9, 11, 12
LAST INSPECTION NUMBER USED: 10

THIS DRAWING CONTAINS INFORMATION THAT IS PROPRIETARY TO MOLEX ELECTRONIC TECHNOLOGIES, LLC AND SHOULD NOT BE USED WITHOUT WRITTEN PERMISSION

ORIGINAL RELEASE EC NO: 123046 DRWN: DSHEA CHK'D: SMCGREEVY APPR: DBYRNES	2017/10/17 2017/10/23 2017/11/07	GENERAL TOLERANCES (UNLESS SPECIFIED) ANGULAR TOL $\pm 1.0^\circ$		DIMENSION UNITS mm	SCALE 1:3			
	4 PLACES \pm 3 PLACES \pm 2 PLACES ± 0.2 1 PLACE ± 0.5 0 PLACES \pm	DRWN BY SMCGREEVY	DATE 2017/06/15	MXMAG DUAL PORT TRAY				
	DRAFT WHERE APPLICABLE MUST REMAIN WITHIN DIMENSIONS	CHK'D BY SMCGREEVY	DATE 2017/10/23				PRODUCT CUSTOMER DRAWING	
	DRAWING SIZE A3	APPR BY DBYRNES	DATE 2017/11/07	SERIES 99025	MATERIAL NUMBER 990250150	CUSTOMER GENERAL MARKET		
RELEASE STATUS P1	RELEASE DATE 07.11.2017	10:13:22	DOCUMENT NUMBER 990250161	DOC TYPE PSD	DOC PART 000	SHEET NUMBER 1 OF 1		