

MATERIALS AND FINISHES:

BODY: BRASS  
 PLATED: GOLD (5μ-in MIN)  
 OVER NICKEL (50μ-in MIN)

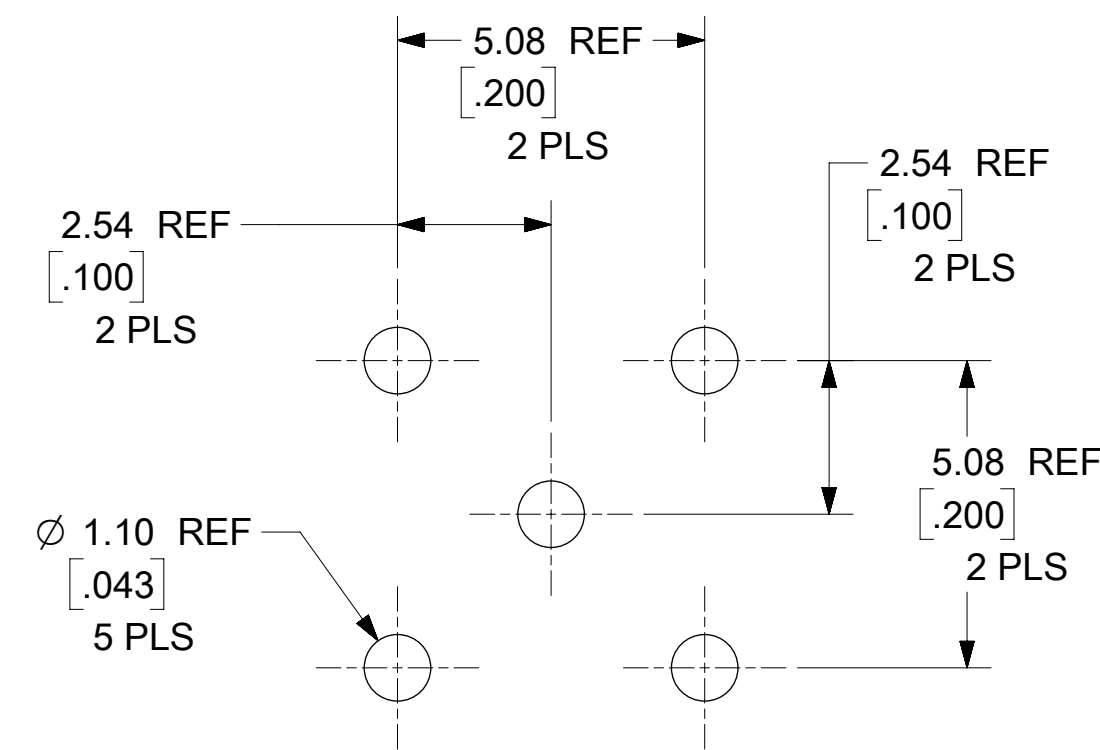
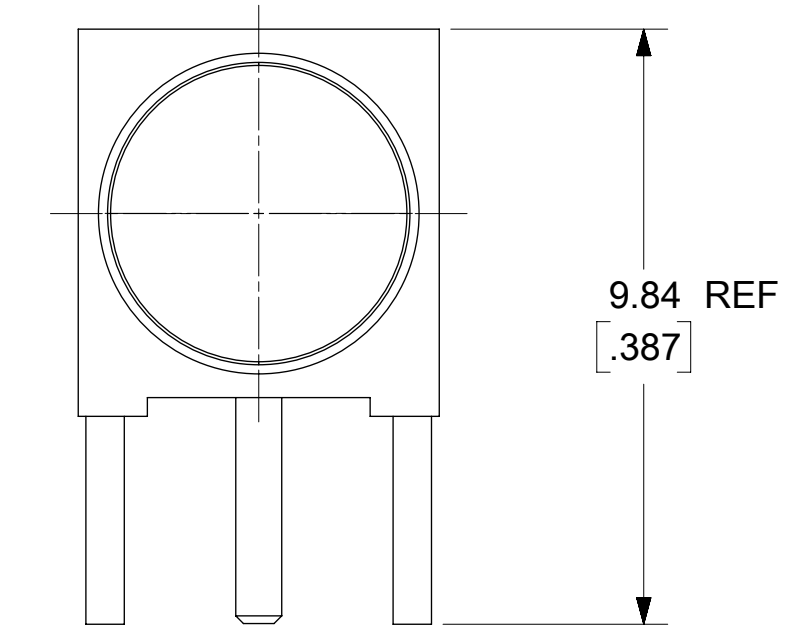
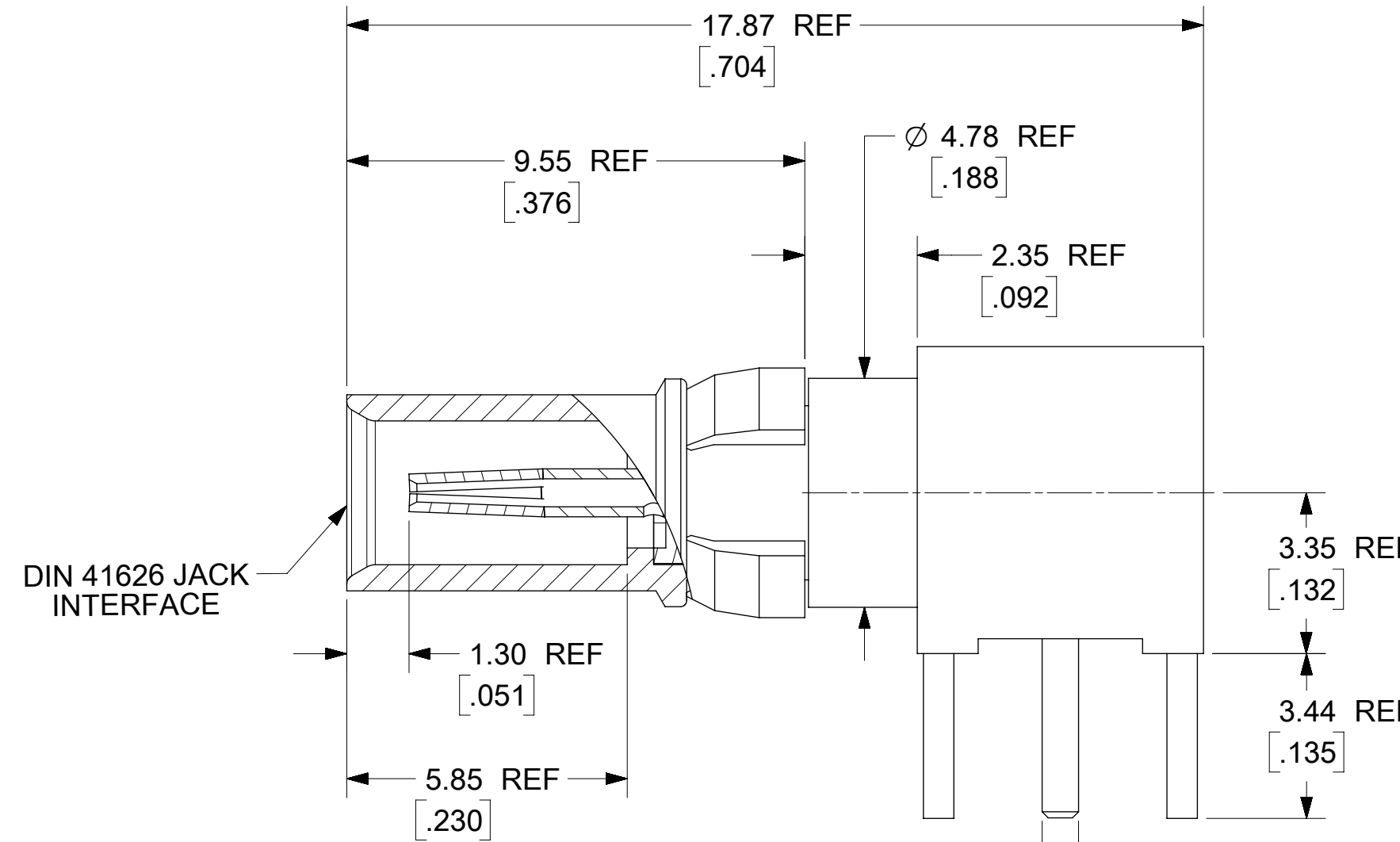
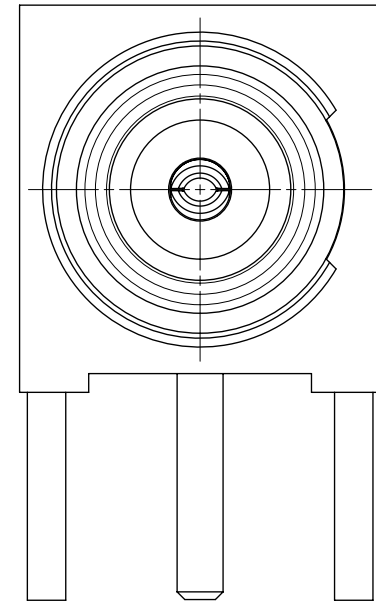
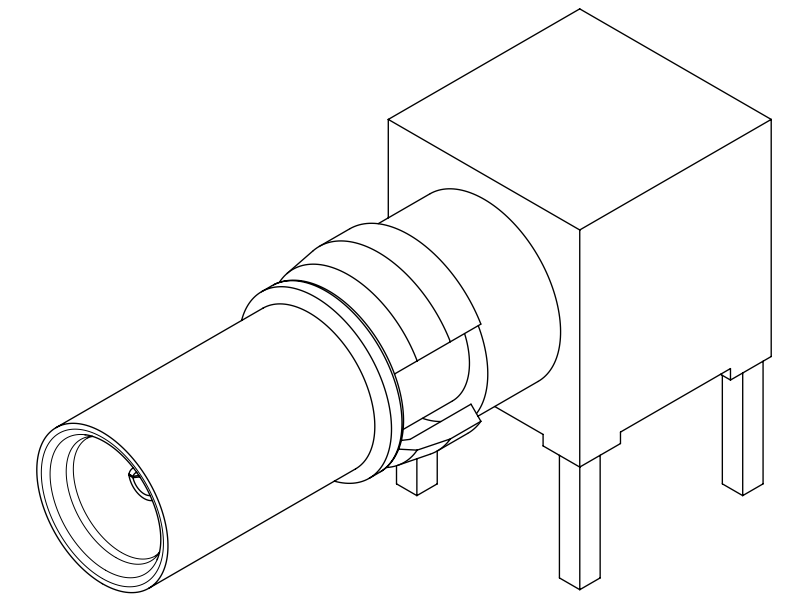
REAR BODY: BRASS  
 PLATED: GOLD (10μ-in MIN)  
 OVER NICKEL (100μ-in MIN)

CONTACT: BERYLLIUM COPPER  
 PLATED: GOLD (10μ-in MIN)  
 OVER NICKEL (100μ-in MIN)

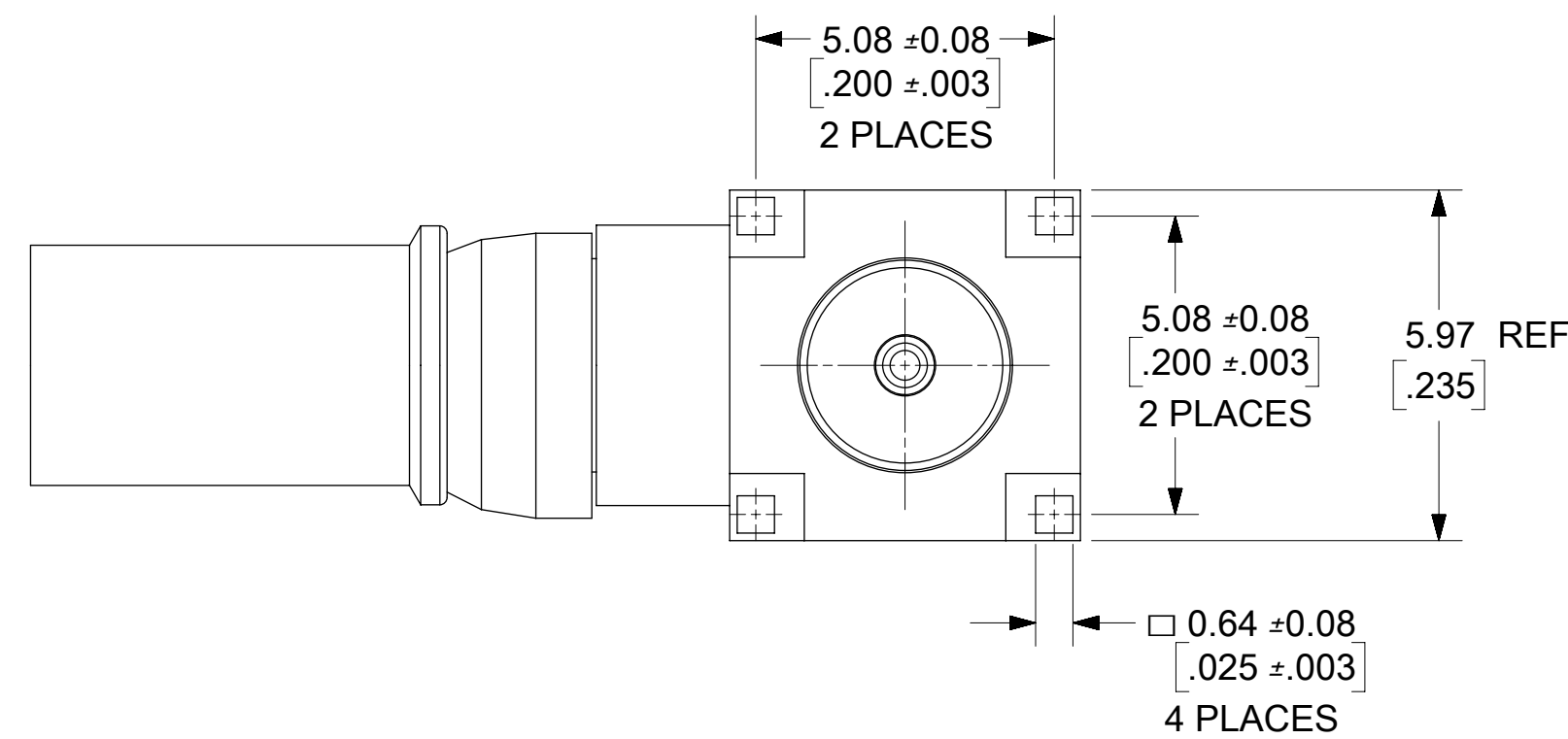
INSULATORS: PTFE

CAP: BRASS  
 PLATED: GOLD (20μ-in MIN)  
 OVER NICKEL (50μ-in MIN)

RETAINING CLIP: BERYLLIUM COPPER  
 PLATED: NICKEL (100μ-in MIN)



RECOMMENDED HOLE LAYOUT



PS-89675-3450	ELEC/MECH PERFORMANCE	73174-0042	ONE PER BAG
DIN 41626	INTERFACE SPECIFICATION	73174-0040	TRAY
SPECIFICATION	DESCRIPTION	PART NO.	PACKAGING

THIS DRAWING CONTAINS INFORMATION THAT IS PROPRIETARY TO MOLEX ELECTRONIC TECHNOLOGIES, LLC AND SHOULD NOT BE USED WITHOUT WRITTEN PERMISSION

QUALITY SYMBOLS ▽ = 0 ▽ = 0 ▽ = 0 ▽ = 0 ▽ = 0 ▽ = 0 ▽ = 0 ▽ = 0 ▽ = 0 ▽ = 0 ▽ = 0	MIGRATED AND REVISED 2016/11/15 2017/01/12 2017/01/18 EC NO: 110852 DRWN: APRAKASH01 CHKD: APRAKASH01 APPR: AROBERTSON	GENERAL TOLERANCES (UNLESS SPECIFIED)		DIMENSION UNITS MM	SCALE
		4 PLACES ±     ±	DRWN BY JWIENER	DATE 2011/04/04	
		3 PLACES ±     ± 0.01	CHK'D BY APRAKASH01	DATE 2017/01/12	
		2 PLACES ± 0.25 ±	APPR BY JWIENER	DATE 2011/04/04	
1 PLACES ±     ±	ANGULAR TOL = 2.0	DRAWING SIZE C	THIRD ANGLE PROJECTION		
0 PLACES ±     ±	DRAFT WHERE APPLICABLE MUST REMAIN WITHIN DIMENSIONS	PRODUCT CUSTOMER DRAWING			
B	SERIES 73174	MATERIAL NUMBER SEE TABLE	CUSTOMER		
RELEASE STATUS	RELEASE DATE	DOCUMENT NUMBER SD-73174-004	DOC TYPE PSD	DOC PART 000	SHEET NUMBER 1 OF 1