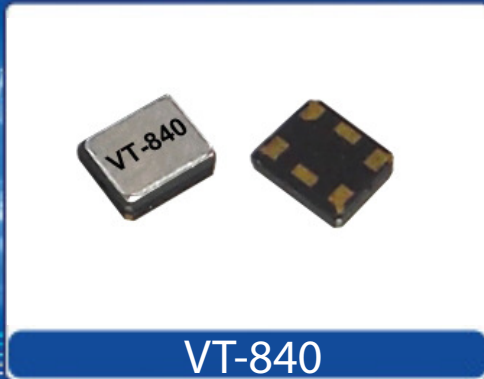



Helping Customers Innovate, Improve & Grow


VT-840

Description

Vectron's VT-840 Temperature Compensated Crystal Oscillator (TCXO) is a quartz stabilized, clipped sine wave output, analog temperature compensated oscillator, operating off a 1.8, 2.5, 2.8, 3.0 or 3.3 volt supply in a hermetically sealed 2.5x2.0 ceramic package.

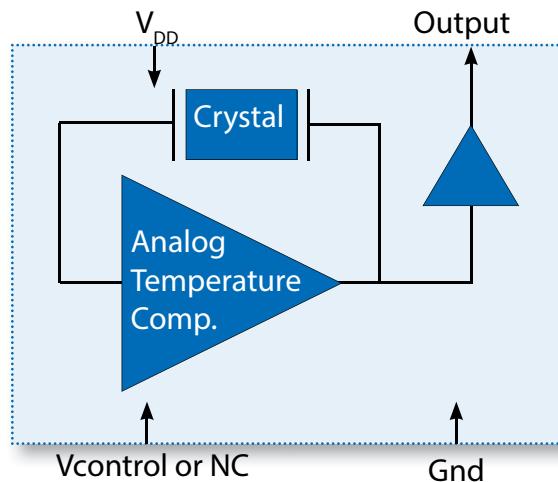
Features

- Output Frequencies to 52 MHz
- ± 0.5 ppm Temperature Stability
- Fundamental Crystal Design
- Optional VCXO Function available
- Low Power
- Hermetically Sealed Ceramic SMD package
- Product is compliant to RoHS directive  and fully compatible with lead free assembly

Applications

- Wireless Communications
- GPS
- Base Stations
- Point to point radios
- Broadband Access
- Test Equipment
- Handsets

Block Diagram



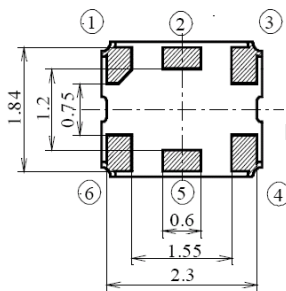
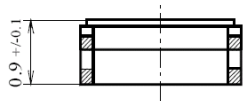
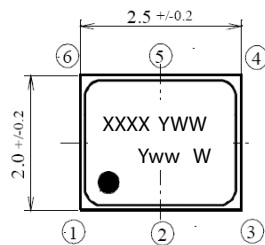
Specifications

Table 1. Electrical Performance

Parameter	Symbol	Min.	Typ	Max	Units
Output Frequency	f_o	10.000		52.000	MHz
Supply Voltage ¹ , <i>ordering option</i>	V_{DD}	+1.8, +2.5, +2.8, +3.0, +3.3			V
Supply Current, 10.000 to 26.000MHz 26.001 to 52.000MHz	I_{DD}			2.0 2.5	mA mA
Operating Temperature, <i>ordering option</i>	T_{OP}	-20/70, -30/85, -40/85			°C
Stability Over T_{OP} , <i>ordering option</i>		±0.5, ±1.0, ±1.5, ±2.0, ±2.5			ppm
Initial Accuracy ² , "No Adjust" Option				±1.0	ppm
Power Supply Stability				±0.2	ppm
Load Stability				±0.2	ppm
Aging				±1.0	ppm/1st yr
Pull Range, <i>ordering option</i>	TPR	±5, ±8, ±10, ±12			ppm
Control Voltage to reach Pull Range, 1.8V option +2.5V, +2.8V, +3.0V and +3.3 V options		0.3 0.5		1.5 2.5	V V
Control Voltage Impedance		500			Kohm
Output Level ³	V_o p/p	0.8			V
Output Load			10K 10pF		
Phase Noise, 26.000MHz 10Hz 100Hz 1kHz 10kHz 100kHz			-85 -110 -130 -148 -148		dBc/Hz
Start Up Time				2	ms

1. The VT-840 power supply pin should be filtered, eg, a 0.1 and 0.01 uf capacitor
2. Initial Accuracy is before IR reflow, allow and additional 1ppm shift through 2 reflows and 24 hours.
3. The Output is DC coupled and would normally be AC coupled with a capacitor.

Outline Drawing



Bottom View

Dimensions in mm

Marking Information

Line 1

XXXX - Frequency (Example: 4500 for 45MHz)

YWW - Date Code of Crystal

Y - Year

WW - Week of the Year

Line 2

Yww - Date Code of TCXO

Y - Year

ww - Week of the Year

W - Manufacturing Location

• - Pin 1 Indicator

Recommended Pad Layout

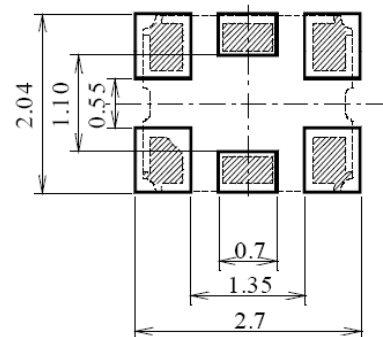


Table 2. Pinout

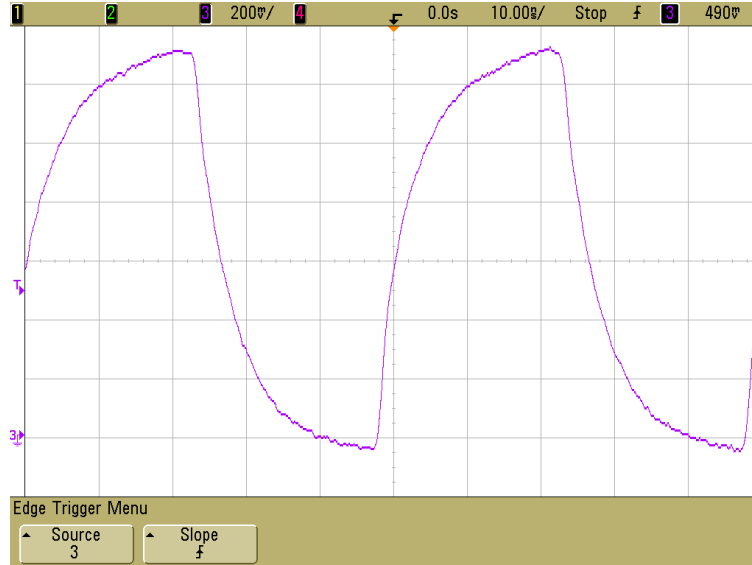
Pin #	Symbol	Function
1	V_C	TCXO Control Voltage or Ground
2	NC	Make No Connection
3	GND	Electrical and Lid Ground
4	F_o	Output Frequency
5	NC	Make No Connection
6	V_{DD}	Supply Voltage

VCXO Function

VCXO Feature: The VT-840 can be ordered with a VCXO function for applications where it will be used in a PLL, or the output frequency needs fine tune or calibration adjustments. This is a high impedance input, 500 Kohm, and can be driven with an op-amp or terminated with adjustable resistors etc. **Pin 1 should not be left floating on the VCXO optional device.**

“No Adjust” Option: In applications where the VT-840 will not be used in a PLL, or the output frequency does not need fine tune adjustments, the best device to use would be a VT-840-xxx-xxx0. By using the “no adjust” option, the circuit is simplified as V_c does not need to be adjusted or set to a predetermined voltage and pin 1 should be grounded (pin 1 can be left open but should not be set to a voltage such as an RF signal or power supply voltage).

Clipped Sine Wave Output



Maximum Ratings

Absolute Maximum Ratings and Handling Precautions

Stresses in excess of the absolute maximum ratings can permanently damage the device. Functional operation is not implied or any other excess of conditions represented in the operational sections of this data sheet. Exposure to absolute maximum ratings for extended periods may adversely affect device reliability.

Although ESD protection circuitry has been designed into the VT-840, proper precautions should be taken when handling and mounting, VI employs a Human Body Model and Charged Device Model for ESD susceptibility testing and design evaluation.

ESD thresholds are dependent on the circuit parameters used to define the model. Although no industry standard has been adopted for the CDM a standard resistance of 1.5kOhms and capacitance of 100pF is widely used and therefore can be used for comparison purposes.

Table 3. Maximum Ratings			
Parameter	Symbol	Rating	Unit
Storage Temperature	T_{STORE}	-55/125	°C
Supply Voltage	V_{DD}	-0.6 to 6	V
Control Voltage	V_C	0/ V_{DD}	V
ESD, Human Body Model	HBM	1500	V
ESD, Charged Device Model	CDM	100	V

Table 4. Environmental Compliance	
Parameter	Condition
Mechanical Shock	MIL-STD-883 Method 2002
Mechanical Vibration	MIL-STD-883 Method 2007
Temperature Cycle	MIL-STD-883 Method 1010
Solderability	MIL-STD-883 Method 2003
Fine and Gross Leak	MIL-STD-883 Method 1014
Resistance to Solvents	MIL-STD-883 Method 2015
Moisture Sensitivity Level	MSL1
Contact Pads	Gold (0.5um min - 0.8um max) over Nickel

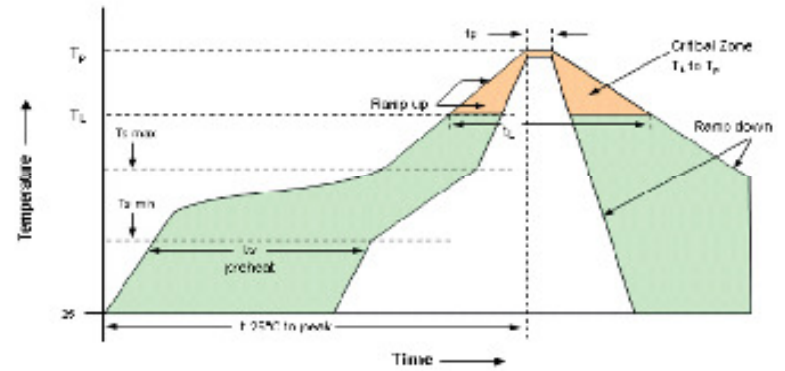
IR Compliance

Suggested IR Profile

Devices are built using lead free epoxy and can be subjected to standard lead free IR reflow conditions shown in Table 5. Contact pads are gold over nickel and lower maximum temperatures can also be used, such as 220C.

Table 5. Reflow Profile		
Parameter	Symbol	Value
PreHeat Time	t_s	200 sec Max
Ramp Up	R_{UP}	3°C/sec Max
Time above 217°C	t_L	150 sec Max
Time to Peak Temperature	t_{AMB-P}	480 sec Max
Time at 260°C	t_P	30 sec Max
Time at 240°C	t_{P2}	60 sec Max
Ramp down	R_{DN}	6°C/sec Max

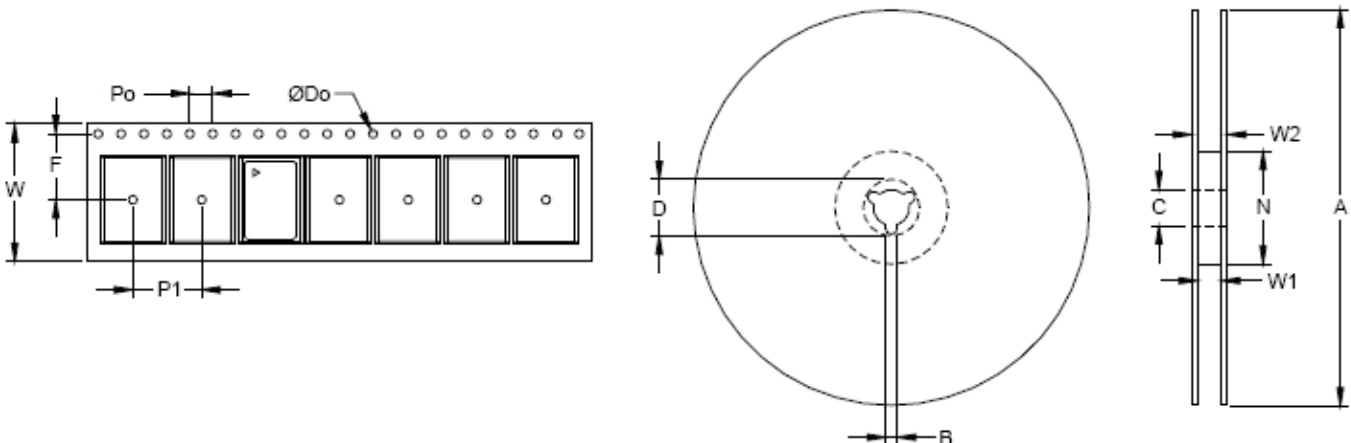
Solderprofile:



Tape & Reel

Table 6. Tape and Reel Information

Tape Dimensions (mm)					Reel Dimensions (mm)							
W	F	Do	Po	P1	A	B	C	D	N	W1	W2	#/Reel
8.0	3.5	1.5	4.0	4.0	180	2.0	13	21.0	60.0	9.0	11.4	

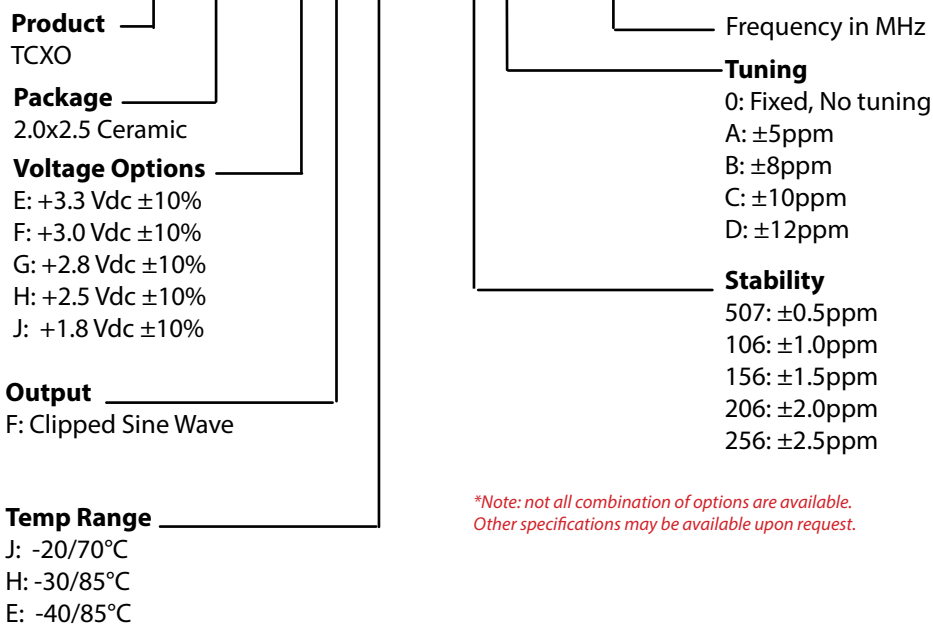


Ordering Information

Table 7. Standard Frequencies (MHz)

10.000	10.240	12.000	12.8000	14.000	14.400	16.000	16.369	16.384	16.800
19.200	20.000	24.000	25.000	25.6000	26.000	30.000	31.250	32.000	38.400
39.000	40.000	42.000	44.000	45.000	48.000	50.000	52.000		

VT-840- E F J - 5070- xxMxxxxxxx



**Note: not all combination of options are available.
Other specifications may be available upon request.*

Example: VT-840-EFJ-5070-26M0000000

*** Add SNPBDIP for tin lead solder dip**

Example: VT-840-EFJ-5070-26M0000000_SNPBDIP

Revision History

Revision Date	Approved	Description
May 17, 2013	VN	Removed 4-pad package option and retained only the 6-pad ppackage option.
Oct 29, 2013	VN	Updaetd Asia contact information
Feb 11, 2014	VN	Updated Vectron Logo and Hudson address
Sep 17, 2015	VN	Added Product Marking Information
Jan 17, 2017	RC	Update IR Compliance
Aug 10, 2018	FB	Update logo and contact information, add "SNPBDIP" ordering option



a  MICROCHIP company

Microsemi Headquarters

One Enterprise, Aliso Viejo, CA 92656 USA
Within the USA: +1 (800) 713-4113
Outside the USA: +1 (949) 380-6100
Sales: +1 (949) 380-6136
Fax: +1 (949) 215-4996
email: sales.support@microsemi.com
www.microsemi.com

Microsemi, a wholly owned subsidiary of Microchip Technology Inc. (Nasdaq: MCHP), offers a comprehensive portfolio of semiconductor and system solutions for aerospace & defense, communications, data center and industrial markets. Products include high-performance and radiation-hardened analog mixed-signal integrated circuits, FPGAs, SoCs and ASICs, power management products, timing and synchronization devices and precise time solutions, setting the world's standard for time; voice processing devices; RF solutions; discrete components; enterprise storage and communication solutions, security technologies and scalable anti-tamper products; Ethernet solutions; Power-over-Ethernet ICs and midspans, as well as custom design capabilities and services. Learn more at www.microsemi.com.

Microsemi makes no warranty, representation, or guarantee regarding the information contained herein or the suitability of its products and services for any particular purpose, nor does Microsemi assume any liability whatsoever arising out of the application or use of any product or circuit. The products sold hereunder and any other products sold by Microsemi have been subject to limited testing and should not be used in conjunction with mission-critical equipment or applications. Any performance specifications are believed to be reliable but are not verified, and Buyer must conduct and complete all performance and other testing of the products, alone and together with, or installed in, any end-products. Buyer shall not rely on any data and performance specifications or parameters provided by Microsemi. It is the Buyer's responsibility to independently determine suitability of any products and to test and verify the same. The information provided by Microsemi hereunder is provided "as is, where is" and with all faults, and the entire risk associated with such information is entirely with the Buyer. Microsemi does not grant, explicitly or implicitly, to any party any patent rights, licenses, or any other IP rights, whether with regard to such information itself or anything described by such information. Information provided in this document is proprietary to Microsemi, and Microsemi reserves the right to make any changes to the information in this document or to any products and services at any time without notice.

©2018 Microsemi, a wholly owned subsidiary of Microchip Technology Inc. All rights reserved. Microsemi and the Microsemi logo are registered trademarks of Microsemi Corporation. All other trademarks and service marks are the property of their respective owners.