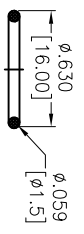
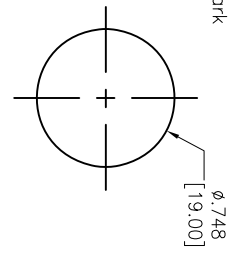
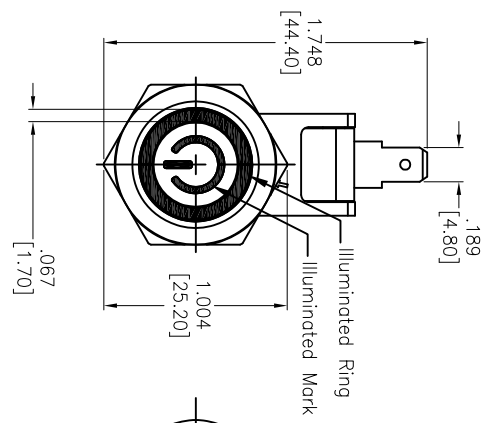
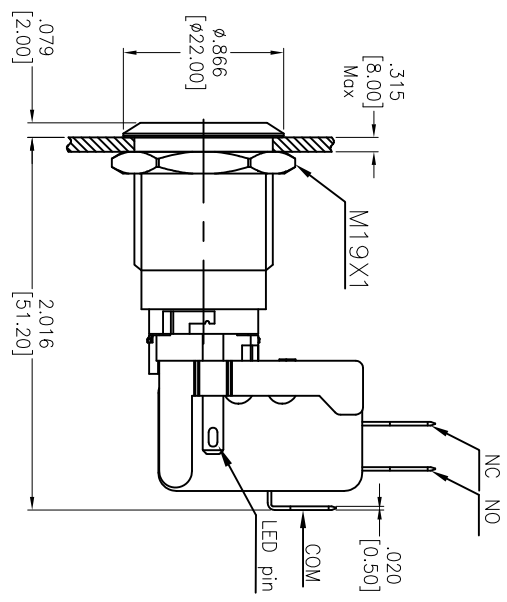


APPROVED: \_\_\_\_\_  
 DATE: \_\_\_\_\_ TITLE: \_\_\_\_\_

Rev	AWO #	Description	Date	Appr
-		RELEASED	11/2/21	
A		UPDATE SPEC.	11/12/21	WX/RC

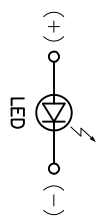
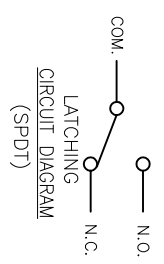


SEAL RING

PB7-06LB22FFPXXXXX

LED Ring Color	LED Voltage
R Red	6V AC/DC
G Green	12V AC/DC
Y Yellow	24V AC/DC
O Orange	110V AC/DC
B Blue	110V AC/DC
W White	220V AC/DC

Current (In Non electrical Inductive load)	Inductive load
AC250 15	10 3
DC8 15	4 6
DC30 10	10 4
DC125 0.6	0.6 0.1
DC250 0.3	0.3 0.05



Voltage U1	Resistive load	LED load	Inductive load	Inductive load/Electromotor load
AC250	15	2	10	3
DC8	15	4	10	6
DC30	10	4	10	4
DC125	0.6	0.1	0.6	0.1
DC250	0.3	0.05	0.3	0.05

**SPECIFICATIONS:**  
 Material:  
 Body: POM, Rated UL94V-0  
 Bushing: Stainless Steel  
 Button: Stainless Steel  
 Contact Material: Silver Alloy, (4.8mm)  
 Terminal: Brass, Silver plated  
 Electrical:  
 Voltage Rating: 220V  
 Contact resistance: 50 mΩ max.  
 Insulation resistance: 1000M ohms min @ 500V DC.  
 Dielectric withstanding voltage: 1500V RMS, 50Hz.  
 Electrical Life: 50,000 cycles min at full load.  
 Temperature Rating:  
 Operating temperature: -25°C to +55°C  
 Environmental:  
 IP65 Front Panel Protection  
 Lead free, RoHS compliant



909 Rahway Avenue,  
 Union, NJ 07083  
 Phone: 908-687-5000  
 Fax: 908-687-5710

**ADAM TECH**

UNLESS OTHERWISE SPECIFIED ALL DIMENSIONS ARE INCHES [MM]. TOLERANCES: EXCEPT AS NOTED

INCHES	HOLES
X .10	ØX ±.010
.XX ±.020	ØXX ±.015
.XXX ±.015	ØXXX ±.010

DRAWN	JJ	11/2/21
CHECKED	RC	11/2/21
APPROVED		

THIS DRAWING CONTAINS INFORMATION THAT IS PROPRIETARY AND SHOULD NOT BE USED WITHOUT PRIOR WRITTEN PERMISSION FROM ADAM TECH

SIZE	PART NO.	TITLE
X	PB7-06LB22FFPXXXXX	SWITCH, ANTI-VANDAL, PUSH BUTTON, HIGH CURRENT, SPDT, 19mm, LATCHING, ON-ON

REV.	SCALE:	SHEET	1 OF 1
A	NIS		