

RH-EE-02 | Folding handle with recessed tray

Stainless steel



MATERIAL

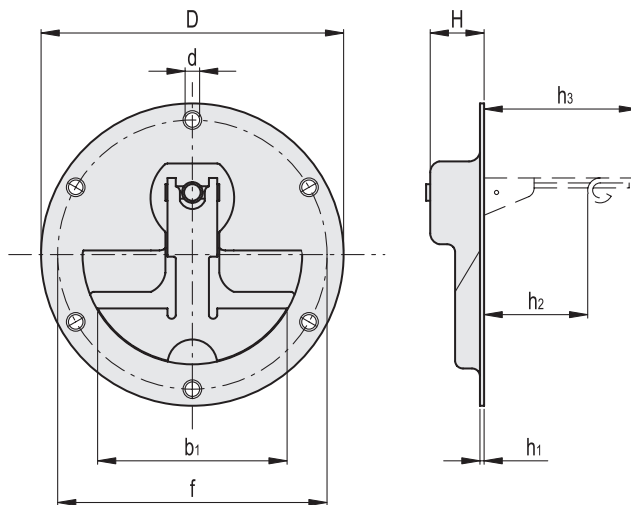
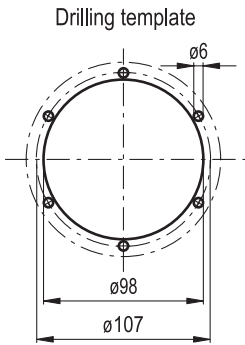
AISI 304 stainless steel with electropolished finish.
Handle with return spring from work to rest position.

STANDARD EXECUTION

Pass-through holes for M5 countersunk-head screws.

APPLICATIONS

RH-EE-02 series flush pull handles are generally used on devices where it is requested to save space.



Conversion Table 1 mm = 0.039 inch			
D		d	
mm	inch	mm	inch
120	4.72	5.5	0.22

Code	D	f	b1	H	h1	h2	h3	d	⚖️
RHEE-02.R120.39	120	107	75	20	1.5	40	62	5.5	214

- 1
- 2
- 3
- 4
- 5
- 6
- 7
- 8
- 9
- 10
- 11
- 12
- 13
- 14
- 15
- 16
- 17
- 18



Lift & Pull handles