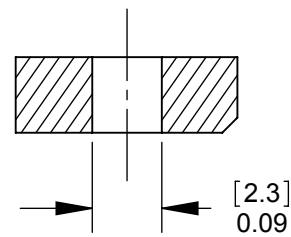
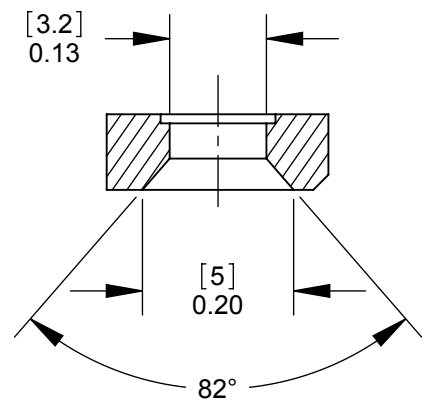


**PD3MSC1
FRONT MOUNT**
SECTION A-A
SCALE 4 : 1



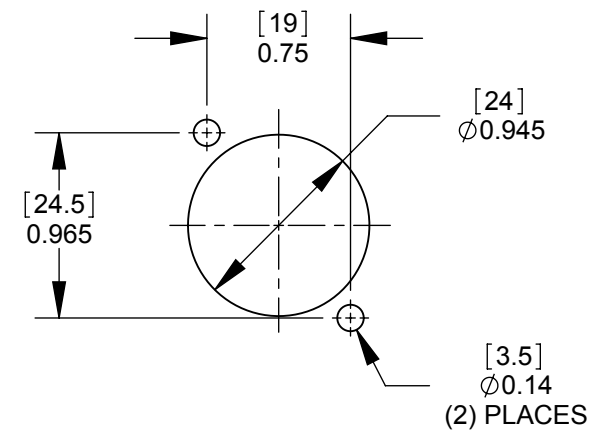
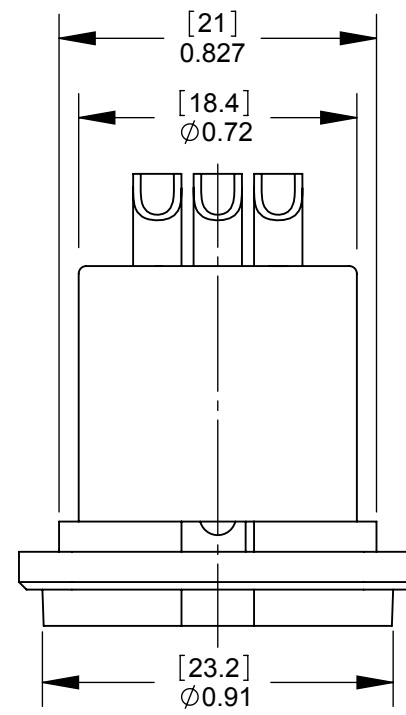
**PD3MSC2
REAR MOUNT**
SECTION A-A
SCALE 4 : 1



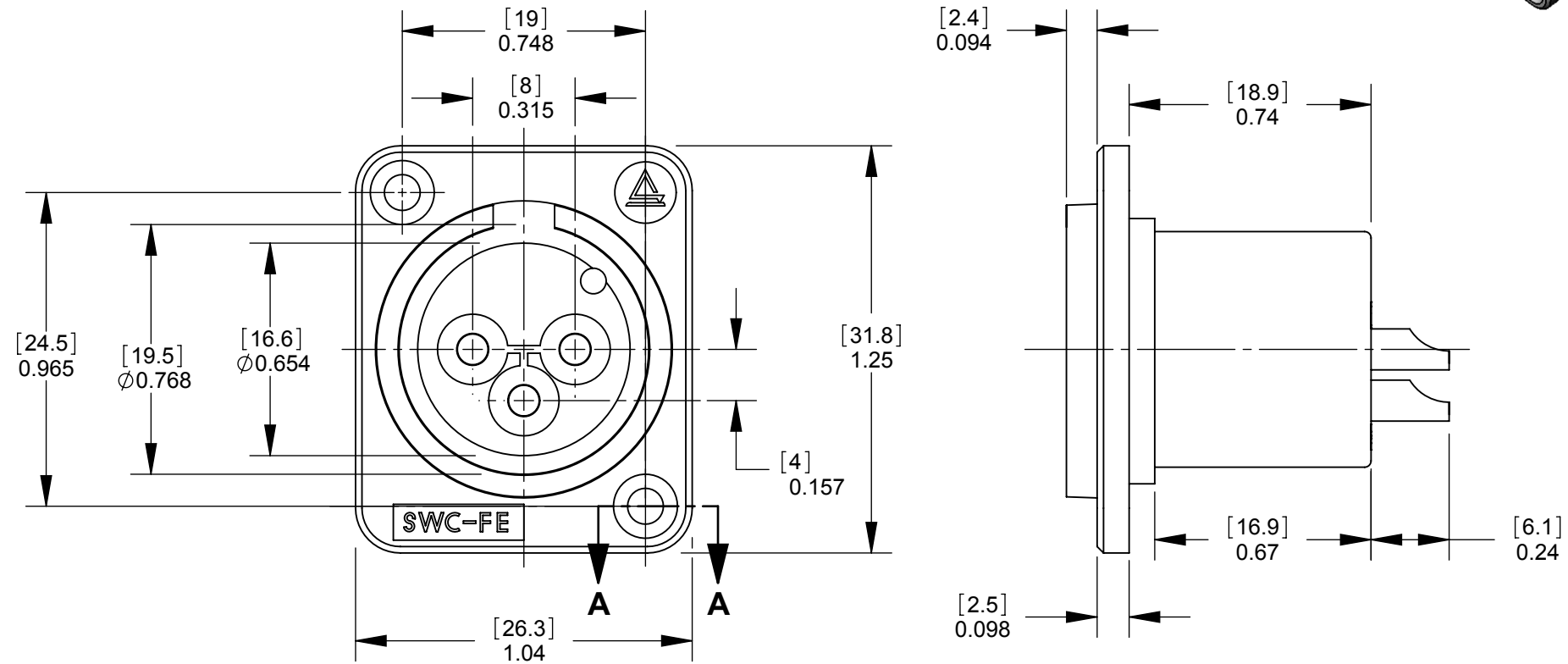
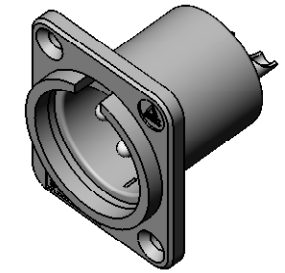
**PD3MSC3
REAR MOUNT**
SECTION A-A
SCALE 4 : 1

NOTES:

- MATERIALS:
HOUSING - THERMOPLASTIC, BLACK
PINS - COPPER ALLOY (SEE TABLE FOR FINISH)
- THESE PRODUCTS ARE RoHS COMPLIANT.



RECOMMENDED
PANEL CUT-OUT



CUSTOMER DRAWING

REV	ECO NUMBER	DATE	BY	APVD
A	22118	1/14/98	RS	TJK
REVISIONS				

UNLESS OTHERWISE SPECIFIED

1. ALL DIMENSIONS IN INCHES

- TWO PLACE DECIMALS ±0.02

- THREE PLACE DECIMALS ±0.005

DO NOT SCALE DRAWING

THIS DRAWING DESCRIBES A DESIGN CONSIDERED PROPRIETARY IN NATURE, DEVELOPED AND MANUFACTURED BY SWITCHCRAFT INC. AND IS RELEASED ON A CONFIDENTIAL BASIS FOR IDENTIFICATION PURPOSES ONLY.									
SIZE	WIDTH	MULT	LBS/M	*					
FINISH SPEC No.				MATERIAL SPEC No.					
FIRST USED ON				SCALE 2:1					
DATE DRAWN	BY	CHKD	APVD						
4/27/10	RS	RS	TJK						
NAME				PART No.				REV	
PLASTIC PANEL MOUNT QG CONNECTOR, SOLDERCUP, RoHS				PD3MSC SERIES				A	
SHEET 1 OF 1									