

LTC7821EUH High Density Hybrid Step-Down Synchronous Converter

DESCRIPTION

Demonstration circuit 2513A is a high efficiency, high power density hybrid converter. It can deliver 12V/20A with an input voltage from 36V to 72V. This demo board features the **LTC[®]7821**, which uses an architecture that merges soft-switching switched-capacitor topology with a traditional step-down converter to provide superior efficiency compared to the traditional switching architectures. It offers a high efficiency/high density and cost effective solution for nonisolated intermediate bus applications in power distribution, datacom and telecom as well as emerging 48V automotive systems.

External MOSFETs switch at a 500kHz fixed frequency for this demo board and can be programmed from 200kHz to 1.5MHz. The LTC7821's powerful 1Ω N-channel MOSFET gate drivers maximize efficiency and can drive multiple MOSFETs in parallel for higher power applications. Due to its current mode control architecture, multiple LTC7821s can be operated in a parallel, multiphase configuration with excellent current sharing and low output voltage ripple to enable much higher power applications. Other benefits include low EMI emissions due to a soft-switched front end and reduced MOSFET stress.

The LTC7821 design eliminates the inrush current typically associated with switched capacitor circuits by pre-balancing the capacitors on start-up. The LTC7821 also monitors system voltage, current and temperature for faults, and uses a sense resistor for overcurrent protection. It stops switching and pulls the **FAULT** pin low when a fault condition occurs. An onboard timer can be set for appropriate restart/retry times.

Additional features include ±1% output voltage accuracy over temperature, a clock output for multiphase operation, a power good output signal, short-circuit protection, monotonic output voltage start-up, optional external reference, undervoltage lockout and internal charge balance circuitry.

The LTC7821 data sheet must be used in conjunction with this demo board manual.

Design files for this circuit board are available at <http://www.linear.com/demo/DC2513A>

All registered trademarks and trademarks are the property of their respective owners.

PERFORMANCE SUMMARY Specifications are at T_A = 25°C

PARAMETER	CONDITION	VALUE
Input Voltage Range		36V to 72V
Output Voltage, V _{OUT}	V _{IN} = 36V to 72V, I _{OUT} = 0A to 20A	12V
Maximum Output Current, I _{OUT}	V _{IN} = 36V to 72V, V _{OUT} = 12V	20A
Typical Efficiency	V _{IN} = 48V, V _{OUT} = 12V, I _{OUT} = 20A	97.3%
Peak Efficiency	V _{IN} = 48V, V _{OUT} = 12V	97.5%
Switching Frequency		500kHz

QUICK START PROCEDURE

Demonstration circuit 2513A is easy to set up to evaluate the performance of the LTC7821. Refer to Figure 1 for the proper measurement equipment setup and follow the procedure below.

1. With power off, connect the input power supply to V_{IN} (36V to 72V) and GND (input return).
2. Connect the output loads between V_{OUT} and GND (Initial load: no load). Refer to Figure 1.
3. Connect the DVMs to the input and output.
4. Check the default jumper/switch position: SW1 (RUN): OFF; JP2 (BIAS): ON.
5. Turn on the input power supply and adjust voltage to 48V;
NOTE. Make sure that the input voltage does not exceed 72V.
6. Turn on the switches: SW1: ON.
7. Check for the proper output voltages from VO_{SNS}^+ to VO_{SNS}^- .

8. Once the proper output voltage is established, adjust the loads within the operating range and measure the efficiency, output ripple voltage and other parameters.
9. After completing all tests, adjust the load to 0A, power off the input power supply.

Notes:

1. When measuring the output or input voltage ripple, do not use the long ground lead on the oscilloscope probe. See Figure 2 for the proper scope probe technique. Short, stiff leads need to be soldered to the (+) and (-) terminals of an output capacitor. The probe's ground ring needs to touch the (-) lead and the probe tip needs to touch the (+) lead.
2. When doing the load step test with the onboard dynamic load circuit, please make sure the load step-up pulse duty cycle does not exceed 2% and the pulse duration is less than 500 μ s so that the temperature of the MOSFETs Q9, Q10 in the dynamic load circuit stay in the safe region. Instead of using the onboard dynamic load circuit, an electric load can also be used for the load step test, which does not have the 2% max duty cycle limit for the load step.

QUICK START PROCEDURE

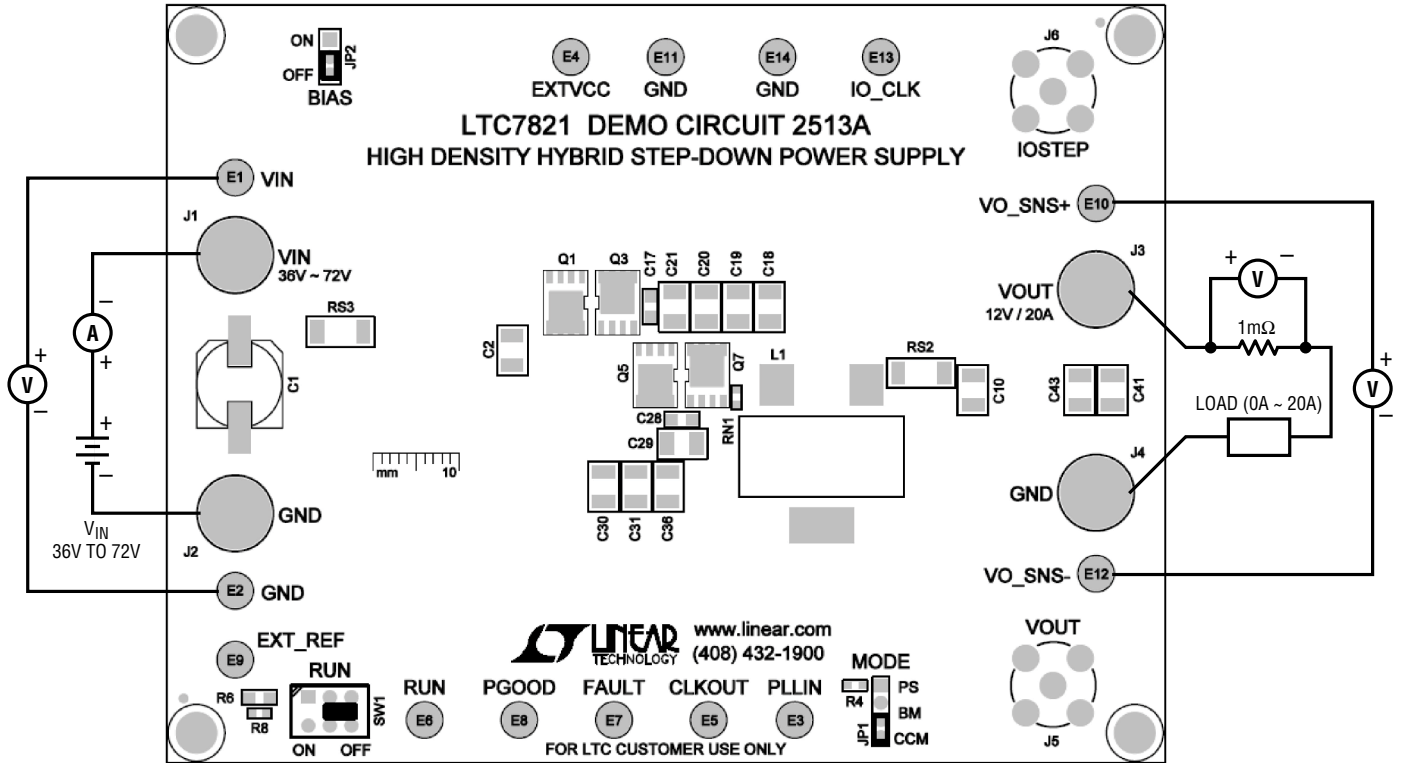


Figure 1. Proper Measurement Equipment Setup

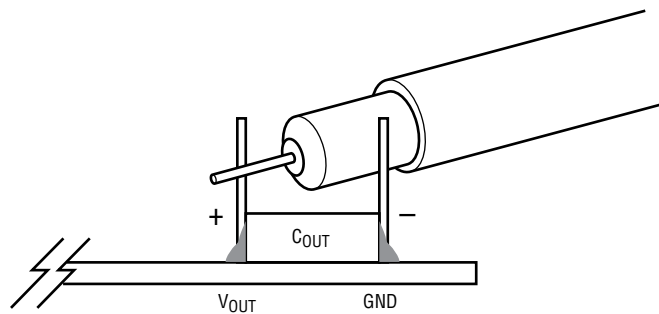


Figure 2. Measuring Output Voltage Ripple

DEMO MANUAL DC2513A

QUICK START PROCEDURE

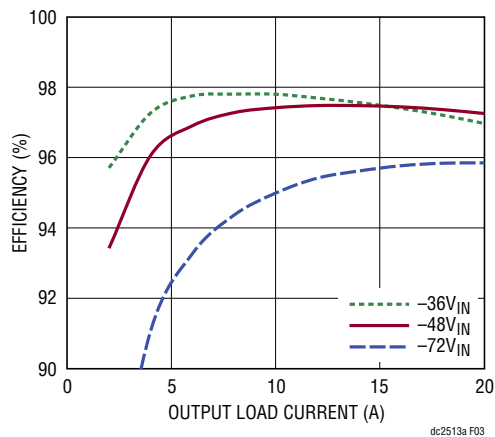


Figure 3. Efficiency vs Load Current at $V_{IN} = 36V \sim 72V$, $V_{OUT} = 12V$, $f_{SW} = 500kHz$

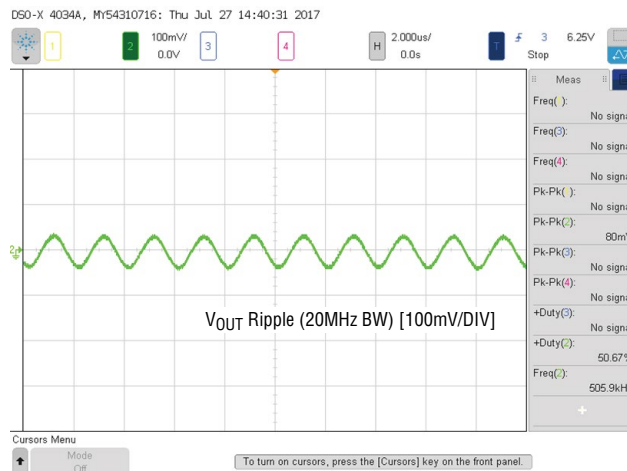


Figure 4. Output Voltage Ripple at $V_{IN} = 48V$, $V_{OUT} = 12V$, $I_{OUT} = 20A$, $f_{SW} = 500kHz$



Figure 5. Load Step at $V_{IN} = 48V$, $V_{OUT} = 12V$



Figure 6. Thermal Performance $V_{IN} = 48V$, $V_{OUT} = 12V$, $I_{OUT} = 20A$, $T_A = 23^{\circ}C$, No Airflow

PARTS LIST

ITEM	QTY	REFERENCE	PART DESCRIPTION	MANUFACTURER/PART NUMBER
Required Circuit Components				
1	1	C1	CAP, 33 μ F 20% 80V POLYMER HYBRID ALUM ELEC	PANASONIC EEHA1K330P
2	8	C2, C3, C47, C49, C56, C57, C58, C59	CAP, 1210 2.2 μ F 10% 100V X7R	MURATA GRM32DR72A225KA12K
3	4	C4, C5, C15, C37	CAP, 0603 0.1 μ F 10% 100V X7R	MURATA GRM188R72A104KA35D
4	1	C6	CAP, 0805 4.7 μ F 10% 16V X7R	MURATA GRM21BR71C475KA73K
5	1	C7	CAP, 0805 4.7 μ F 10% 25V X7R	MURATA GRM21BR71E475KA73L
6	2	C8, C40	CAP, 0603 0.22 μ F 10% 25V X7R	MURATA GRM188R71E224KA88D
7	1	C9	CAP, 0603 0.47 μ F 10% 25V X7R	MURATA GRM188R71E474KA12D
8	19	C10, C18, C19, C20, C21, C22, C23, C24, C25, C29, C30, C31, C32, C33, C34, C35, C36, C41, C43	CAP, 1210 10 μ F 10% 50V X7R	MURATA GRM32ER71H106KA12L
9	2	C17, C28	CAP, 0805 2.2 μ F 10% 50V X7R	TDK C2012X7R1H225K125AC
10	3	C26, C27, C50	CAP, 0603 1 μ F 20% 25V X5R	AVX 06033D105MAT2A
11	1	C39	CAP, 6800pF, X7R, 50V, 10%, 0603	AVX 06035C682KAT2A
12	2	C42, C44	CAP, 150 μ F 20% 16V	PANASONIC 16SVPC150M
13	1	C45	CAP, 56pF, COG, 25V, 5%, 0603	MURATA GRM1885C1H560JA01D
14	2	C52, C53	CAP, 1210 22 μ F 10% 25V X5R	AVX 12103D226KAT2A
15	1	C54	CAP, 0603 47nF 10% 25V X7R	AVX 06033C473KAT2A
16	1	C55	CAP, 0603 220pF 10% 50V X7R	AVX 06035C221KAT2A
17	3	D1, D2, D3	DIODE, SCHOTTKY	CENTRAL SEMI. CMDSH-4E-TR LEAD-FREE
18	1	L1	IND, 2 μ H 20%	COILCRAFT SER2011-202MLD
19	1	L2	IND, 68 μ H	COILCRAFT LPS6225-683MRB
20	1	Q1	XSTR, N-CHANNEL MOSFET	INFINEON BSZ070N08LS5ATMA1
21	2	Q3, Q5	XSTR, N-CHANNEL MOSFET	INFINEON BSC032N04LS
22	1	Q7	XSTR, N-CHANNEL MOSFET	INFINEON BSC014N04LSI
23	2	Q9, Q10	XSTR, MOSFET N-CHANNEL 40V TO-252	VISHAY SILICONIX SUD50N04-8M8P-4GE3
24	4	RS1, RS2, RS3, RS4	RES, 2010 0.001 Ω 1% 2W	PANASONIC ERJ-MP3PF1M0U
25	2	R1, R7	RES, 0603 1k Ω 1% 0.1W	VISHAY CRCW06031K00FKEA
26	1	R2	RES, 0603 2.2 Ω 5% 0.1W	VISHAY CRCW06032R20JNEA
27	1	R4	RES, 0603 20k Ω 1% 0.1W	VISHAY CRCW060320K0FKEA
28	6	R5, R10, R12, R19, R20, R32	RES, 0603 0 Ω JUMPER	VISHAY CRCW06030000Z0EA
29	1	R6	RES, 0805 1M Ω 1% 0.125W	VISHAY CRCW08051M00FKEA
30	1	R8	RES, 0603 39.2k Ω 1% 1/10W	VISHAY CRCW060339K2FKEA
31	3	R9, R13, R28	RES, 0603 10k Ω 1% 0.1W	VISHAY CRCW060310K0FKEA
32	1	R15	RES, 0603 100k Ω 1% 0.1W	VISHAY CRCW0603100KFKEA
33	1	R16	RES, 0603 68k Ω 1% 0.1W	VISHAY CRCW060368K0FKEA
34	1	R17	RES, 0805 6.81k Ω 1% 0.1W	VISHAY CRCW08056K81FKEA
35	1	R18	RES, 0603 29.4k Ω 1% 1/10W	VISHAY CRCW060329K4FKEA
36	1	R23	RES, 0805 60.4k Ω 1% 0.125W	VISHAY CRCW080560K4FKEA
37	1	R25	RES, 0603 4.32k Ω 1% 0.1W	VISHAY CRCW06034K32FKEA

DEMO MANUAL DC2513A

PARTS LIST

ITEM	QTY	REFERENCE	PART DESCRIPTION	MANUFACTURER/PART NUMBER
38	1	R26	RES, 0603 154k Ω 1% 0.1W	VISHAY CRCW0603154KFKEA
39	1	R27	RES, 0603 20k Ω 5% 0.1W	VISHAY CRCW060320K0JNEA
40	1	R29	RES, 0603 80.6k Ω 1% 0.1W	VISHAY CRCW060380K6FKEA
41	1	R30	RES. 2010 0.1 Ω 1% 1W	VISHAY WSL2010R1000FEA18
42	1	U1	IC	LINEAR TECH. LTC7821EUH#PBF
43	1	U2	IC, SYNCHRONOUS STEP-DOWN CONVERTER	LINEAR TECH. LTC3630EMSE#PBF

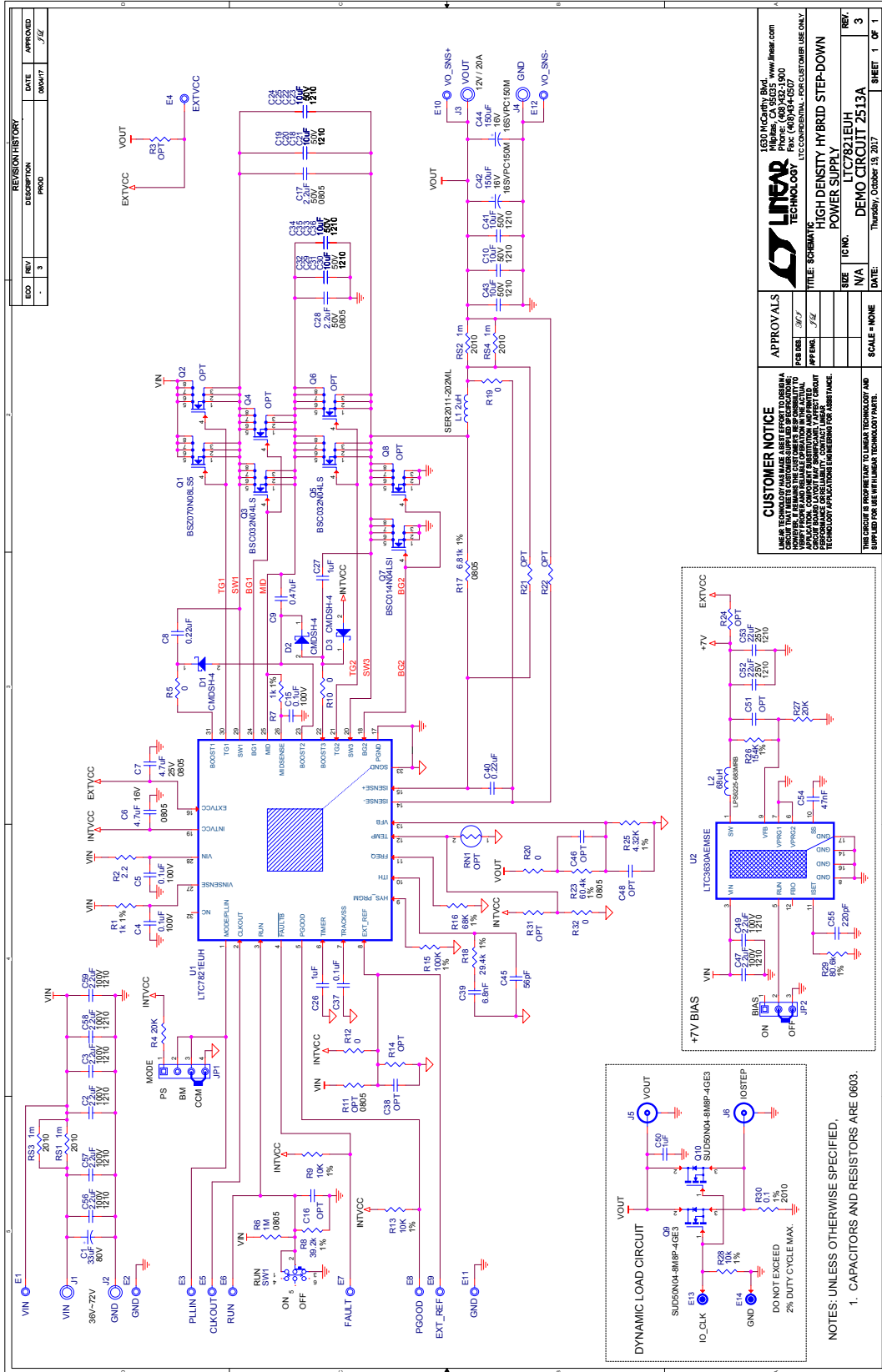
Required Circuit Components

1	0	C16, C38, C46, C48, C51	CAP, 0603 OPTION	OPTION
2	0	R3, R11, R14, R21, R22, R24, R31	RES, 0603 OPTION	OPTION
3	0	Q2, Q4, Q6, Q8	XSTR, N-CHANNEL MOSFET OPTION	OPTION

Additional Demo Board Circuit Components

1	14	E1, E2, E3, E4, E5, E6, E7, E8, E9, E10, E11, E12, E13, E14	TURRET	MILL-MAX 2501-2-00-80-00-00-07-0
2	1	JP1	HEADER, 4-PIN, 2mm	WURTH ELEKTRONIK 62000411121
3	1	JP2	HEADER, 3-PIN 2mm	WURTH ELEKTRONIK 62000311121
4	4	J1, J2, J3, J4	JACK, BANANA	KEYSTONE 575-4
5	2	J5, J6	CON, BNC, 5 PINS	CONNEX 112404
6	1	SW1	SWITCH, SUBMINATURE SLIDE	C&K COMPONENTS, JS202011CQN
7	2	XJP1, XJP2	SHUNT 2mm	WURTH ELEKTRONIK 60800213421
8	4		STANDOFF, SNAP ON	KEYSTONE 8834

SCHEMATIC DIAGRAM



DEMO MANUAL DC2513A

DEMONSTRATION BOARD IMPORTANT NOTICE

Linear Technology Corporation (LTC) provides the enclosed product(s) under the following **AS IS** conditions:

This demonstration board (DEMO BOARD) kit being sold or provided by Linear Technology is intended for use for **ENGINEERING DEVELOPMENT OR EVALUATION PURPOSES ONLY** and is not provided by LTC for commercial use. As such, the DEMO BOARD herein may not be complete in terms of required design-, marketing-, and/or manufacturing-related protective considerations, including but not limited to product safety measures typically found in finished commercial goods. As a prototype, this product does not fall within the scope of the European Union directive on electromagnetic compatibility and therefore may or may not meet the technical requirements of the directive, or other regulations.

If this evaluation kit does not meet the specifications recited in the DEMO BOARD manual the kit may be returned within 30 days from the date of delivery for a full refund. **THE FOREGOING WARRANTY IS THE EXCLUSIVE WARRANTY MADE BY THE SELLER TO BUYER AND IS IN LIEU OF ALL OTHER WARRANTIES, EXPRESSED, IMPLIED, OR STATUTORY, INCLUDING ANY WARRANTY OF MERCHANTABILITY OR FITNESS FOR ANY PARTICULAR PURPOSE. EXCEPT TO THE EXTENT OF THIS INDEMNITY, NEITHER PARTY SHALL BE LIABLE TO THE OTHER FOR ANY INDIRECT, SPECIAL, INCIDENTAL, OR CONSEQUENTIAL DAMAGES.**

The user assumes all responsibility and liability for proper and safe handling of the goods. Further, the user releases LTC from all claims arising from the handling or use of the goods. Due to the open construction of the product, it is the user's responsibility to take any and all appropriate precautions with regard to electrostatic discharge. Also be aware that the products herein may not be regulatory compliant or agency certified (FCC, UL, CE, etc.).

No License is granted under any patent right or other intellectual property whatsoever. **LTC assumes no liability for applications assistance, customer product design, software performance, or infringement of patents or any other intellectual property rights of any kind.**

LTC currently services a variety of customers for products around the world, and therefore this transaction **is not exclusive**.

Please read the DEMO BOARD manual prior to handling the product. Persons handling this product must have electronics training and observe good laboratory practice standards. **Common sense is encouraged.**

This notice contains important safety information about temperatures and voltages. For further safety concerns, please contact a LTC application engineer.

Mailing Address:

Linear Technology
1630 McCarthy Blvd.
Milpitas, CA 95035

Copyright © 2004, Linear Technology Corporation