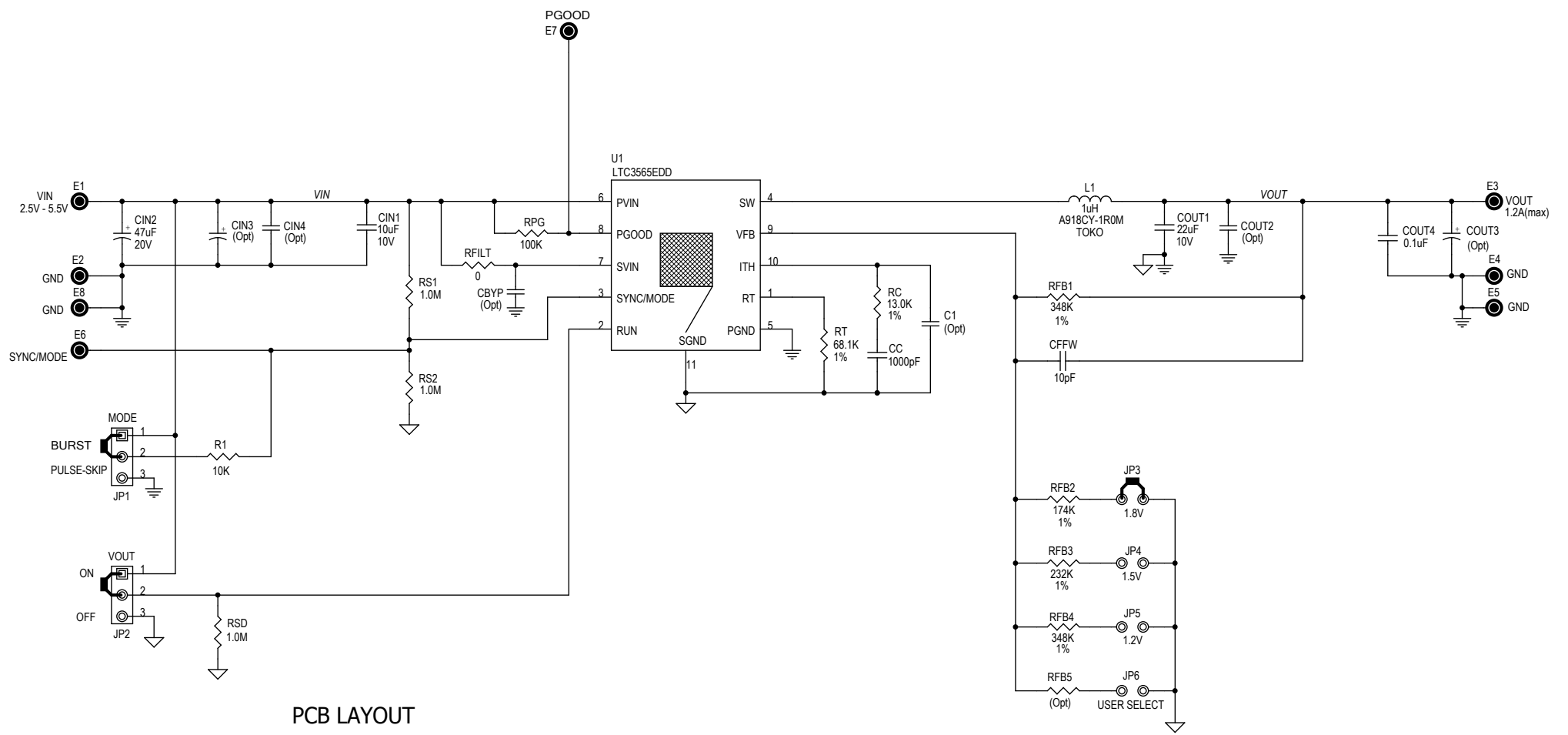
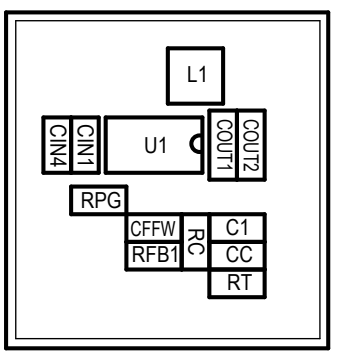


REVISION #				REVISION HISTORY		
SD	PC	AD	FD	DESCRIPTION	DATE	APPROVED
0	0	0	0	1st Release		

★ CIN1 IS AN OPTIONAL CAPACITOR. IT IS INSERTED ON THE DC1159A TO DAMPEN THE (POSSIBLE) RINGING VOLTAGE DUE TO THE LONG INPUT LEADS. ON A NORMAL, TYPICAL PCB, WITH SHORT TRACES, THE CAPACITOR IS NOT NEEDED.



PCB LAYOUT



This circuit is proprietary to Linear Technology and supplied for use with Linear Technology parts.  
**Customer Notice:** Linear Technology has made a best effort to design a circuit that meets customer-supplied specifications; however, it remains the customer's responsibility to verify proper and reliable operation in the actual application. Component substitution and printed circuit board layout may significantly affect circuit performance or reliability. Contact Linear Applications Engineering for assistance.

APPROVALS		LINEAR TECHNOLOGY CORPORATION	
<b>DRAWN:</b> Rudy Bautista		1630 McCARTHY BLVD	www.linear.com
<b>ENGINEER:</b> Tom Gross		MILPITAS, CA. 95035	LTC Confidential -
<b>APPROVED:</b>		(408)432-1900	For Customer Use Only
<b>CHECKED:</b>		(408)434-0507 (FAX)	
Date: Tuesday, March 03, 2009		Title: LTC3565EDD Monolithic Synchronous Buck Regulator	
C:\ORCADWIN\CAPTURE\1159A\1159A_REV1.DSN		SD Document Number	Rev 1
		<b>Demo Circuit 1159A</b>	
Sheet 1 of 1			