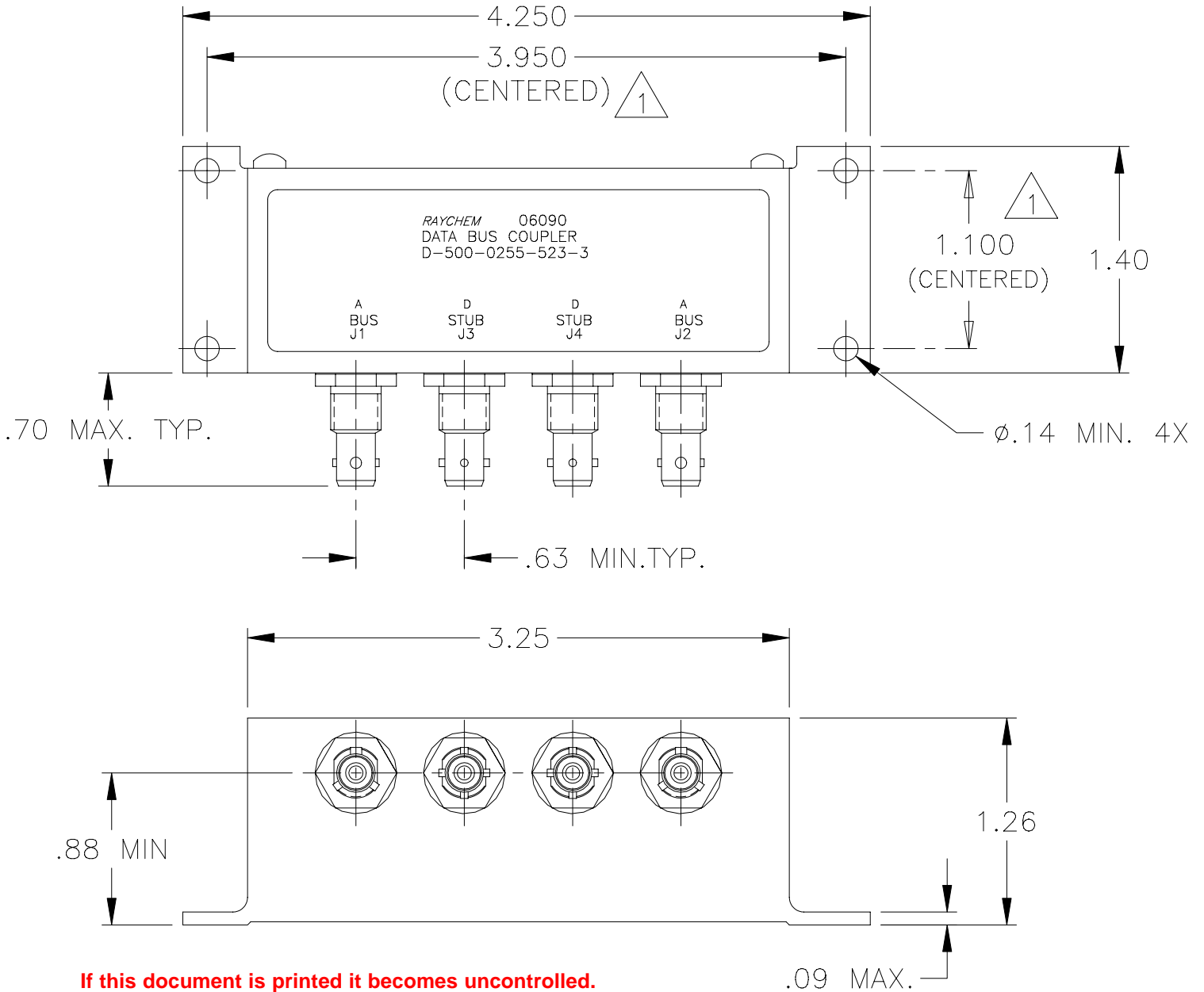


REVISIONS			
LTR	DESCRIPTION	DATE	APPROVED
NC	RELEASED PER ECN# T-20899	96JUL16	Z. TEMAN

NOTES:

1 HOLE PATTERN MACHINED SYMMETRIC TO MOUNTING FLANGE.



If this document is printed it becomes uncontrolled.
Check with the web for latest revision.

SPECIFICATION CONTROL DRAWING

UNLESS OTHERWISE SPECIFIED
DIMENSIONS ARE IN INCHES.
METRIC DIMENSIONS ARE
IN BRACKETS.

DECIMALS
.XXX ±.010 [— mm]
.XX ±.03 [— mm]

ANGLES
.X — ± —

WEIGHT:
[138g MAX]

DRAWN	Z.E.T.	96 JUL 16
CHECKED		
APPROVED		
APPROVED	Z.TEMAN	96 JUL 16
CAD NAME	004914-1.DWG	

Raychem

RAYCHEM CORPORATION
300 CONSTITUTION DRIVE
MENLO PARK, CALIFORNIA 94025

TITLE

2 STUB
DATA BUS BAYONET COUPLER
WITH TRIAXIAL CONNECTORS

THIRD ANGLE PROJECTION	
---------------------------	--

SIZE	CODE IDENT. NO.	DWG. NO.	REV
A	06090	D-500-0255-523-3	NC
DO NOT SCALE THIS DRAWING			SHEET 1 OF 2

1.0 INTERMATEABILITY

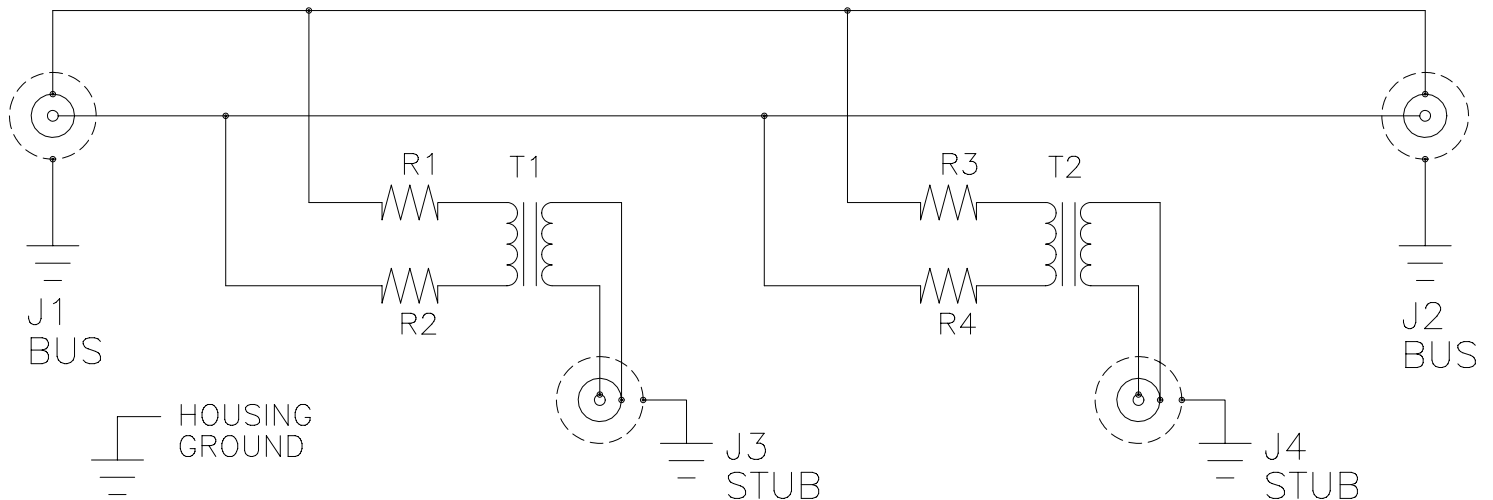
CONNECTOR BOX JACK	MATING PLUG	KEY
DK-621-0434-1S	DK-621-0433-1P	A
DK-621-0440-4S	DK-621-0439-4P	D

2.0 PERFORMANCE

- 2.1 THIS COUPLER IS DESIGNED TO MEET THE APPLICABLE FUNCTIONAL REQUIREMENT OF RAYCHEM SPECIFICATION D-6021.
- 2.2 THE COUPLER SHALL OPERATE UNDER ANY OF THE ENVIRONMENTAL SERVICE CONDITIONS AS SPECIFIED IN MIL-E-5400, CLASS ∇ UPGRADED TO 125°C CONTINUOUS OPERATION.
- 2.3 ALTITUDE: SEA LEVEL TO 75,000 FEET
- 3.0

BUS JACKS J1 AND J2	STUB JACKS J3 AND J4
DK-621-0434-1S "A"	DK-621-0440-4S "D"

**If this document is printed it becomes uncontrolled.
Check with the web for latest revision.**

SCHEMATIC DIAGRAM

CAD NAME: 004914-2	DRAWN	Z.E.T.	96 JUL 15	SIZE	CODE IDENT. NO.	DWG. NO.	REV
	ISSUED			A	06090	D-500-0255-523-3	NC
DO NOT SCALE THIS DRAWING						SHEET 2 OF 2	