



# CFM260S Series

## Application Note V10

### 260W AC-DC Power Supply with PFC CFM260S Series APPLICATION NOTE



Approved By:

Department	Approved By	Checked By	Written By
Research and Development Department	Enoch	Yang/Wei-Cheng	Tab
		Ovid	
Quality Assurance Department	Jack	Benny	



# CFM260S Series

## Application Note V10

---

### Content

<b>1. INTRODUCTION</b>	<b>3</b>
<b>2. ELECTRICAL BLOCK DIAGRAM</b>	<b>3</b>
<b>3. MAIN FEATURES AND FUNCTIONS</b>	<b>4</b>
3.1 <i>Operating Temperature Range</i>	4
3.2 <i>Output Protection (Over Current Protection)</i>	4
<b>4. APPLICATIONS</b>	<b>4</b>
4.1 <i>Test Set-Up</i>	4
4.2 <i>Output Ripple and Noise Measurement</i>	4
4.3 <i>Installation Instruction</i>	4
4.4 <i>EMI Test</i>	5
4.5 <i>Mating Connectors</i>	6
<b>5. PACKING INFORMATION</b>	<b>7</b>



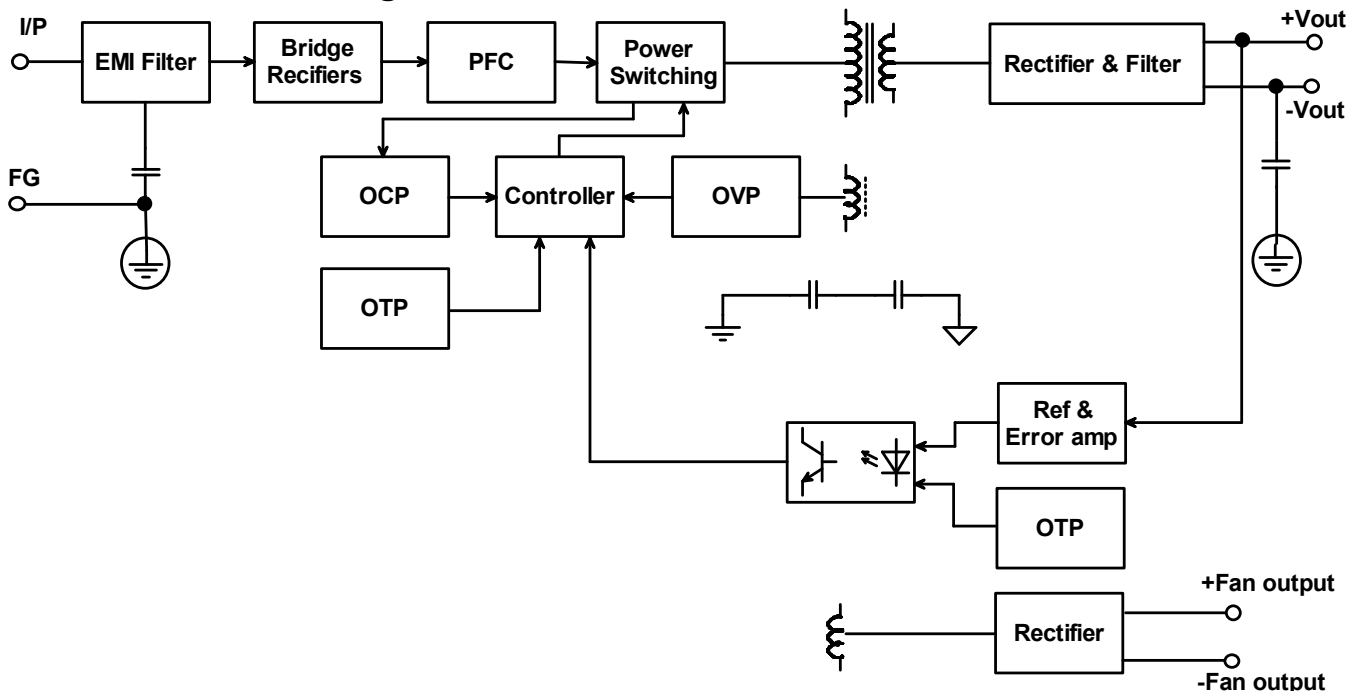
# CFM260S Series

## Application Note V10

### 1. Introduction

This application note describes the features and functions of Cincon's CFM260S series of open frame, switching AC-DC power module. These are highly efficient, reliable, compact, high power density, single output AC/DC power modules. The module is fully protected against short circuit and over-voltage conditions. Cincon's world class automated manufacturing methods, together with an extensive testing and qualification program, ensure that the CFM260S series power module is extremely reliable.

### 2. Electrical Block Diagram





# CFM260S Series

## Application Note V10

### 3. Main Features and Functions

#### 3.1 Operating Temperature Range

The highly efficient design of Cincon's CFM260S series power modules has resulted in their ability to operate within ambient temperature environments from -30°C to 80°C. Due consideration must be given to the de-rating curves when ascertaining the maximum power that can be drawn from the module. The maximum power which can be drawn is influenced by a number of factors, such as

- Input voltage range
- Permissible Output load (per derating curve)
- Effective heat sinks

#### 3.2 Output Protection (Over Current Protection)

The power modules provide full continuous short-circuit protection. The unit will auto recover once the short circuit is removed. To provide protection in a fault condition, the unit is equipped with internal over-current protection. The unit will operate normally once the fault condition is removed. The power module will go to hiccup mode if the output current is set from 130% to 180% of rated current.

### 4. Applications

#### 4.1 Test Set-Up

The basic test set-up to measure parameters such as efficiency and load regulation is shown in Figure 1. When testing the Cincon's CFM260S series under any transient conditions, please ensure that the transient response of the source is sufficient to power the equipment under test. We can calculate the

- Efficiency
- Load regulation and line regulation.

The value of efficiency is defined as:

$$\eta = \frac{V_o \times I_o}{P_{in}} \times 100\%$$

Where:

- Vo is output voltage
- Io is output current
- Pin is input power

The value of load regulation is defined as:

$$\text{Load reg.} = \frac{V_{FL} - V_{NL}}{V_{NL}} \times 100\%$$

Where:

- V<sub>FL</sub> is the output voltage at full load
  - V<sub>NL</sub> is the output voltage at 10% load
- The value of line regulation is defined as:

$$\text{Line reg.} = \frac{V_{HL} - V_{LL}}{V_{LL}} \times 100\%$$

Where:

- V<sub>HL</sub> is the output voltage of maximum input voltage at full load.
- V<sub>LL</sub> is the output voltage of minimum input voltage at full load.

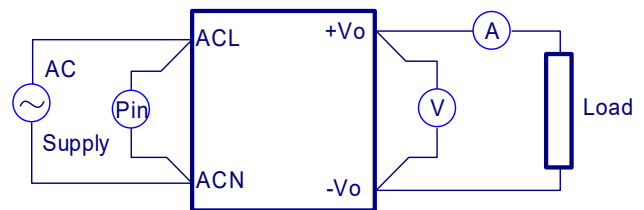


Figure 1. CFM260S Series Test Setup

#### 4.2 Output Ripple and Noise Measurement

The test set-up for noise and ripple measurements is shown in Figure 2. Measured method: Add a 0.1uF ceramic capacitor and a 10uF electrolytic capacitor to output at 20 MHz Band Width

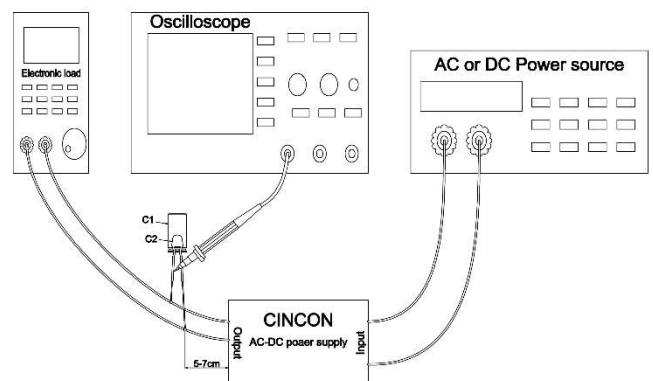


Figure 2. Output Voltage Ripple and Noise Measurement Set-Up

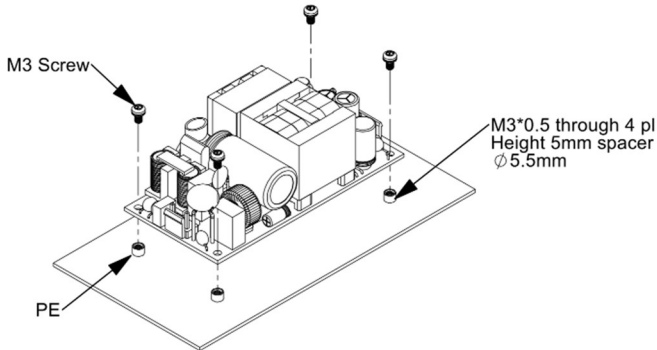
#### 4.3 Installation Instruction

The CFM260S series has four 3.2mm diameter mounting holes. There are three type installations for CFM260S. Please use the mounting holes as follows: Insert the spacer (5.5mm diameter max.) of 5mm height or more to mount the unit.



# CFM260S Series

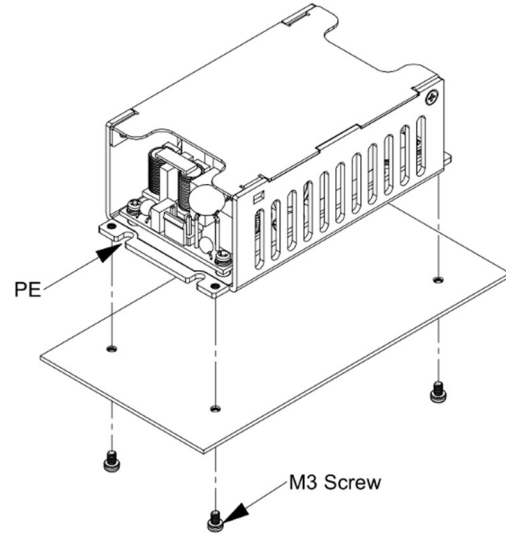
## Application Note V10



CFM260SXXX Installation Diagram

Note: M3 screw head and washer diameter shall not exceed 5.5mm.

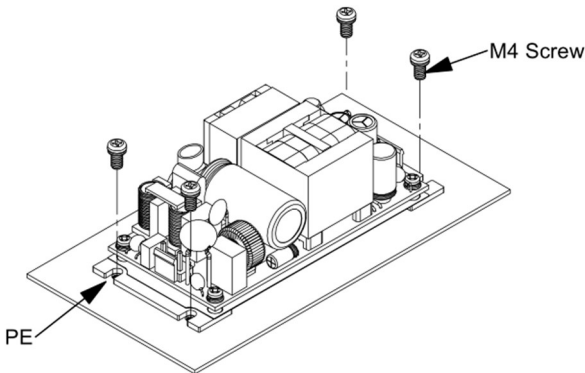
The CFM260S series provide the baseplate cooling for customer to increasing heat dissipation. Please refer to the following figure for installation.



CFM260SXXXC installation diagram

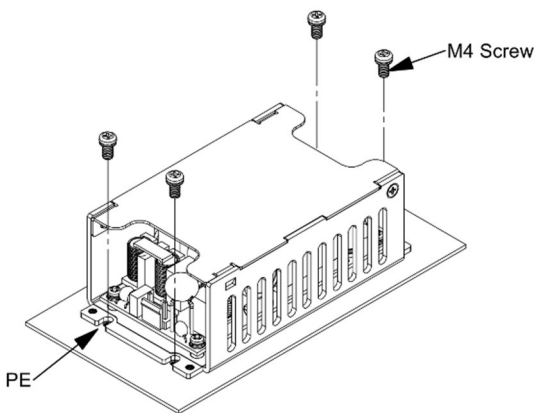
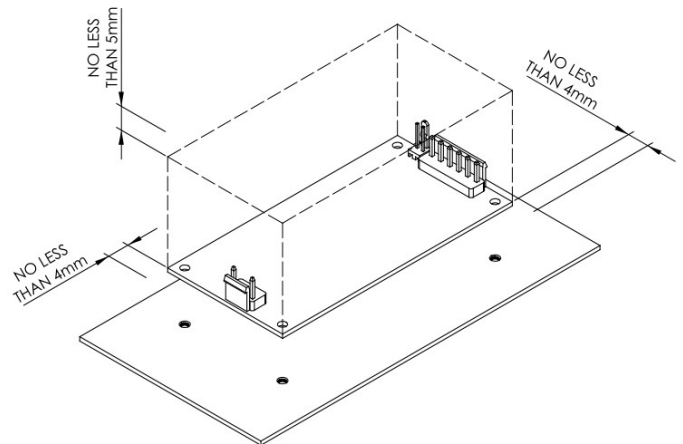
Note: M3&M4 screw head and washer diameter shall not exceed 5.5mm

Please allow 4mm side clearance from the components and all side of the PCB. Allow 5mm clearance above the highest parts on the PCB. Be especially careful to allow 5mm between the solder side of the PCB and the mounting surface. If the clearances are not sufficient the specifications for isolation and withstand will not be valid.



CFM260SXXX installation diagram

Note: M4 screw head and washer diameter shall not exceed 5.5mm.



FG should be connected to the earth (ground) terminal of the apparatus. If not the conducted noise and output noise will increase.

### 4.4 EMI Test

The CFM260s series Conductive EMI meets EN55032 Class B when test condition is Class I

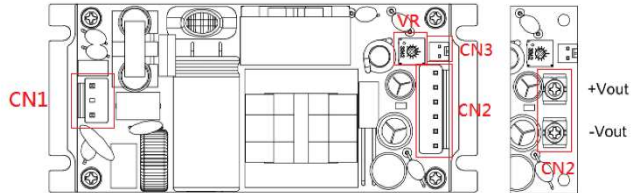
Radiation meet EN55032 Class B when test condition is Class I.



# CFM260S Series

## Application Note V10

### 4.5 Mating Connectors



AC Input (CN1)	Wafer: TAIWAN KING PIN TERMINAL PVHI series or equivalent. Housing: JST VHR series or equivalent.
DC Output (CN2)	Wafer (for 240,360,480): TAIWAN KING PIN terminal PVHI series or equivalent. Housing: JST VHR series or equivalent.
	M3 screw (only for 120) mate with round terminal. (Note: Round terminal of the max outer diameter is 6.75mm, max inner diameter is 3.9mm.)
Fan Output (CN3)	Wafer: Chyao shiunn JS-6001 series or equivalent. Housing: Chyao shiunn Housing JS-8001 series or equivalent.
LED	indicates that the power is on.
VR	Phillips screwdriver

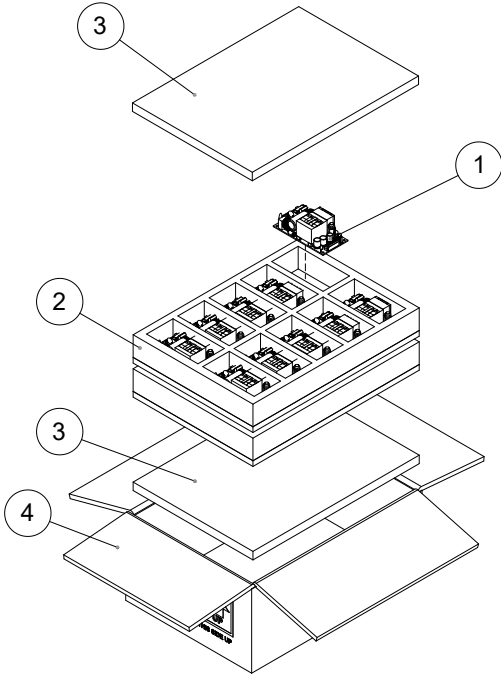


# CFM260S Series

## Application Note V10

### 5. Packing Information

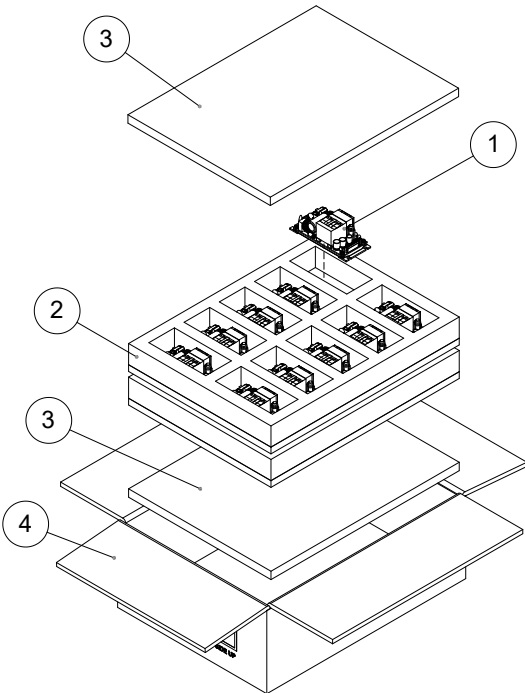
The packing information for CFM260SXXX series is showing as follows:



ITEM	PART NO.	NAME	OUTSIDE DIM(mm)	PCS
1	-	CFM260SXXX Product	101.6x50.8x36.6	20
2	G64301170	Antistatic Foam	340x245x50	2
3	G64308319	Antistatic Foam	340x245x15	2
4	G64112339	No.59 Cardboard Box	360.6x257.6x148.5	1

Each Box Packaging 20 PCS Products  
Gross weight Ref. 5.6 Kg

The packing information for CFM260SXXXB series is showing as follows:



ITEM	PART NO.	NAME	OUTSIDE DIM(mm)	PCS
1	-	CFM260SXXXB Product	116.8x50.8x38.6	20
2	G64301206	Antistatic Foam	390x295x50	2
3	G64301207	Antistatic Foam	390x295x15	2
4	G64112284	No.106 Cardboard Box	412.1x309.1x148.5	1

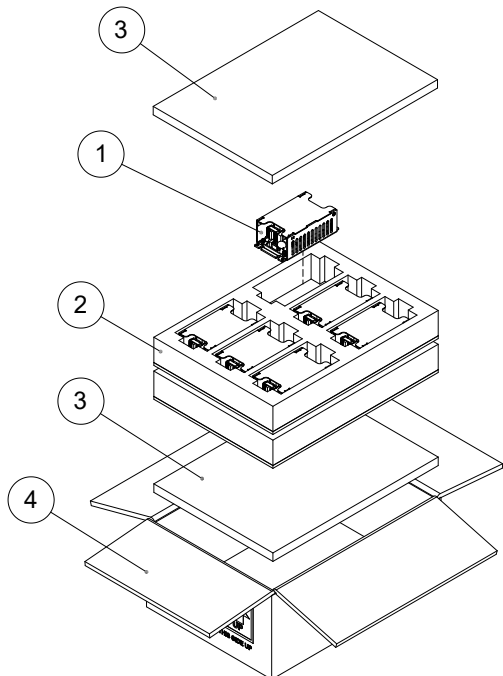
Each Box Packaging 20 PCS Products  
Gross weight Ref. 6.4 Kg



# CFM260S Series

## Application Note V10

The packing information for CFM260SXXXC series is showing as follows:



ITEM	PART NO.	NAME	OUTSIDE DIM(mm)	PCS
1	-	CFM260SXXXC Product	116.8x64x40.5	12
2	G64301171	Antistatic Foam	340x245x50	2
3	G64308319	Antistatic Foam	340x245x15	2
4	G64112339	No.59 Cardboard Box	360.6x257.6x148.5	1

Each Box Packaging 12 PCS Products  
Gross weight Ref. 5 Kg

### CINCON ELECTRONICS CO., LTD.

#### Headquarters:

14F, No.306, Sec.4, Hsin Yi Rd.  
Taipei, Taiwan  
Tel: 886-2-27086210  
Fax: 886-2-27029852  
E-mail: [support@cincon.com.tw](mailto:support@cincon.com.tw)  
Web Site: <http://www.cincon.com>

#### Factory:

No. 8-1, Fu Kung Rd.  
Fu Hsing Industrial Park  
Fu Hsing Hsiang,  
Chang Hua Hsien, Taiwan  
Tel: 886-4-7690261  
Fax: 886-4-7698031

#### Cincon North America:

1655 Mesa Verde Ave. Ste 180  
Ventura, CA 93003  
Tel: 805-639-3350  
Fax: 805-639-4101  
E-mail: [info@cincon.com](mailto:info@cincon.com)