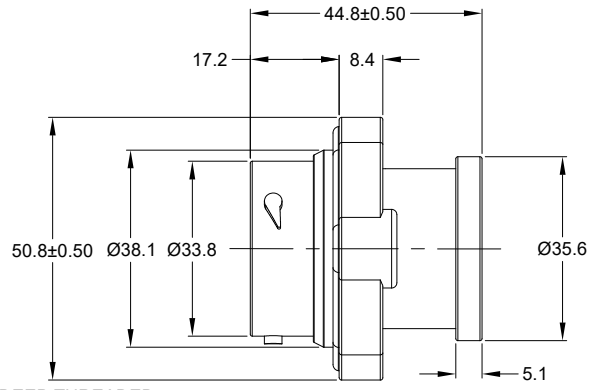
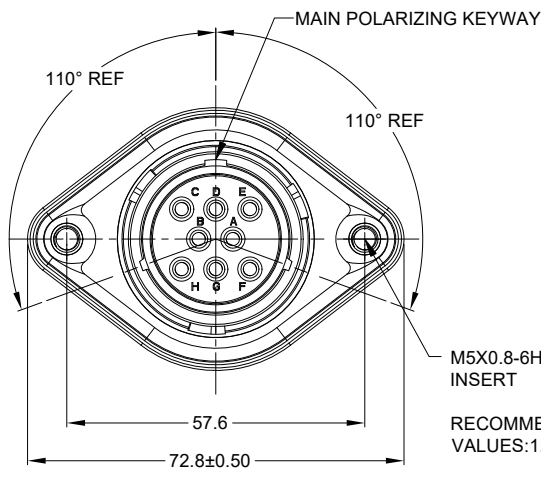
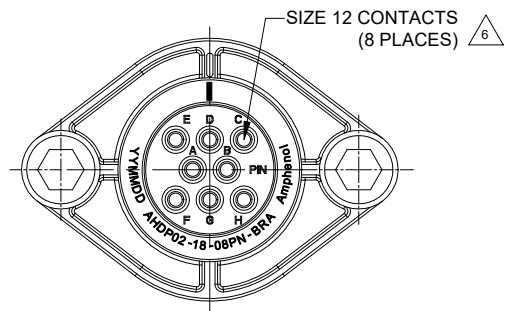


REVISIONS					
REV	ECO	DESCRIPTION	DATE	BY	APPR
A1	--	RELEASE NEW DRAWING	28MAR22	VITO	TOMMY

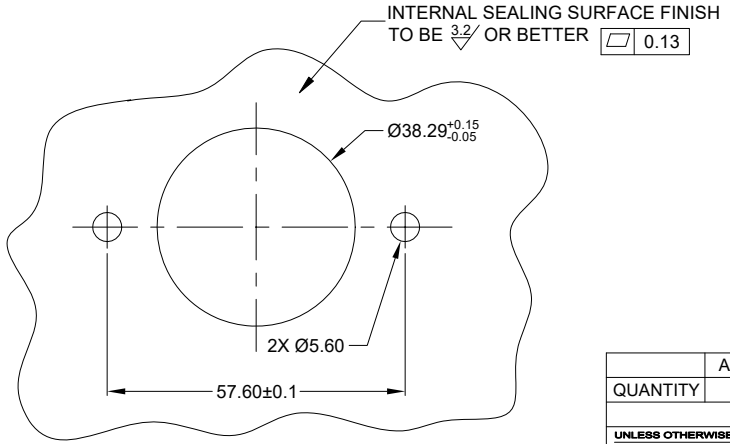


M5X0.8-6H 8mm(2X) DEEP THREADED INSERT
 RECOMMENDED TORQUE VALUES: 1.9-2.2 N.m

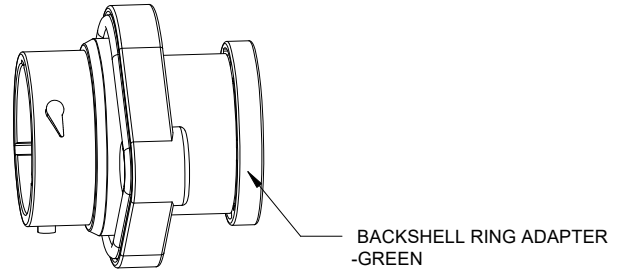


NOTES: UNLESS OTHERWISE SPECIFIED

- MATERIAL:
 HOUSING: THERMOPLASTIC; BLACK
 SEAL: SILICONE RUBBER
 THREADED INSERT: STAINLESS STEEL
- MODIFICATIONS: BACKSHELL RING ADAPTER (BRA);
 STANDARD DIA. WIRE SEAL.
 SEALED PANEL MOUNT;
- SPECIFICATIONS:
 3.1 OPERATING TEMPERATURE: -55°C TO +125°C.
 3.2 DIELECTRIC WITHSTANDING VOLTAGE: LESS THAN 2 MILLIAMPS CURRENT LEAKAGE @ 1500 VOLTS AC.
 3.3 INSULATION RESISTANCE: 1000 MEGOHM MIN @ 25°C.
 3.4 MOISTURE RESISTANCE:
 IP68(IM OF WATER FOR A PERIOD OF 24 HOURS, MATED CONDITION);
 IP69K (MATED CONDITION)
 3.5 MATING CYCLE DURABILITY: 100 CYCLES
 3.6 RoHS COMPLIANT
- MATING PART: AHDP06-18-08S* (* = SEAL TYPE)
- ALL DIMENSIONS ARE FOR REFERENCE USE ONLY.



RECOMMENDED PANEL MOUNTING HOLE
 RECOMMENDED PANEL THICKNESS: 1.6 TO 4.7MM



6 CONTACT SIZE AND WIRE RANGE:

CONTACT SIZE	MIN. INSUL O.D.	MAX. INSUL O.D.	TYPICAL WIRE RANGE	CURRENT RATING
12	3.43 mm (.135 in)	4.32 mm (.170 in)	10-14 AWG (8.0-2.0mm ²)	25 AMPS

QUANTITY	AHDP02-18-08PN-BRA	DESCRIPTION	ITEM
	PART NUMBER		

SIGNATURES			DATE
DRAWN:	VITOLI		28MAR22
CHECKED:	SULLENZHANG		28MAR22
ENGINEER:			
APPROVAL:	TOMMY XIE		30MAR22

MATERIALS LIST			
<p>UNLESS OTHERWISE SPECIFIED</p> <p>1) All dimensions are in metric (mm). 2) Tolerances are as follows: 1 PL DEC ±0.30 Fractions ±1/64 2 PL DEC ±0.15 Angles ±1° 3 PL DEC ±0.08</p> <p>3) Note reference = </p>			
MATERIAL SPECIFICATIONS:		CUSTOMER:	
WEIGHT: 52.6g			
PROCESS SPECIFICATIONS:		THIS DRAWING IS SUPPLIED FOR INFORMATION ONLY. DESIGN FEATURES, SPECIFICATIONS AND PERFORMANCE DATA SHOWN HEREON ARE THE PROPERTY OF THE AMPHENOL CORPORATION. NO RIGHTS OF REPRODUCTION ARE IMPLIED. ALL DIMENSIONS ARE SUBJECT TO NORMAL MANUFACTURING VARIATIONS.	
NEXT ASSY:		SCALE: NONE	

Amphenol	
Sine Systems - www.amphenol-sine.com 44724 Morley Drive Clinton Township, MI 48036	
8 POS, RECEPTACLE, PIN, PANELMATE AHDP SIZE 18, NORMAL SEAL, BRA	
SIZE	REVISION
B C-	A1
DWG NO: AHDP02-18-08PN-BRA	SHEET 1 OF 1

TITLE: 8 POS, RECEPTACLE, PIN, PANELMATE AHDP SIZE 18, NORMAL SEAL, BRA
 DWG NO: AHDP02-18-08PN-BRA
 REV: A1
 SH: 1
 OF: 1