



LAYOUT SHOWN AS EXAMPLE

Keying Shown as example

**CHARACTERISTICS**

- Standard : Based on MIL-DTL-38999 Series III
- Shell Material : Stainless Steel
- Shell Plating : Passivated
- Insulator : Thermoplastic
- Contacts : Copper Alloy
- Seals & Grommet : Silicon Elastomer
- Contact Plating : Gold over copper Alloy 0.8µm minimum
- Durability : 500 Mating cycles
- Delivered with Souriau contacts and Accessories
- Temperature Range : -65°C to +200°C
- Salt Spray : 500 hours

Connector dimension	
Dim	Nominal
A	49.2±0.3
B	33.32+0.1/-0.15
R	32.5Max
S	46±0.4
W	3+0.9/-0.1
VV THREAD	M28x1-6g

SOURIAU shall not be liable for any non-conformity or damage due to a use of the Products which does not comply with the Specifications issued by either of the Parties or by a third party (professional recommendation, technical notice.)

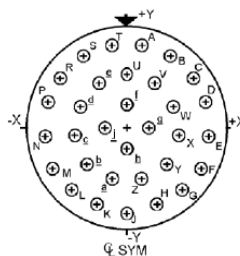
Country	Jurisdiction & Control List
FR	Not Listed

**PN: 8D719K32PD**

A	30-09-2016	First Release	
ISS	DATE	Latest modification - by	MOD N°
Designed By:		Date:	<b>CUSTOMER DRAWING</b>
<b>TITLE</b>	<b>Stainless Steel Receptacle 8D series</b>		
SCALE		General linear Tolerances: ±--	NPRDS / PROJECT <b>859</b>
NA	<b>SOURIAU</b> <a href="http://WWW.SOURIAU.COM">WWW.SOURIAU.COM</a>		This document is the property of SOURIAU it must not be reproduced or communicated without permission
FORMAT	<b>A3</b>		<b>SOURIAU DRG N° 8D719K32PD-C</b> SHEET 1/2

BASIC SERIES:	8D	7	-	19	K	32	P	D	ORIENTATION : D
SHELL TYPE :	Jam nut Receptacle								CONTACT TYPE : PIN(500 Matings)
CONTACT TYPE :	Standard Crimp Contact								CONTACT LAYOUT : 19-32
SHELL SIZE :	19								
PLATING :	K = Passivated								

Contact Layout

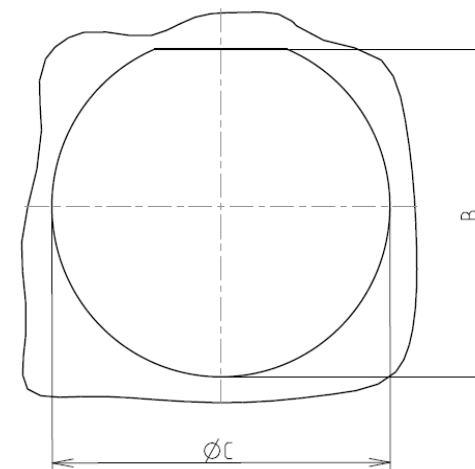


Contacts (insert arrangement 19-32)					
Contact position ID	Contact location		Contact position ID	Contact location	
	X-axis (mm)	Y-axis (mm)		X-axis (mm)	Y-axis (mm)
A	+066 (1.68)	+353 (8.97)	T	-.066 (1.68)	+353 (8.97)
B	+189 (4.80)	+305 (7.75)	U	+000 (0.00)	+230 (5.84)
C	+286 (7.26)	+217 (5.51)	V	+124 (3.15)	+193 (4.90)
D	+345 (8.76)	+098 (2.49)	W	+209 (5.31)	+092 (2.41)
E	+357 (9.07)	-033 (0.84)	X	+228 (5.79)	-033 (0.84)
F	+321 (8.15)	-160 (4.06)	Y	+174 (4.42)	-151 (3.84)
G	+242 (6.15)	-265 (6.73)	Z	+065 (1.65)	-221 (5.61)
H	+130 (3.30)	-335 (8.51)	a	-.065 (1.65)	-221 (5.61)
J	-000 (0.00)	-359 (9.12)	b	-174 (4.42)	-151 (3.84)
K	-130 (3.30)	-335 (8.51)	c	-228 (5.79)	-033 (0.84)
L	-242 (6.15)	-265 (6.73)	d	-209 (5.31)	+092 (2.41)
M	-321 (8.15)	-160 (4.06)	e	-124 (3.15)	+193 (4.90)
N	-357 (9.07)	-033 (0.84)	f	+000 (0.00)	+096 (2.44)
P	-345 (8.76)	+098 (2.49)	g	+096 (2.44)	+000 (0.00)
R	-286 (7.26)	+217 (5.51)	h	+000 (0.00)	-.096 (2.44)
S	-189 (4.80)	+305 (7.75)	j	-.096 (2.44)	+000 (0.00)

Shell size	Arrangement no.	Number of contacts	Size contacts	Service rating	Contact location	Supersedes
19	-32	32	20	I	All	MS20054-32

Panel cutout

JAM NUT RECEPTACLE (TYPE 7)



Dim	Nominal
B	33.91+0/-0.25
ØC	35.18+0.25/-0

SOURIAU shall not be liable for any non-conformity or damage due to a use of the Products which does not comply with the Specifications issued by either of the Parties or by a third party (professional recommendation, technical notice.)

Country	Jurisdiction & Control List
FR	Not Listed

PN: 8D719K32PD

A	30-09-2016	First Release	
ISS	DATE	Latest modification - by	MOD N°
Designed By:		Date:	CUSTOMER DRAWING
TITLE		Stainless Steel Receptacle 8D series	
SCALE		General linear Tolerances:	NPRDS / PROJECT
NA		±--	859
SOURIAU		WWW.SOURIAU.COM	
		This document is the property of SOURIAU it must not be reproduced or communicated without permission	
FORMAT	SOURIAU DRG N°		SHEET
A3	8D719K32PD-C		2/2