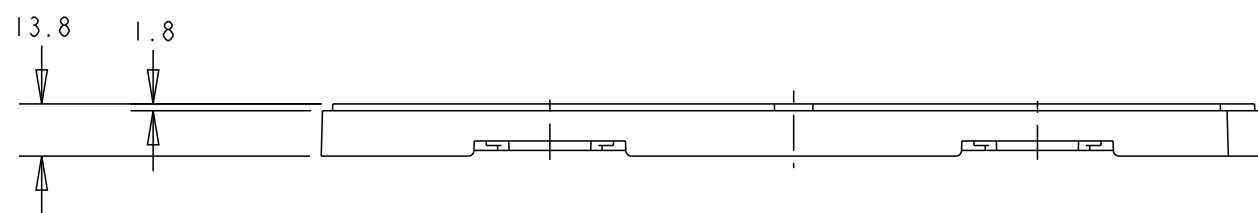
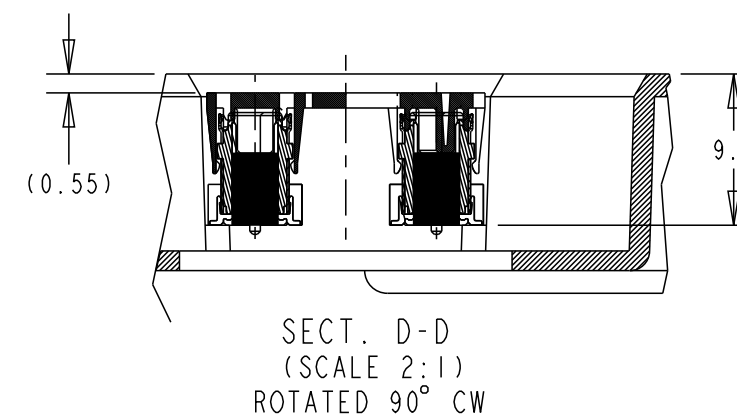
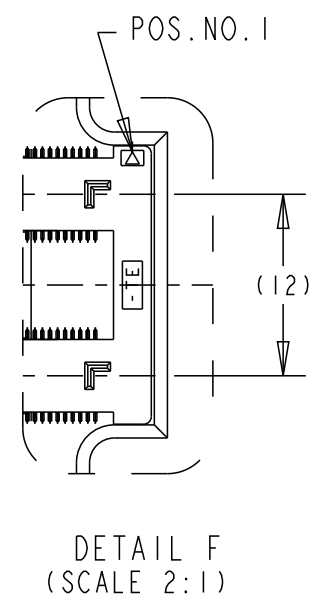
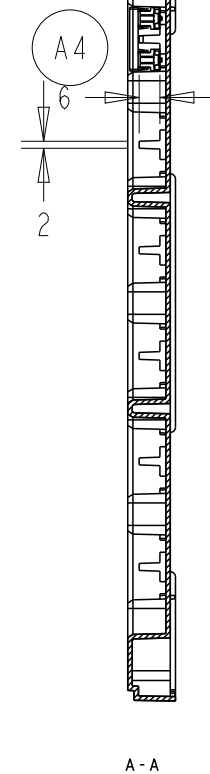
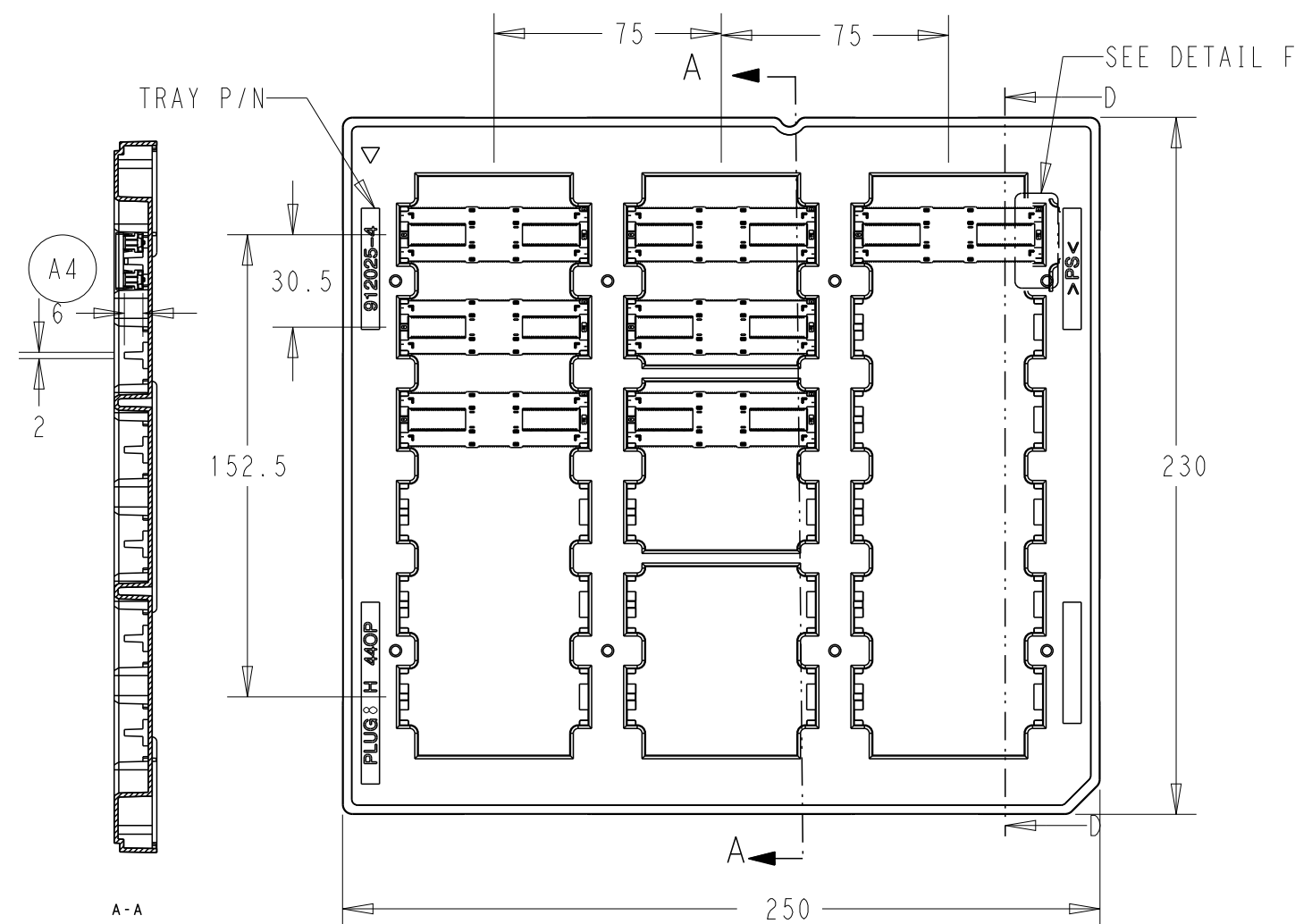


P	LTR	DESCRIPTION	DATE	DWN	APVD
A2		REVISE AS PER ECN-21-104567	25MAY2021	A.L	H.L
A3		REVISE AS PER PCN-22-135638	24AUG2021	M.C	H.L
A4		PER PCN-22-157376	14NOV2022	M.C	H.L
B1		ADD NEW PN	31JAN2023	M.C	H.L

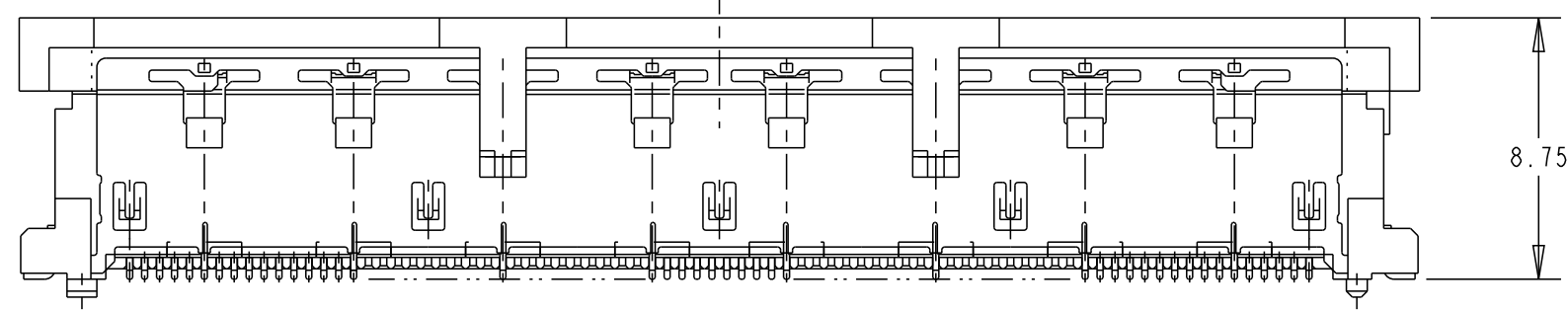
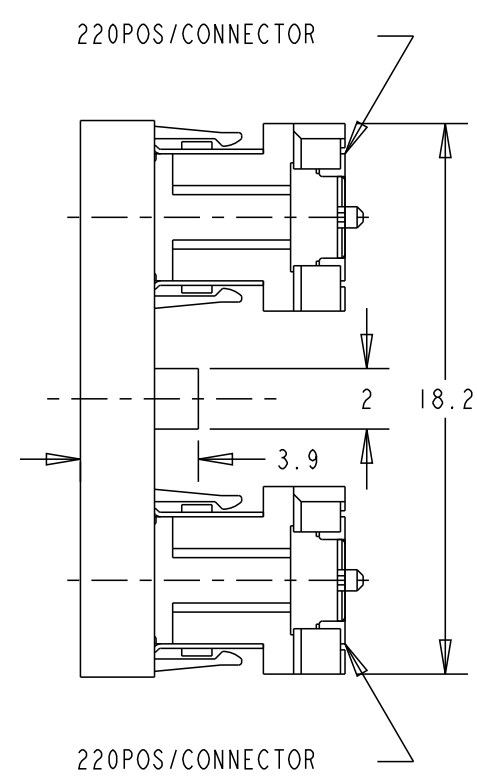
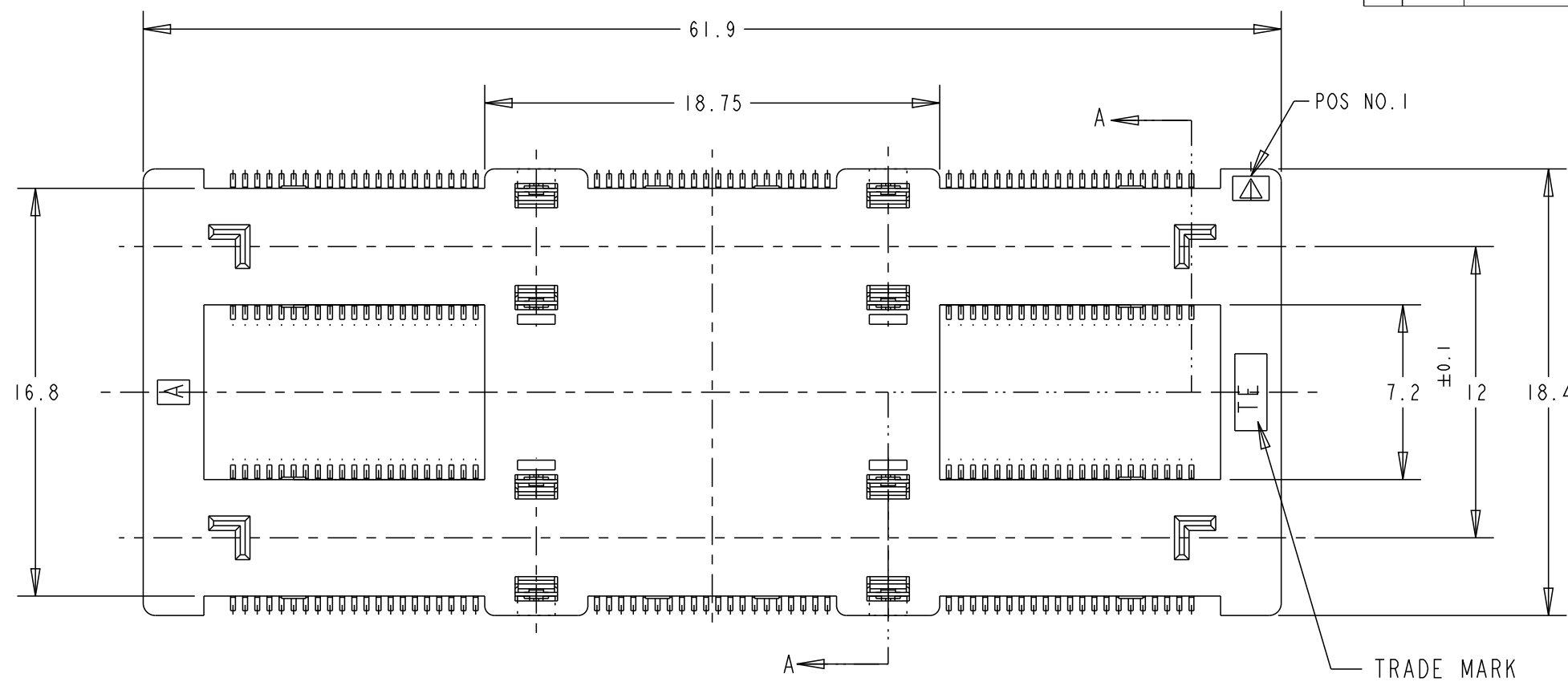



30u"	2369317-2
8u"	2369317-1
MATING ZONE PRECIOUS PLATING THICKNESS	P/N

THIS DRAWING IS A CONTROLLED DOCUMENT.		DWN Art Lin 24FEB2020	TE Connectivity	
DIMENSIONS: mm		CHK Hope Lu 25FEB2020		
TOLERANCES UNLESS OTHERWISE SPECIFIED:		APVD Hope Lu 25FEB2020	NAME 8H PLUG ASSY 440POS	
0 PLC ±0.5		PRODUCT SPEC 108-32658	FH 0.5 BTB 16Gbps	
1 PLC ±0.3		APPLICATION SPEC 114-115003	SIZE A3	CAGE CODE 00779
2 PLC ±0.15		WEIGHT -	DRAWING NO C-2369317	RESTRICTED TO -
3 PLC ±0.050			SCALE 1:1	SHEET 1 OF 4
4 PLC ±0.0250				REV B1
ANGLES ±3				
MATERIAL SEE NOTE 1	FINISH SEE NOTE 2	CUSTOMER DRAWING		

REVISIONS

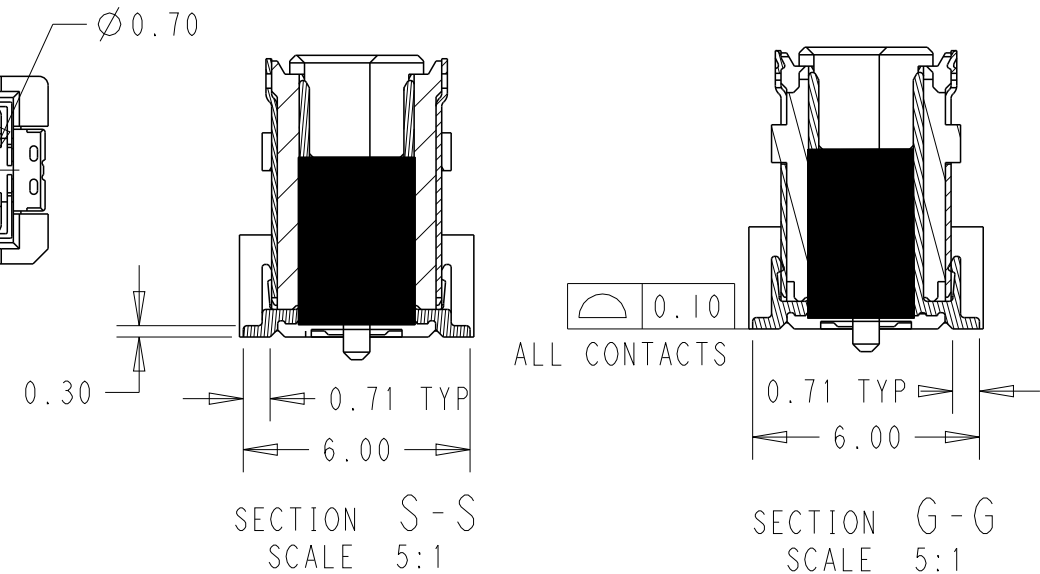
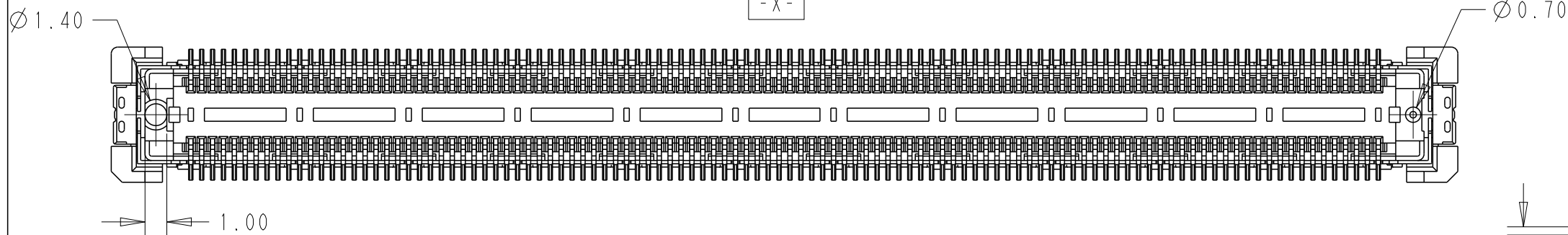
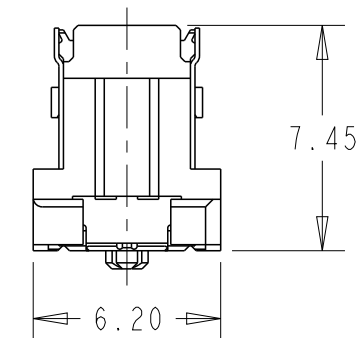
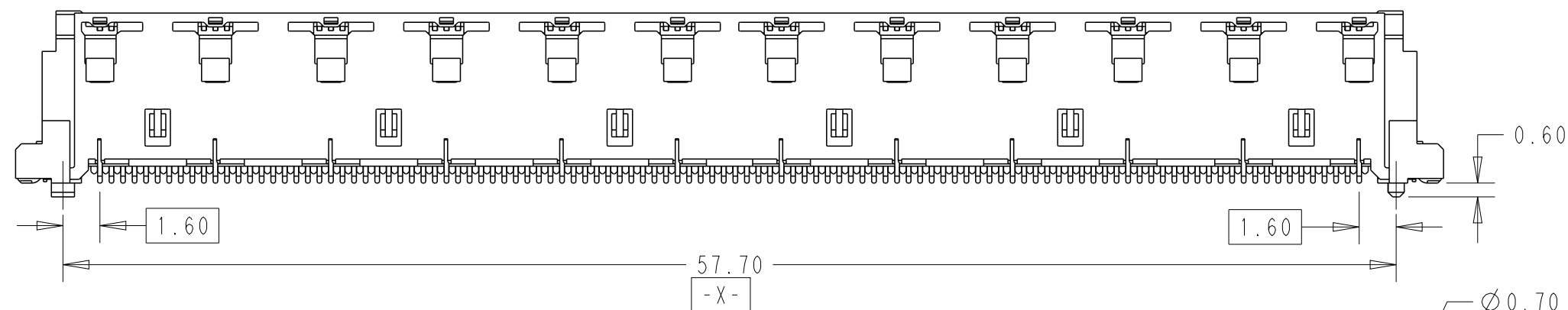
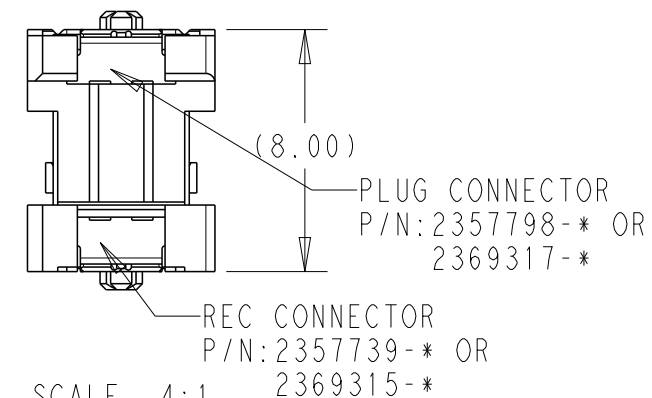
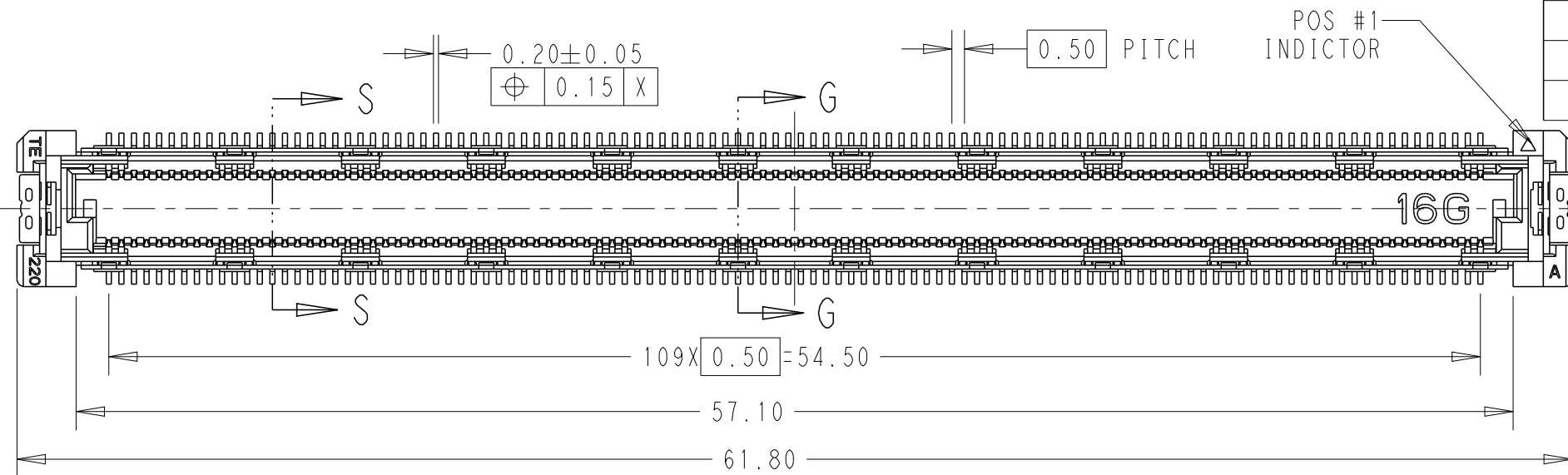
P	LTR	DESCRIPTION	DATE	DWN	APVD
-	-	SEE SHEET 1	-	-	-



THIS DRAWING IS A CONTROLLED DOCUMENT.		DWN Art Lin	24FEB2020	 <b>TE Connectivity</b>	
DIMENSIONS: mm		CHK Hope Lu	25FEB2020		
TOLERANCES UNLESS OTHERWISE SPECIFIED:		APVD Hope Lu	25FEB2020	NAME 8H PLUG ASSY 440POS	
0 PLC ±0.5		PRODUCT SPEC	108-32658	FH 0.5 BTB 16Gbps	
1 PLC ±0.3		APPLICATION SPEC	114-115003	SIZE	A3
2 PLC ±0.15		WEIGHT	-	CAGE CODE	00779
3 PLC ±0.050		CUSTOMER DRAWING	CUSTOMER DRAWING	DRAWING NO	C-2369317
4 PLC ±0.0250		SCALE	1:1	SHEET	2 OF 4
ANGLES ±3		RESTRICTED TO	-	REV	B1
MATERIAL SEE NOTE 1		FINISH SEE NOTE 2	SCALE	1:1	SHEET
FINISH SEE NOTE 2		SCALE	1:1	SHEET	2 OF 4

REVISIONS

P	LTR	DESCRIPTION	DATE	DWN	APVD
-	-	SEE SHEET 1	-	-	-



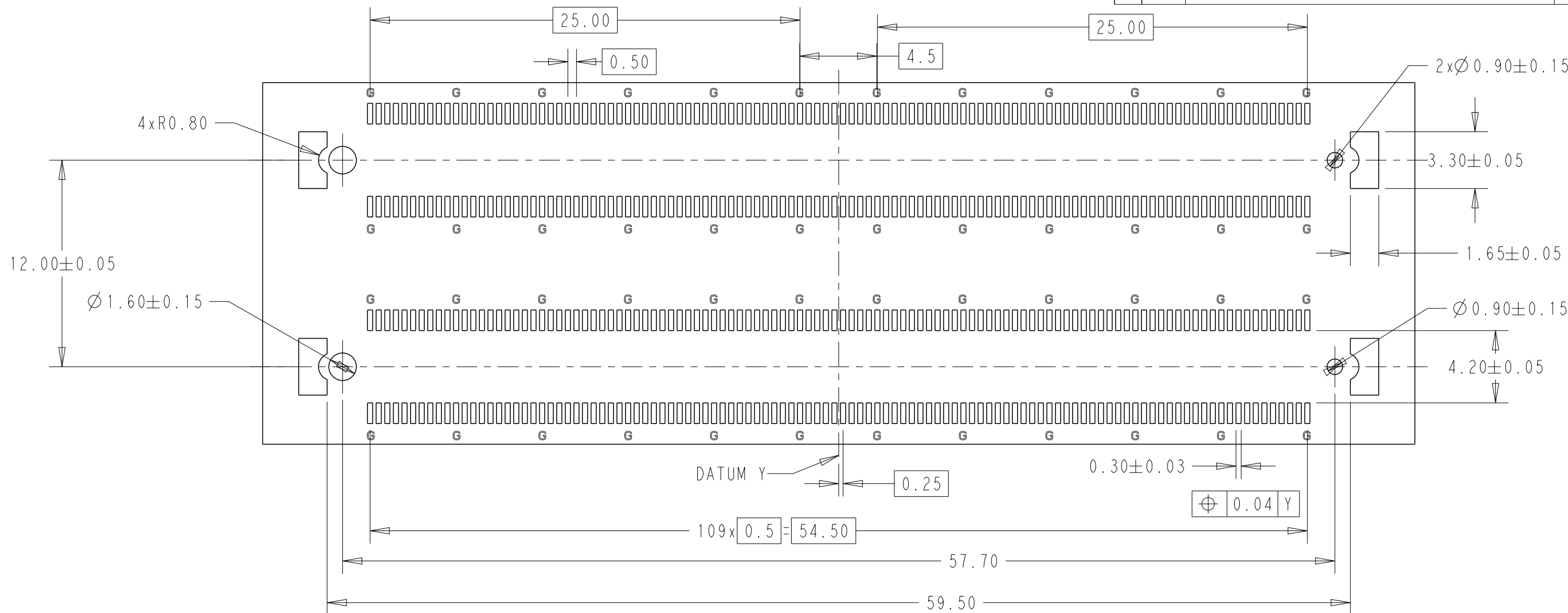
NOTES:

- MATERIAL  
HOUSING : HIGH TEMP THERMO PLASTIC UL94V-0  
CONTACT : COPPER ALLOY  
SOLDER PEG : COPPER ALLOY  
GROUND PLATE : COPPER ALLOY
- FINISH  
UNDERPLATED : 1.27µm MIN. NICKEL ALL OVER  
CONTACT MATING AREA : MEETS THE PERFORMANCE REQUIREMENTS OF TE CONNECTIVITY PRODUCT SPECIFICATION 108-32658.  
SOLDER AREA : GOLD FLASH
- CAP COLOR IS BLACK.


THIS DRAWING IS A CONTROLLED DOCUMENT.		DWN	24FEB2020	 TE Connectivity	NAME 8H PLUG ASSY 440POS - FH 0.5 BTB 16Gbps
DIMENSIONS: mm		Art Lin	24FEB2020		
TOLERANCES UNLESS OTHERWISE SPECIFIED:		CHK	25FEB2020		
0 PLC ±0.5 1 PLC ±0.3 2 PLC ±0.15 3 PLC ±0.050 4 PLC ±0.0250 ANGLES ±3		APVD	25FEB2020		
MATERIAL		PRODUCT SPEC	108-32658	SIZE	A3
SEE NOTE 1		FINISH	-	CAGE CODE	00779
SEE NOTE 2		APPLICATION SPEC	114-115003	DRAWING NO	C-2369317
CUSTOMER DRAWING		WEIGHT	-	RESTRICTED TO	-
		SCALE	1:1	SHEET	3 OF 4
		REV	B1		

REVISIONS

P	LTR	DESCRIPTION	DATE	DWN	APVD
	-	SEE SHEET 1	-	-	-



SCALE 4:1  
 REFERENCE P.C. BOARD LAYOUT  
 G:Ground

THIS DRAWING IS A CONTROLLED DOCUMENT.		DWN Art Lin	24FEB2020	 TE Connectivity	
DIMENSIONS: mm		CHK Hope Lu	25FEB2020		
TOLERANCES UNLESS OTHERWISE SPECIFIED:		APVD Hope Lu	25FEB2020	NAME 8H PLUG ASSY 440POS	
0 PLC ±0.5 1 PLC ±0.3 2 PLC ±0.15 3 PLC ±0.050 4 PLC ±0.0250 ANGLES ±3		PRODUCT SPEC 108-32658		FH 0.5 BTB 16Gbps	
MATERIAL SEE NOTE 1		APPLICATION SPEC 114-115003		SIZE A3	RESTRICTED TO -
FINISH SEE NOTE 2		WEIGHT -		CAGE CODE 00779	DRAWING NO C-2369317
		CUSTOMER DRAWING		SCALE 1:1	SHEET 4 OF 4
				REV B1	