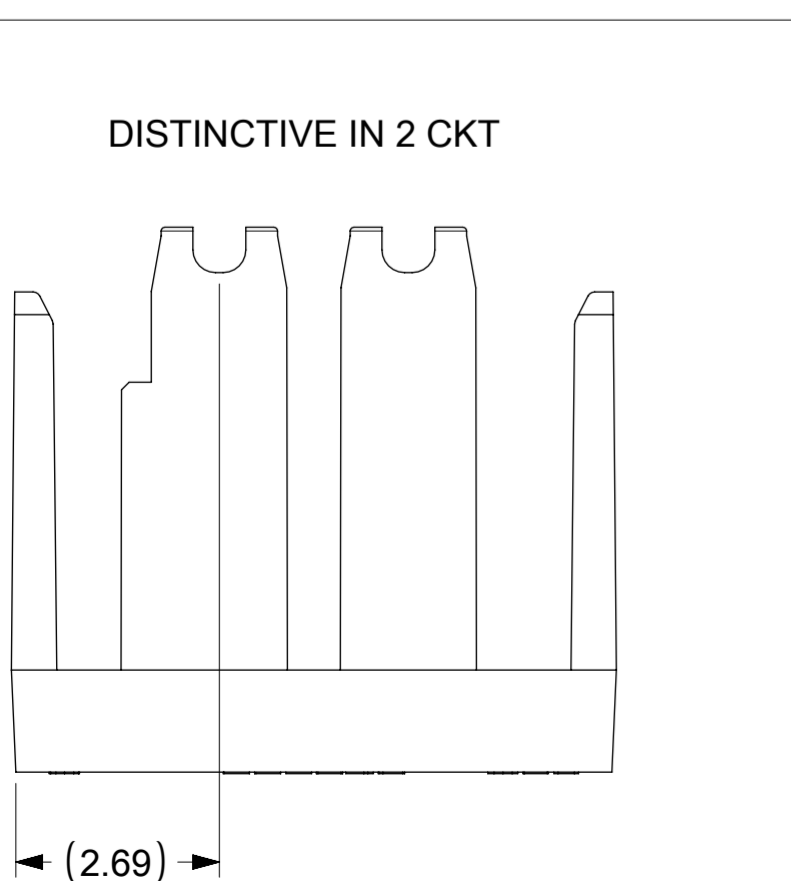
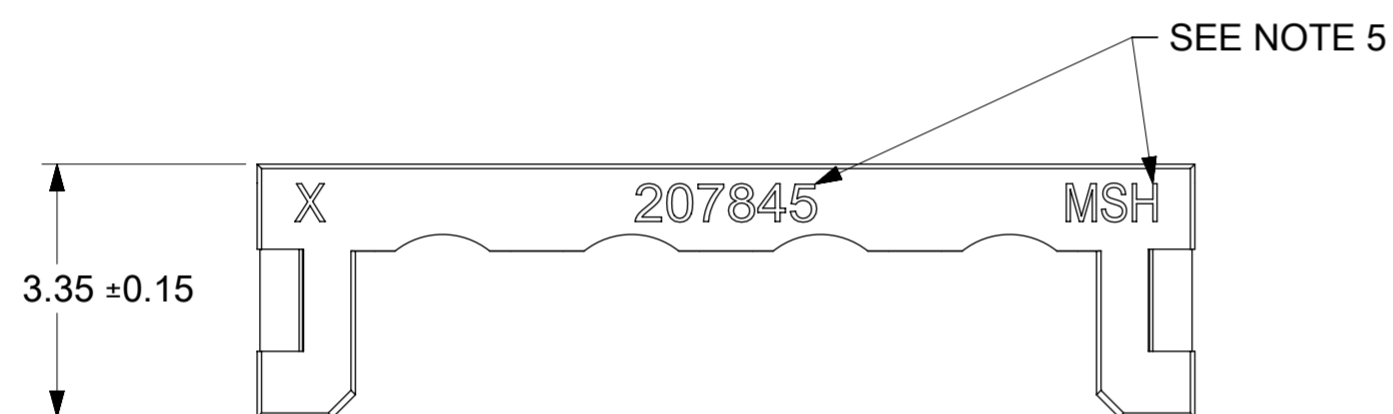


ISOMETRIC VIEW FOR 4 CKT



- NOTES:
 1. MATERIAL: PA66, RATED UL 94V-0, COLOR-NATURAL WHITE
 2. PRODUCT SPECIFICATION: 2079020001-PS
 3. PACKAGING SPECIFICATION: 2078450000-PK
 4. COSMETIC SPECIFICATION: PS-45499-002 CLASS B
 5. MOLEX LOGO AND SERIES ID

PART NO.	CKT	DIM. C
2078450002	2	7.99
2078450003	3	9.89
2078450004	4	12.39
2078450005	5	14.89
2078450006	6	17.39
2078450007	7	19.89
2078450008	8	22.39

THIS DRAWING CONTAINS INFORMATION THAT IS PROPRIETARY TO MOLEX ELECTRONIC TECHNOLOGIES, LLC AND SHOULD NOT BE USED WITHOUT WRITTEN PERMISSION											
SYMBOLS		DIMENSION UNITS		SCALE		CURRENT REV DESC:					
▽ = 0	mm	10:1		EC NO: 706742		<p>TPA FOR KK PLUS 250</p> <p>PRODUCT CUSTOMER DRAWING</p>					
▽ = 0	GENERAL TOLERANCES (UNLESS SPECIFIED)		DRWN: SHRUTJ 2022/04/20								
▽ = 0	ANGULAR TOL ± 0.5°		CHK'D: SHRUTJ 2022/05/13								
▽ = 0	4 PLACES ±		APPR: ISHWARG 2022/05/13								
▽ = 0	2 PLACES ± 0.25		INITIAL REVISION:		DRWN: SUDAYGUNAGI 2018/06/19		DOCUMENT NUMBER		DOC TYPE DOC PART REVISION		
▽ = 0	1 PLACE ± 0.3		APPR: ISHWARG 2019/04/26		2078450004-SD		PSD		000 A1		
▽ = 0	0 PLACES ±		DRAFT WHERE APPLICABLE MUST REMAIN WITHIN DIMENSIONS		THIRD ANGLE PROJECTION		DRAWING		SERIES		
▽ = 0					A2-SIZE		207845		MATERIAL NUMBER CUSTOMER SHEET NUMBER		
										1 OF 1	