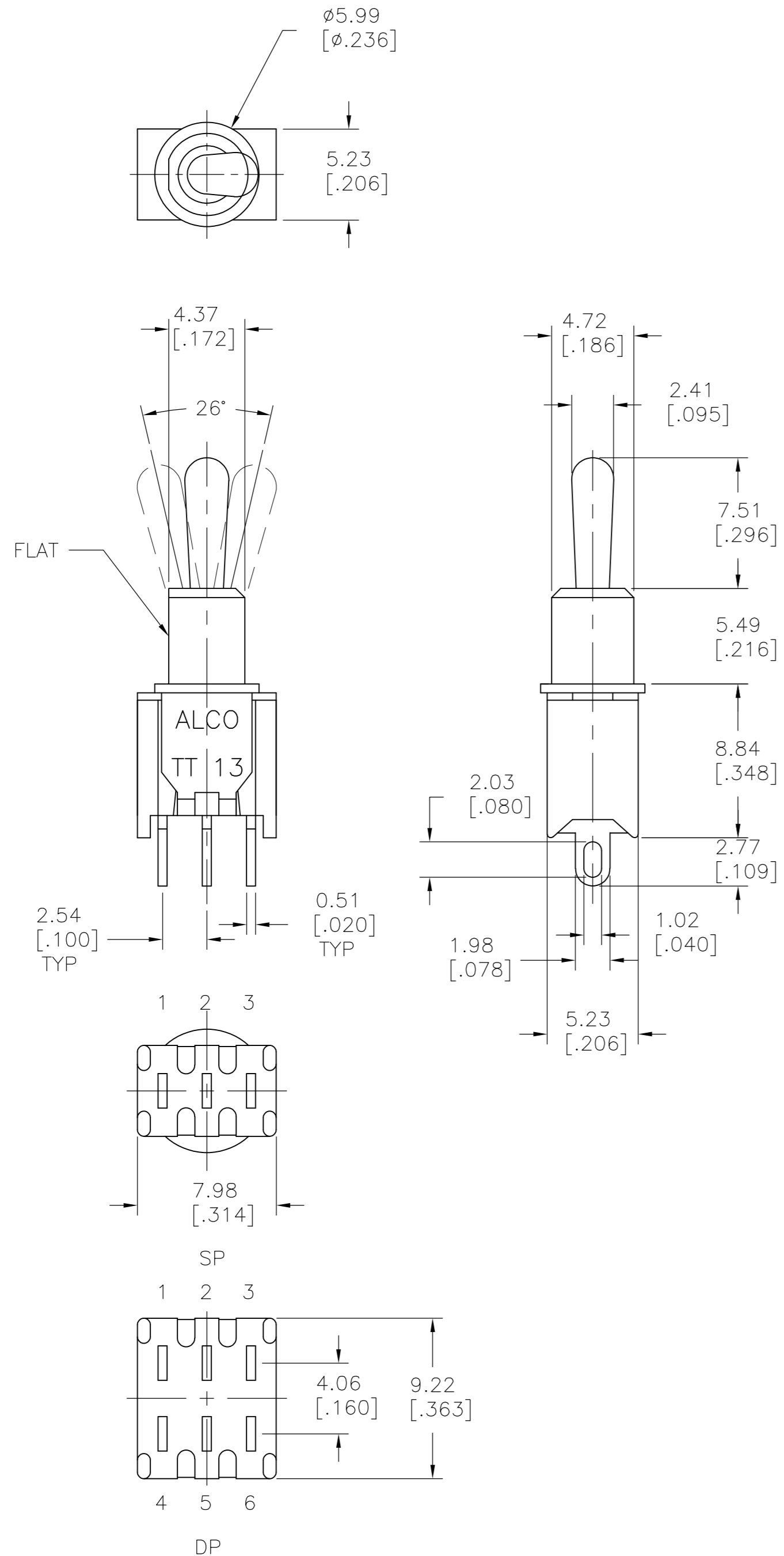


THIS DRAWING IS UNPUBLISHED. RELEASED FOR PUBLICATION
 © COPYRIGHT - By - ALL RIGHTS RESERVED.

LOC		DIST		REVISIONS			
P	LTR	DESCRIPTION		DATE	DWN	APVD	
	B	REVISED PER ECO-15-004048		17MAR2015	NK	RH	



TERMINALS CONNECTED WHEN TOGGLE IN POSITIONS SHOWN.

PART NO	SWITCH ACTION CODE (*)	FLAT	FLAT	FLAT
1825222-2	TT13A2T04	3 TO 1	NONE	OFF
1825222-3	TT13D2T04	2 TO 1	NONE	2 TO 3
1825222-4	TT13E2T04	2 TO 1	OFF	2 TO 3
⁵ 1825222-6	TT23K2T04	3 TO 1 6 TO 4	NONE	OFF
1825222-7	TT23N2T04	2 TO 1 5 TO 4	NONE	2 TO 3 5 TO 6

TERMINAL DESIGNATION NUMBERS ARE FOR REFERENCE ONLY, AND DO NOT APPEAR ON SWITCHES.

SPECIFICATION:

- MATERIALS:**
 CASE AND ACTUATOR: THERMOPLASTIC, UL94-V0.
 FRAME: STEEL, TIN PLATED.
 BUSHING AND ACTUATOR LEVER: BRASS, NICKEL PLATED
 ROCKER CONTACT: SILVER/BRASS, LAMINATED.
 PLUNGER: STAINLESS STEEL, PASSIVATED
 SPRING: MUSICAL WIRE.
 TERMINALS: SILVER/BRASS, LAMINATED, SILVER PLATED.
 TERMINAL SEAL: SP EPOXY
 DP EPOXY OPTIONAL
- ELECTRICAL:**
 CURRENT RATING: 3A @ 125V AC OR 28V DC (2 POSITION)
 2A @ 125V AC (3 POSITION)
 INITIAL CONTACT RESISTANCE: 20 MLLIOHMS MAX
 INSULATION RESISTANCE: 1,000 MEGAOHMS AT 500V DC MIN
 DIELECTRIC STRENGTH: 1,000 VOLTS RMS AT SEA LEVEL
 LIFE EXPECTANCY: 80,000 CYCLES (2 POSITION)
 60,000 CYCLES (3 POSITION)
- ENVIRONMENTAL:**
 OPERATING TEMPERATURE: -22°F TO +185°F (-30°C TO +85°C)
 STORAGE TEMPERATURE: -67°F TO +185°F (-55°C TO +85°C)
- TT13A2T04 HAS TERMINALS 1, 3, 4 & 6
 HARDWARE INCLUDED: 1 HEX NUT AND 1 LOCKWASHER.

⁵ OBSOLETE.

THIS DRAWING IS A CONTROLLED DOCUMENT.		DWN RAGHAVENDRA 26AUG10		
DIMENSIONS: mm [INCHES]		CHK EPPLEY NAZ 26AUG10		
TOLERANCES UNLESS OTHERWISE SPECIFIED:		APVD EPPLEY NAZ 26AUG10	NAME	
0 PLC ± - 1 PLC ± - 2 PLC ± - 3 PLC ± - 4 PLC ± - ANGLES ± -		PRODUCT SPEC	SWITCH, TINY TOGGLE SERIES, 1 & 2 POLE	
MATERIAL		APPLICATION SPEC	SIZE A2	CAGE CODE 00779
FINISH		WEIGHT	DRAWING NO C=1825222-2	RESTRICTED TO
		CUSTOMER DRAWING	SCALE 4:1	SHEET 1 OF 1
			REV B	