

6

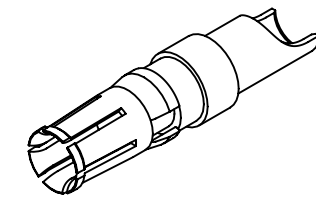
5

4

3

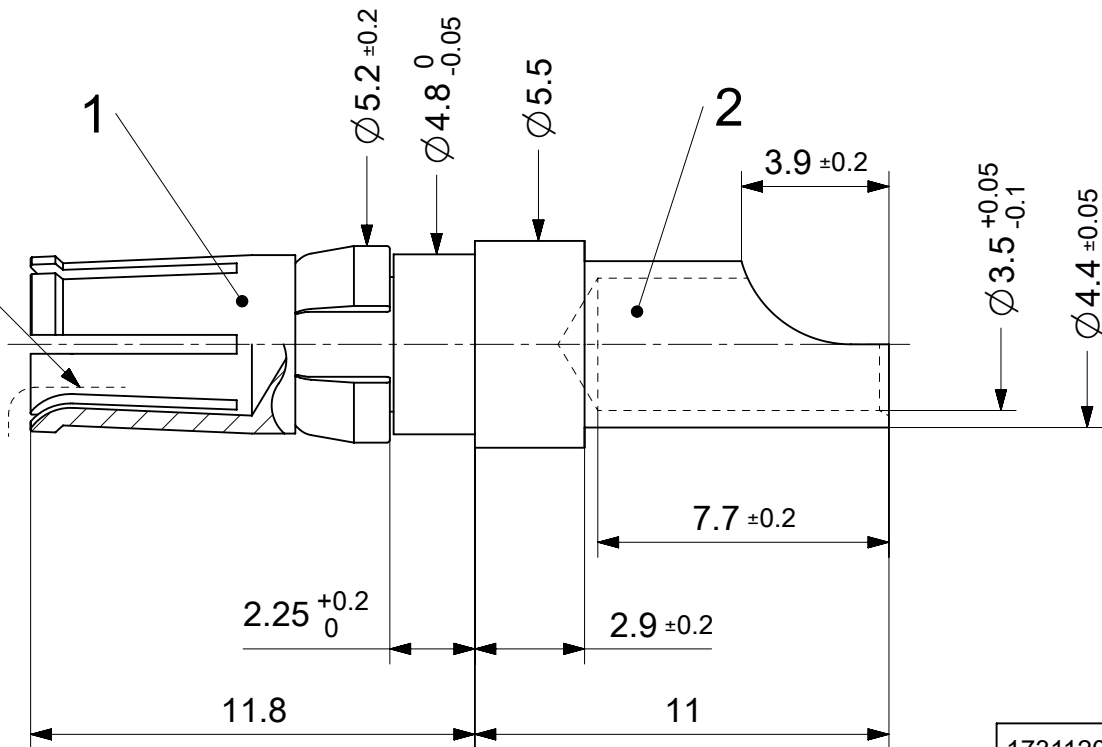
2

1



2:1

Contact area



RoHS compliant
by exemption

1731120293	FMP105S103	103
1731120914	FMP105S105	105
1731121086	FMP105S203	203
Material Number	FCT Part Number	Material + Finish See extra sheet

UNLESS OTHERWISE SPECIFIED DIMENSIONS FOR REFERENCE ONLY				REPLACEMENT FOR DOCUMENT NUMBER: FMP105S			
THIS DRAWING CONTAINS INFORMATION THAT IS PROPRIETARY TO MOLEX ELECTRONIC TECHNOLOGIES, LLC AND SHOULD NOT BE USED WITHOUT WRITTEN PERMISSION							
FUNCTIONAL SYMBOLS	DIMENSION UNITS	SCALE	CURRENT REV DESC:				
	mm	5:1					
GENERAL TOLERANCES (UNLESS SPECIFIED)	ANGULAR TOL	±					
	4 PLACES	±					
DIVISIONAL SYMBOLS	3 PLACES	±	EC NO: 686935				
	2 PLACES	±	DRWN: FVETTER 2021/11/29				
	1 PLACE	±	CHK'D: MTEUBEL 2021/11/30				
	0 PLACES	±	APPR: MTEUBEL 2021/11/30				
DRAFT WHERE APPLICABLE MUST REMAIN WITHIN DIMENSIONS			FIRST ANGLE PROJECTION	DRAWING	SERIES	MATERIAL NUMBER	CUSTOMER
				A4-SIZE	173112	SEE TABLE	GENERAL MARKET
		INITIAL REVISION:		DOCUMENT NUMBER	DOC TYPE	DOC PART	REVISION
		DRWN: VLOKESHA 2021/04/07		1731120293	PSD	000	A1
		APPR: MTEUBEL 2021/11/25					

molex

FCT 30A HIGH POWER CONTACT FOR D-SUB

PRODUCT CUSTOMER DRAWING

DOCUMENT STATUS	P1	RELEASE DATE	2021/11/30	09:45:24
-----------------	----	--------------	------------	----------

6

5

4

3

2

1

FORMAT: master-ib-proof-A4
REVISION: J
DATE: 2020/01/14