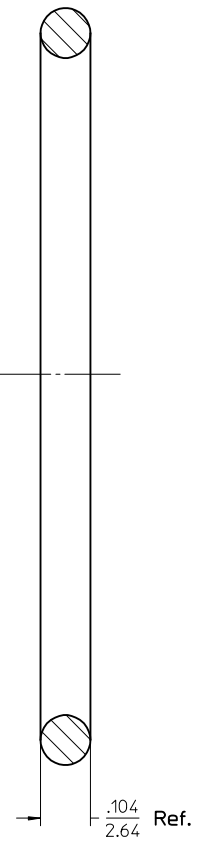
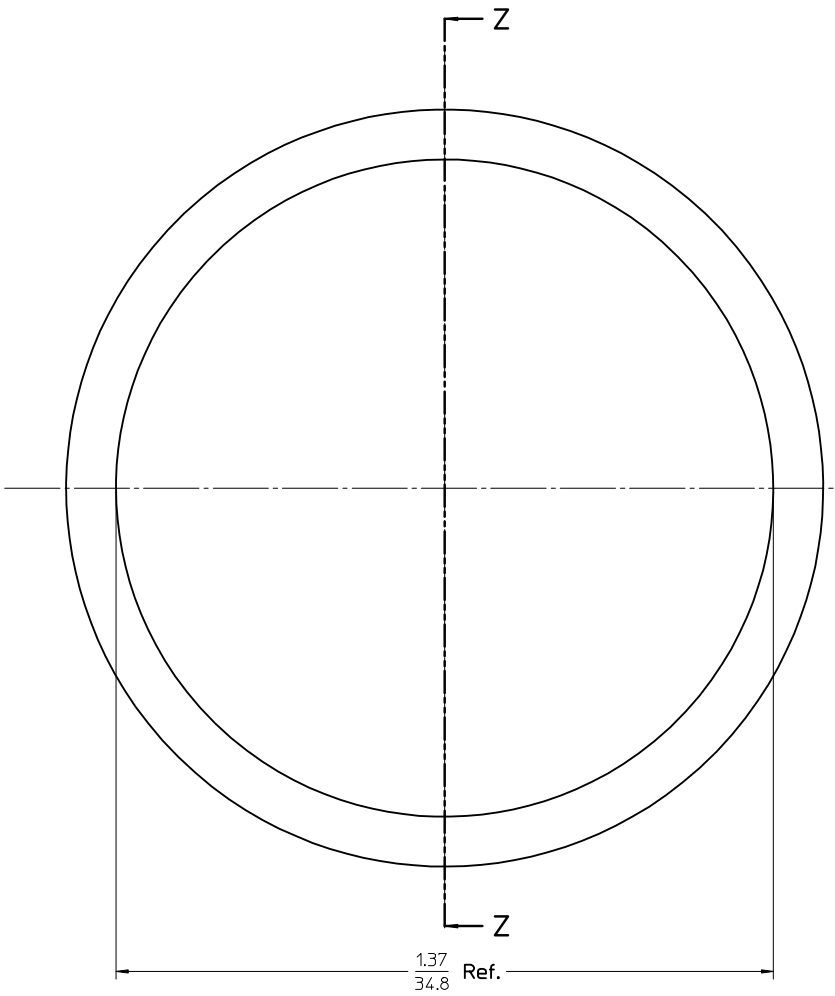
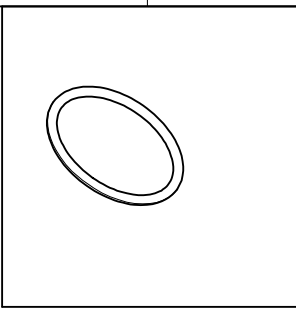


13 12 11 10 9 8 7 6 5 4 3 2 1

J  
I  
H  
G  
F  
E  
D  
C  
B  
A

J  
I  
H  
G  
F  
E  
D  
C  
B  
A



SECTION Z-Z

MATERIAL No.	OLD PART No.	MATERIAL	FINISH
1301800334	00-0824	NEOPRENE	BLACK

<b>ENTER DESCRIPTION</b> EC NO: WNA2009-0773 DRWINAKUMAR01 2009/06/03 CHKD: APPR: JFMURPHY 2009/07/08 REV: A	QUALITY SYMBOLS ▽=0 ▽=0	GENERAL TOLERANCES (UNLESS SPECIFIED) <table border="1"> <tr> <td></td> <td>mm</td> <td>INCH</td> </tr> <tr> <td>4 PLACES</td> <td>± .005</td> <td>± .0005</td> </tr> <tr> <td>3 PLACES</td> <td>± .005</td> <td>± .0005</td> </tr> <tr> <td>2 PLACES</td> <td>± .010</td> <td>± .0010</td> </tr> <tr> <td>1 PLACE</td> <td>± 0.3</td> <td>± .0100</td> </tr> </table> ANGULAR ±1/2°		mm	INCH	4 PLACES	± .005	± .0005	3 PLACES	± .005	± .0005	2 PLACES	± .010	± .0010	1 PLACE	± 0.3	± .0100	DIMENSION STYLE IN/MM DRAWN BY: NKUMAR01 DATE: 2009/06/02 CHECKED BY: BWOODMAN DATE: 2009/06/02 APPROVED BY: JFMURPHY DATE: 2009/06/02	SCALE: 5:1 DESIGN UNITS: INCH THIRD ANGLE PROJECTION
		mm	INCH																
	4 PLACES	± .005	± .0005																
	3 PLACES	± .005	± .0005																
2 PLACES	± .010	± .0010																	
1 PLACE	± 0.3	± .0100																	
DRAFT WHERE APPLICABLE MUST REMAIN WITHIN DIMENSIONS			MATERIAL NO. SEE CHART DOCUMENT NO. SD-130180-334	TITLE: O-RING 1.370 ID X .104 THK															
			SIZE: C THIS DRAWING CONTAINS INFORMATION THAT IS PROPRIETARY TO MOLEX INCORPORATED AND SHOULD NOT BE USED WITHOUT WRITTEN PERMISSION	SHEET NO. 1 OF 1															
			MOLEX INCORPORATED																

1b\_frame\_C\_P\_AM\_T Rev. E 2006/04/15 12 11 10 9 8 7 6 5 4 3 2 1