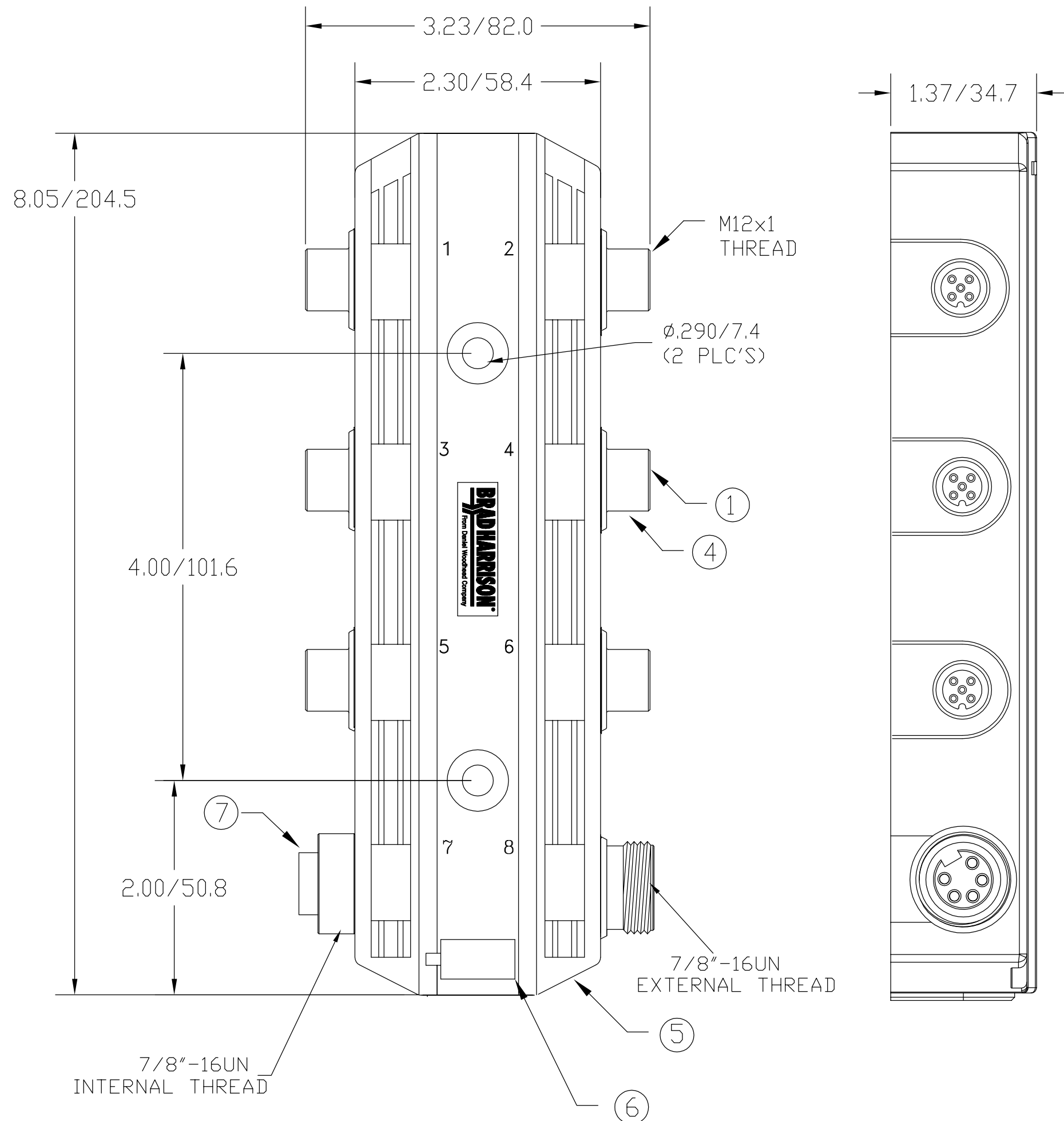
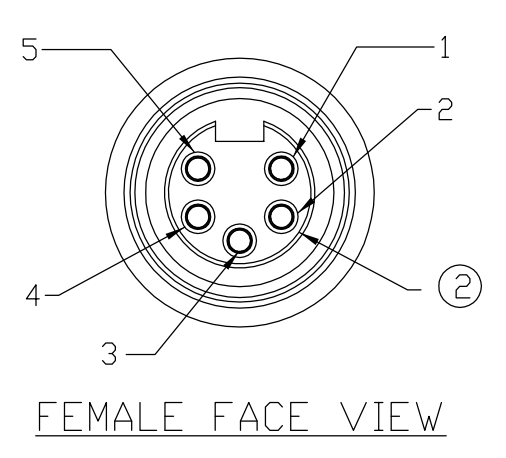
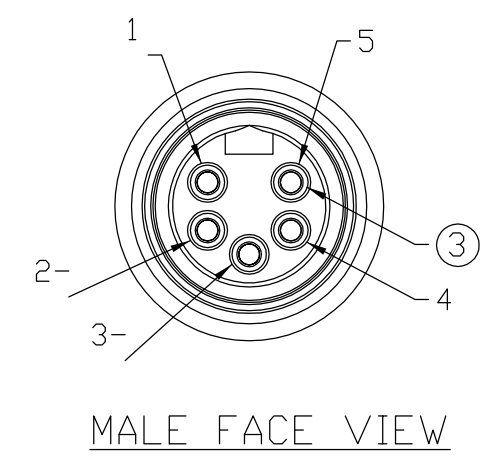
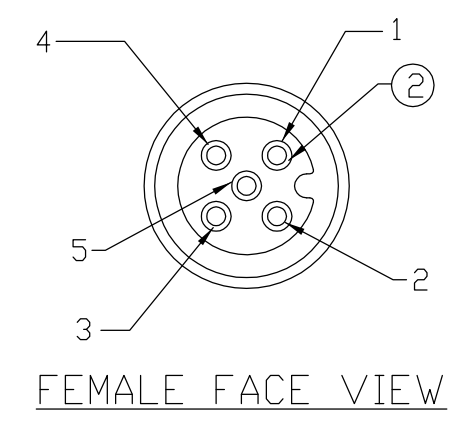
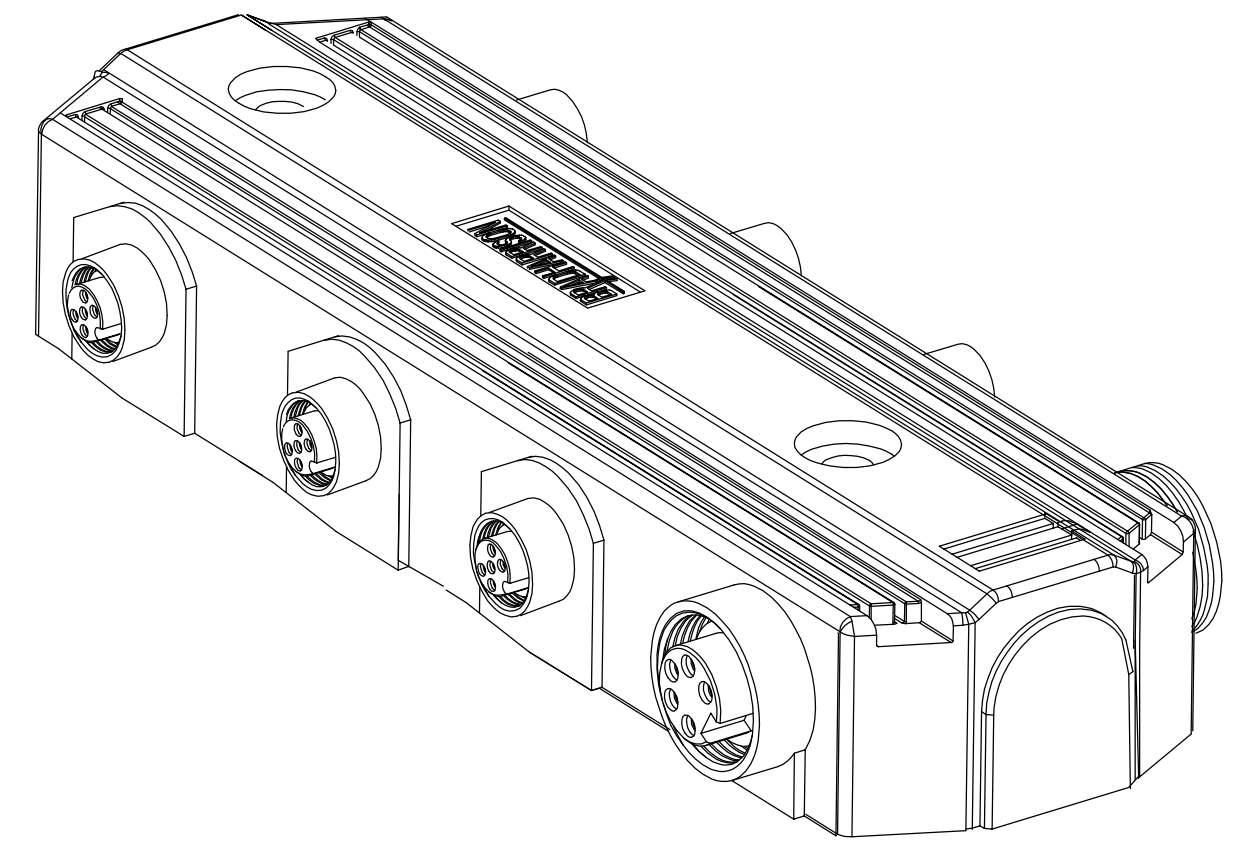
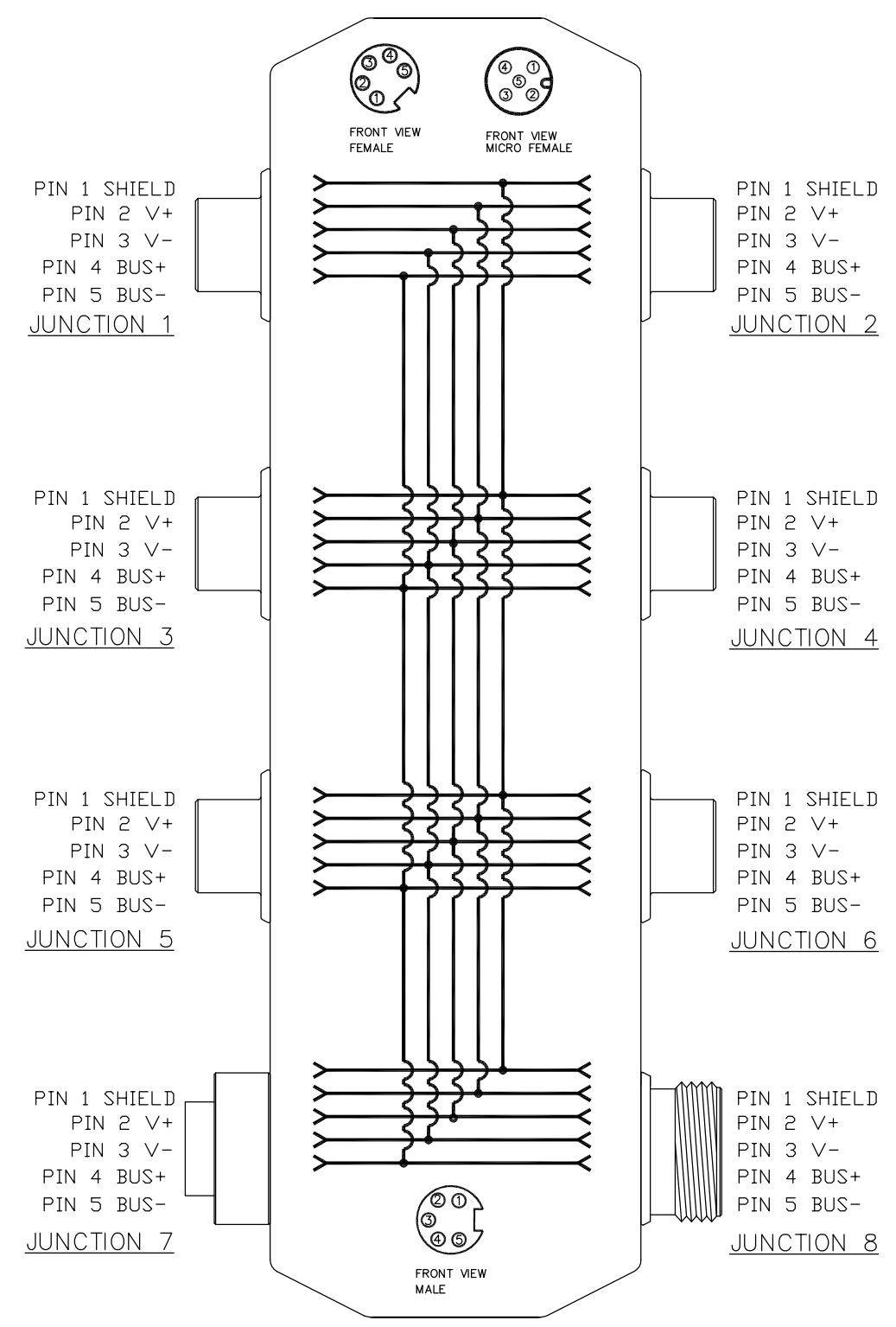


| MATERIAL NUMBER | OLD PART NUMBER |
|-----------------|-----------------|
| 130036-0015 | DND6100 |



SCHEMATIC



| | |
|-----------------------|-------------|
| VOLTAGE RATING | 120 VAC/VDC |
| AMPERAGE RATING | 7 AMPS |
| PROTECTION | IP67 |
| OPERATING TEMPERATURE | 0°C TO 60°C |

| ITEM | COMPONENT | MATERIAL | FINISH |
|------|------------------|---------------|------------------|
| 1 | INSERT | NYLON | BLACK |
| 2 | CONTACT SOCKET | COPPER ALLOY | GOLD OVER NICKEL |
| 3 | CONTACT PIN | COPPER ALLOY | GOLD OVER NICKEL |
| 4 | RECEPTACLE SHELL | ZINC DIE CAST | BLACK E-COATED |
| 5 | HOUSING | PBT | BLACK |
| 6 | LABEL | ABS | WHITE |
| 7 | INSERT | PVC | GRAY |
| | POTTING MATERIAL | EPOXY | BLACK |

RELEASED SALES DRAWING
 EC NO: WNA2010-0020
 DRWN: BWOODMAN 7/9/09
 CH'KD: JM
 APPR: JFMURPHY 2009/07/20
 A

QUALITY SYMBOL
 ▽=0
 ▽C=0
 GENERAL TOLERANCES (UNLESS SPECIFIED)
 4 PLACES ±---
 3 PLACES ±---
 2 PLACES ±--- ±.01
 1 PLACE ±0.3 ±---
 ANGULAR ±---°
 DRAFT WHERE APPLICABLE MUST REMAIN WITHIN DIMENSIONS

DIMENSION STYLE IN/MM
 DRAWN BY DATE
 BW 2009/07/08
 CHECKED BY DATE
 TW 2009/07/08
 APPROVED BY DATE

 MATERIAL NO. SEE CHART
 SIZE C

SCALE ---
 DESIGN UNITS ---
 THIRD ANGLE PROJECTION
 TITLE
MICRO 6 PORT PASS-THRU DEVICENET MPIS
 MOLEX INCORPORATED
 DOCUMENT NO. SD-130036-010
 SHEET NO. 1 OF 1
 THIS DRAWING CONTAINS INFORMATION THAT IS PROPRIETARY TO MOLEX INCORPORATED AND SHOULD NOT BE USED WITHOUT WRITTEN PERMISSION