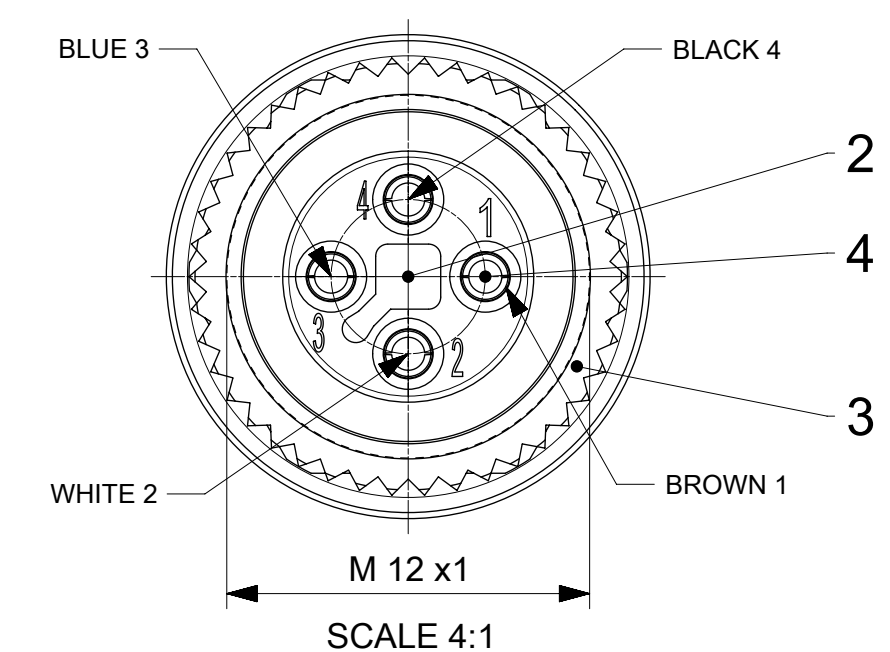
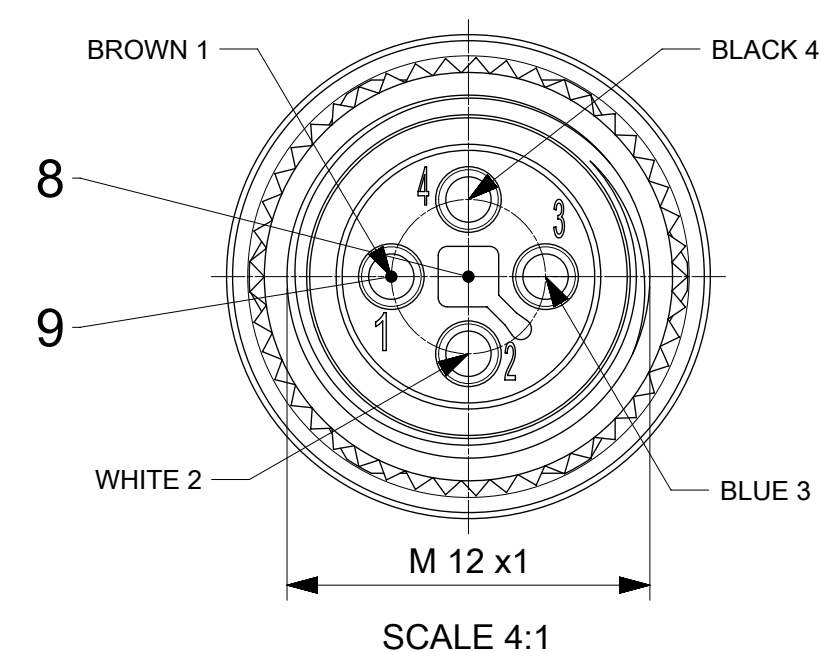


VIEW X
CONNECTOR PIN ASSIGNMENT
MATING SIDE
MALE CABLE CONNECTOR

VIEW Y
CONNECTOR PIN ASSIGNMENT
MATING SIDE
FEMALE CABLE CONNECTOR

POS	DESCRIPTION	MATERIAL	FINISH
1	NUT M12 FE	BRASS	Ni
2	INSERT M12 FE	PA	BLACK
3	GASKET	FPM	-
4	CONTACT 15 FE	BRASS	Au
5	OVERMOLD	TPE	BLACK
6	CABLE 4x1.5 D7.8	TPU	BLACK
7	NUT M12 MA	BRASS	Ni
8	INSERT M12 MA	PA	BLACK
9	CONTACT 15 MA	BRASS	Au
10	I/D CARRIER	-	-



TECHNICAL DATA:

CONTACT Ø: 1.5mm
 RATED VOLTAGE: 63V DC
 RATED CURRENT: 12A (40°)
 OVERVOLTAGE CATEGORIE: 3
 POLLUTION DEGREE: 3
 DIELECTRIC STRENGTH: 1500V
 CONTACT RESITANCE: ≤ 5mΩ
 INSULATION RESISTANCE: MIN:10⁸Ω

IP RATING: IP67 (connected condition)
 TEMPERATURE RANGE FIXED: -40°C TO +90°C

PACKAGING:
 THE CORDSETS ARE PACKED IN PLASTIC BAGS
 AND DELIVERED IN CARTON BOXES

TABLE 1: Cable Length

MATERIAL NO.	ENGINEERING NO.	L [mm]	TOLERANCE [mm]
1205010009	TTP4030B43M010	1000	±25
1205010010	TTP4030B43M020	2000	±25
1205010011	TTP4030B43M050	5000	±25
1205010012	TTP4030B43M100	10000	±30

SYMBOLS DIMENSION UNITS: mm SCALE: (blank) GENERAL TOLERANCES (UNLESS SPECIFIED): ANGULAR TOL ± 1.0° 4 PLACES ± (blank) 3 PLACES ± (blank) 2 PLACES ± 0.05 1 PLACE ± 0.3 0 PLACES ± 0.5 DRAFT WHERE APPLICABLE MUST REMAIN WITHIN DIMENSIONS	THIS DRAWING CONTAINS INFORMATION THAT IS PROPRIETARY TO MOLEX ELECTRONIC TECHNOLOGIES, LLC AND SHOULD NOT BE USED WITHOUT WRITTEN PERMISSION		CURRENT REV DESC: EC NO: 601180 DRWN: SMORADICHARG 2018/07/03 CHK'D: THAERDT 2018/07/11 APPR: THAERDT 2018/07/11		 CSE M12 4P TC FE STR MA STR WSOR XM DE PRODUCT CUSTOMER DRAWING
	INITIAL REVISION: DRWN: MSCHWARZ 2015/08/14 APPR: CBRUNS 2016/05/10		DOCUMENT NUMBER: 1205010009 DOC TYPE: PSD DOC PART: 000 REVISION: A4		
	THIRD ANGLE PROJECTION: (Symbol) DRAWING: A3-SIZE SERIES: 120501		MATERIAL NUMBER: (blank) CUSTOMER: GENERAL MARKET SHEET NUMBER: 1 OF 1		
	DOCUMENT STATUS: P1 RELEASE DATE: 2018/07/11 08:50:55				