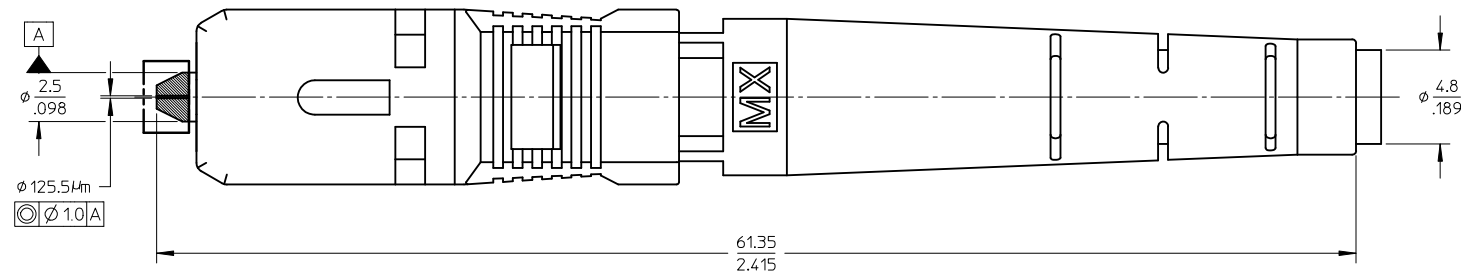
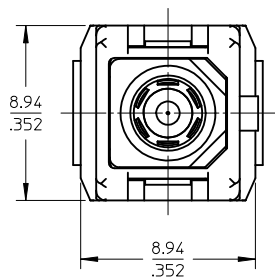
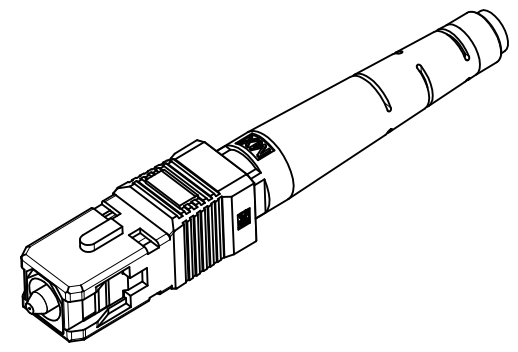


10 9 8 7 6 5 4 3 2 1

F
E
D
C
B
A



NOTE:
ALL DIMENSIONS ARE FOR REFERENCE ONLY.

| | | | | | |
|---|---|---|---|--|--|
| ENTER DESCRIPTION EC NO: MF2011-0336 DRAWN: SERNST 2011/02/16 CHKD: WCHEN APPR: WCHEN 2011/02/18 | QUALITY SYMBOLS $\nabla = 0$ $\nabla = 0$ $\nabla = 0$ | GENERAL TOLERANCES (UNLESS SPECIFIED) mm INCH 4 PLACES ± --- ± --- 3 PLACES ± --- ± --- 2 PLACES ± --- ± --- 1 PLACE ± --- ± --- ANGULAR ± 1° | DIMENSION STYLE MM/IN DRAWN BY DATE SERNST 2011/02/16 CHECKED BY DATE APPROVED BY DATE WCHEN 2011/02/18 | SCALE 4:1 DESIGN UNITS METRIC THIRD ANGLE PROJECTION | TITLE SC APC CONNECTOR 4.8MM VERSION |
| | DRAFT WHERE APPLICABLE MUST REMAIN WITHIN DIMENSIONS | MATERIAL NO. 1060337000 | DOCUMENT NO. SD-106033-7000 | SHEET NO. 1 OF 1 | |
| | MOLEX INCORPORATED | | | | |
| | THIS DRAWING CONTAINS INFORMATION THAT IS PROPRIETARY TO MOLEX INCORPORATED AND SHOULD NOT BE USED WITHOUT WRITTEN PERMISSION | | | | |

9 8 7 6 5 4 3 2 1