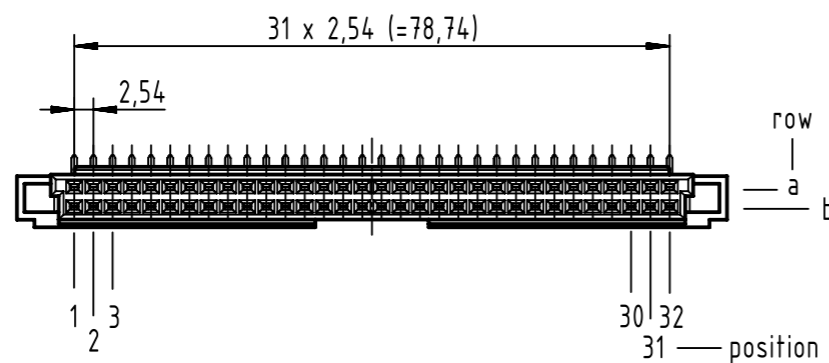
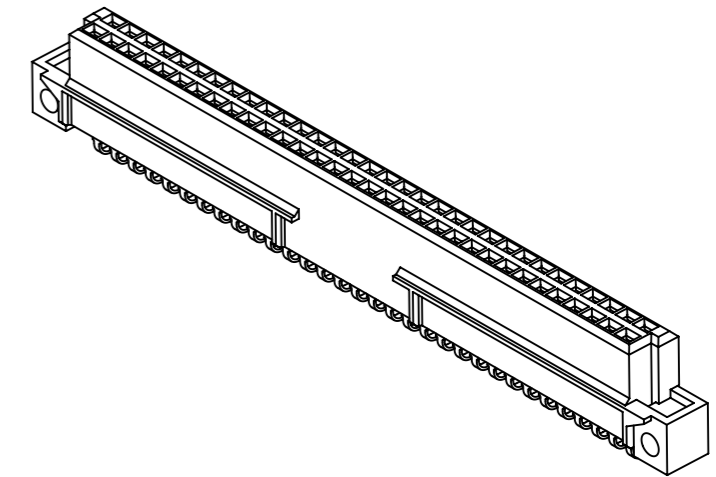
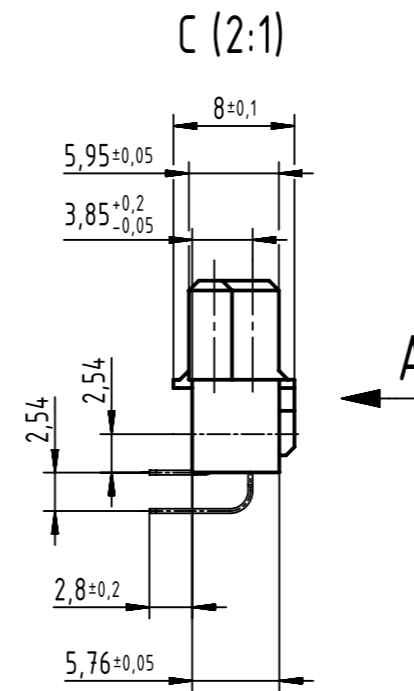
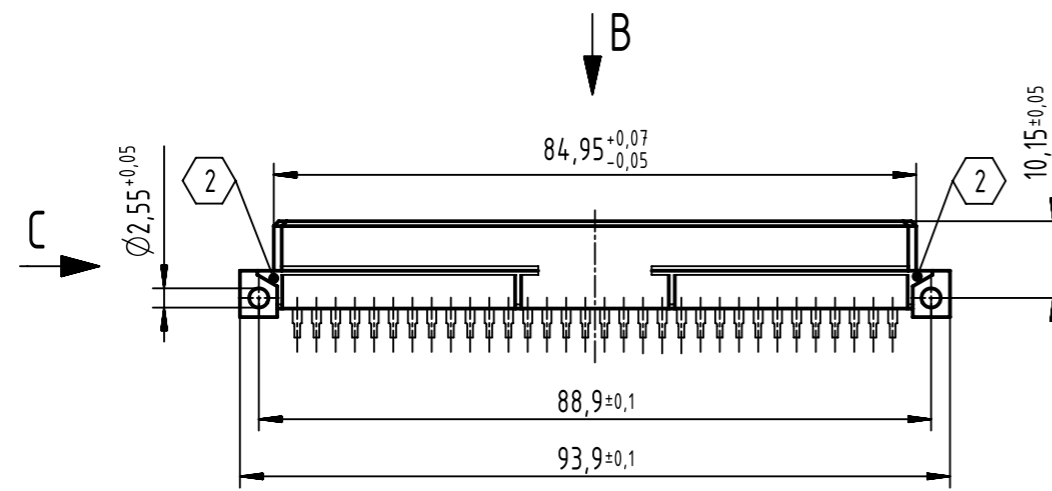


64 signal contacts

⊠ = position with contact

□ = position without contact



⬡ production process related cutting area, no functional impact

⬢ further information see: DS 09732230201

09 72 264 6804	2
part no.	performance level 1

	All Dimensions in mm Original Size DIN A3	Scale 1:1	Free size tol. IEC 60603-2	Ref. Sub.
	All rights reserved Department EL PD	Created by STORCK	Inspected by LEHNERT	Standardisation HOFFMANN
HARTING Electronics GmbH D-32339 Espelkamp	Title DIN Signal type Q female solder angled THR 64-pole			Doc-Key / ECM-Nr. 100612646/UGD/009/C 500000154588
	Type TB	Number 0972264X804		Rev. C Page 1/1