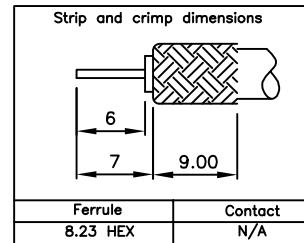
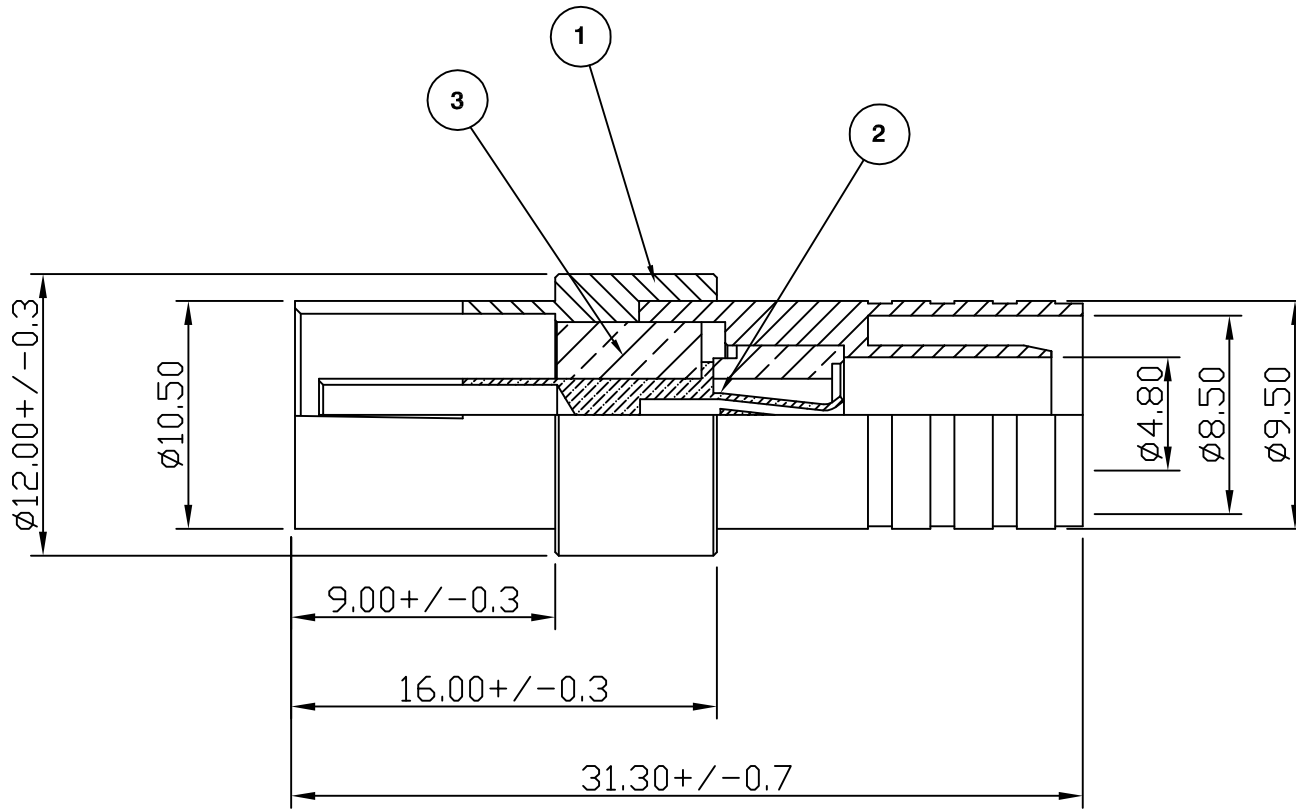


RoHS COMPLIANT



For stripping and assembly instructions see Drawing Number: VAIE3103

**Electrical Characteristics**

Nominal Impedance:	60-75 Ohms
Frequency Range:	DC to 900 MHz
VSWR:	1.35:1 maximum
Operating Voltage (DC):	4000 V maximum
Dielectric Withstand Voltage (rms):	1500 V maximum at sea level
Contact Resistance:	3.0 milliohms maximum
Insulation Resistance:	10000 megohms minimum

**Mechanical Characteristics**

Mating Cycles:	50 cycles (subject to cable)
Interface Dimensions:	Conform to MIL-C-39012

**Environmental Characteristics**

Temperature Range:	-55 °C to +85 °C
--------------------	------------------

PART	DESCRIPTION
1	Body Zinc, Nickel Plated
2	Contact Brass, Nickel Plated
3	Insulator POM

CAD Issue	MS	2	19 Jun 12
First Issue	IS	1	26 July 95
DESCRIPTION OF REVISION	APPVD	ISS	DATE



Cinch Connectivity Solutions  
7-13 Russell Way,  
Widford Industrial Estate,  
Chelmsford, Essex,  
CM1 3AA, UK.  
Tel: +44 (0) 1245 359515  
Fax: +44 (0) 1245 358938

SCALE: Not To Scale

DIMENSIONS: mm

TOLERANCES:  
± 0.2mm unless  
otherwise stated

DRAWN BY:	S Nash
CHECKED BY:	S Nash
APPROVED BY:	M Nielsen
DATE:	14 Feb 02

TITLE:  
**Euro Crimp Jack for RG6**

PART NUMBER:  
**VE30-2029**

PAGE: 1 of 1