

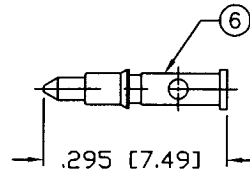
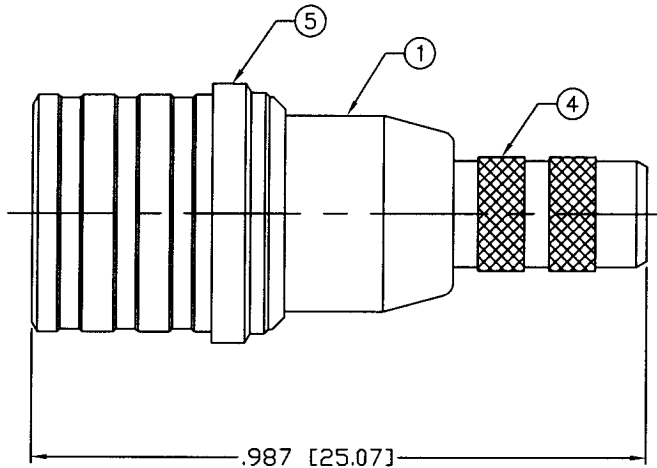
THIS DRAWING CONTAINS INFORMATION PROPRIETARY TO RF INDUSTRIES.
 ANY UNAUTHORIZED USE OF THIS DRAWING IS EXPRESSLY PROHIBITED
 WITHOUT WRITTEN PERMISSION FROM RF INDUSTRIES.
 ANY VIOLATION IS PUNISHABLE UNDER U.S. COPYRIGHT LAWS.

ALL DIMENSIONS ARE REFERENCE ONLY

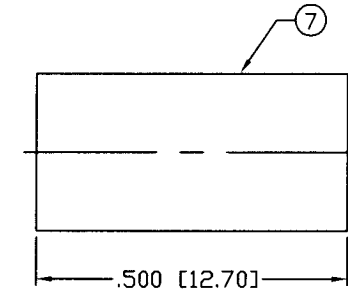
PART NO.

RQA-5000-C

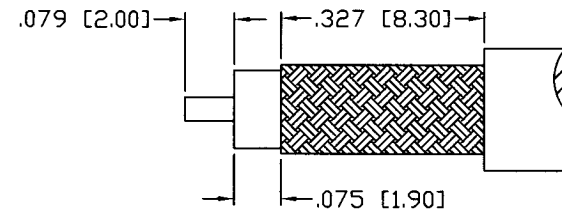
REV	DESCRIPTION	DWN	DATE	APPROVED
-	ENGINEERING RELEASE	CZS	3/8/04	JDMc



PIN TO BE SOLDERED



RECOMMENDED CRIMP DIE: .213"



RECOMMENDED STRIPPING DIM'S

SPECIFICATIONS:

IMPEDANCE: 50 Ohms
 FREQUENCY RANGE: 0-6 GHz
 INSULATION RESISTANCE: 5k M Ohms min.
 TEMPERATURE RANGE: -65°C TO 165°C
 FOR RG-58, 58A, 58C, 141, 141A, BELDEN 8240, 9907
 8259, 8262, 9201, 9203, 9310, 9311 & COMM/SCOPE 0268

1	BODY	1	BRASS	ALBALOY, 80μ"	008974	
2	GROUND RING	1	WHT BRONZE	ALBALOY, 80μ"		
3	INSULATOR	1	PTFE	---		
4	FERRULE STUD	1	BRASS	ALBALOY, 80μ"		
5	SHELL	1	BRASS	ALBALOY, 80μ"		
6	PIN	1	BRASS	GOLD, 30μ"		
7	FERRULE	1	BRASS	ALBALOY, 80μ"		
8						
9						
10						
11						
12						
13						
14						
#	DESCRIPTION	QTY	MATERIAL	FINISH	APPROVALS	DATE

DRAWN
C. ZUNIGA 3/9/04
 CHECKED
JDM 3-10-04
 ORJ DRAWN
C. ZUNIGA 3/9/04

UNLESS OTHERWISE SPECIFIED:

DIMENSIONS ARE IN INCHES
 AND [MILLIMETERS]
 UNLESS OTHERWISE NOTED
 TOLERANCES ARE:
 DECIMALS DIAMETER

RFconnectors
 DIVISION OF RF INDUSTRIES, LTD.

7610 MIRAMAR RD
 SAN DIEGO, CA 92126
 (858) 549-6340
 (858) 549-6345 FAX

QMA PLUG, QUICK MATE

CRIMP / SOLDER

SIZE	CABLE GROUP	DWG NO.	REV
A	C	RQA-5000-C	-

SCALE: NTS CAD FILE OUTLINE SHEET 1 OF 1