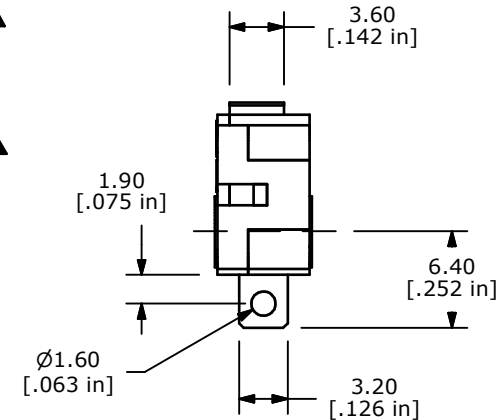
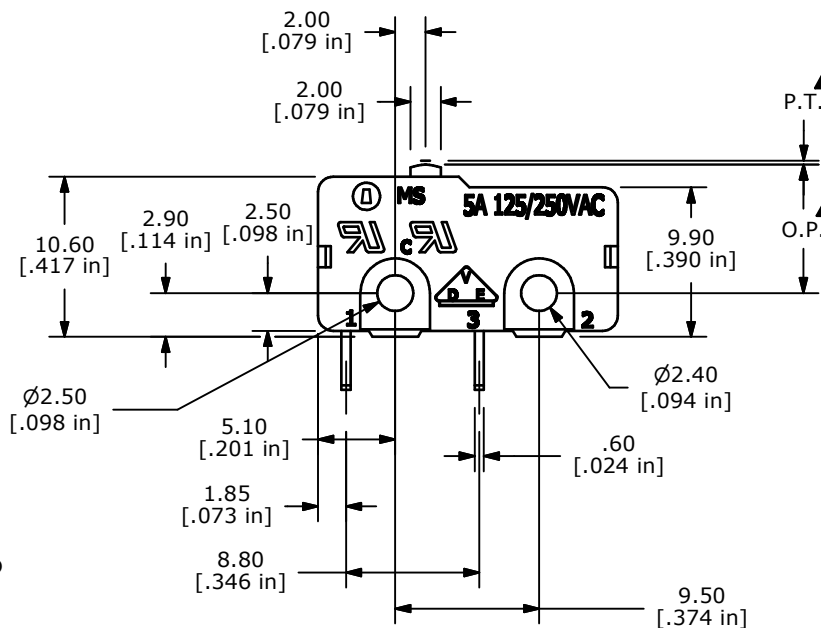
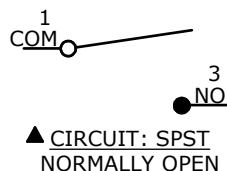
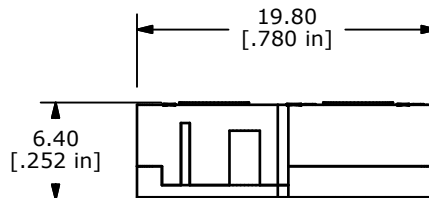


ISOMETRIC

▲ O.P. (MM)	P.T. (MM)
8.5 ±0.3	0.8 MAX.

O.P. = OPERATING POINT
P.T. = PRE-TRAVEL



NOTES:

1. ALL DIMENSIONS IN MM [INCH]
2. GENERAL TOLERANCE: X.X=±0.4
X.XX=±0.25
3. RATING: 5A @125/250VAC UL, CUL, VDE APPROVED
- ▲ 4. OPERATING FORCE: 60 ± 25 GRAMS
5. OPERATING TEMP: -25°C TO 85°C
6. ELECTRICAL LIFE: 50,000 CYCLES MIN.
7. MECHANICAL LIFE: 1,000,000 CYCLES TYP.
8. INSULATION RESISTANCE: 100 MEGA-OHMS @ 500 VDC
9. DIELECTRIC STRENGTH: 1000 VAC 1 MINUTE (INITIAL VALUE)
10. CONTACT RESISTANCE: 100 MILLI-OHMS MAX.
11. ▲ DENOTES CRITICAL PARAMETER.
12. 2002/95/EC (ROHS) COMPLIANT



TITLE MS0850500F060S1C				
SCALE 2:1	DATE 3/11/2009	DR BLR	DWG Q970098	REV A

A	18440	RELEASED FOR PRODUCTION	3/11/09	BLR
REV	PCR NO	DESCRIPTION	DATE	BY

THE INFORMATION CONTAINED IN THIS DOCUMENT IS PROPRIETARY TO E-SWITCH AND IS NOT TO BE COPIED OR TRANSFERRED