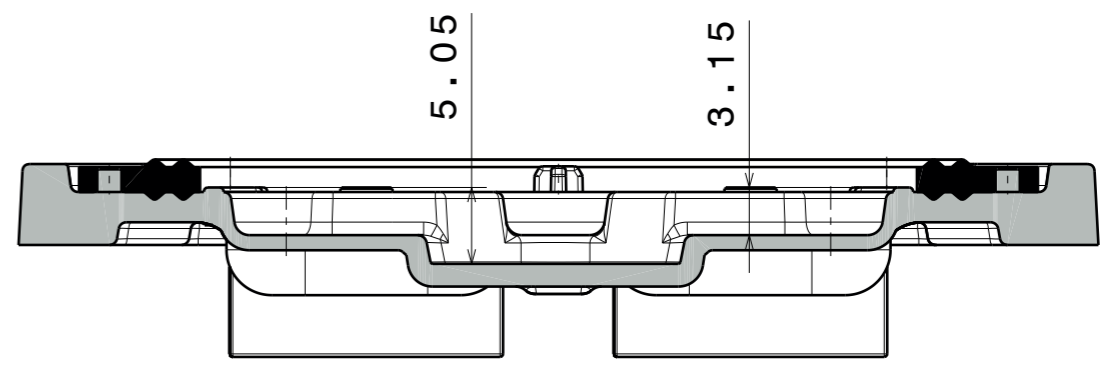
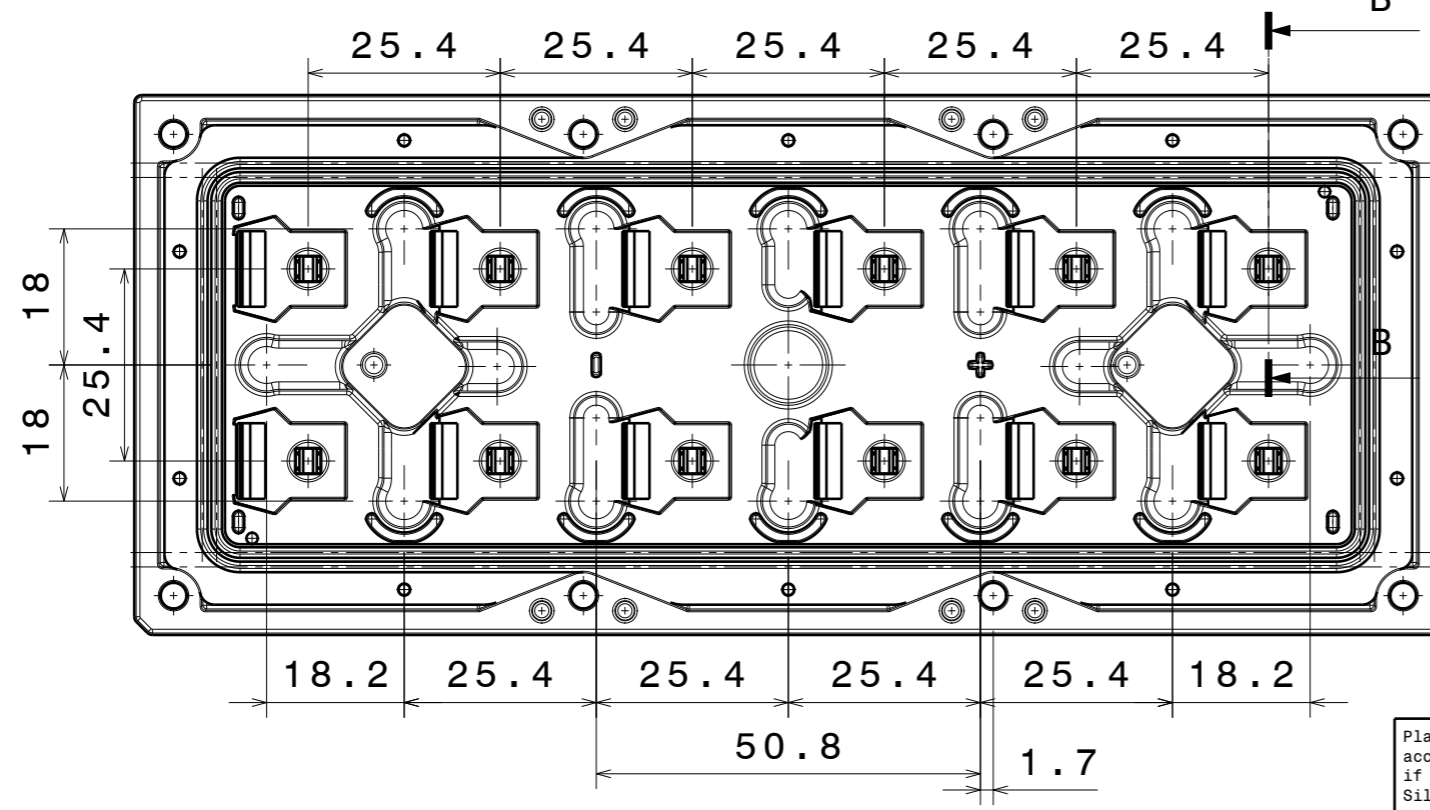


Top view
Scale: 1:1

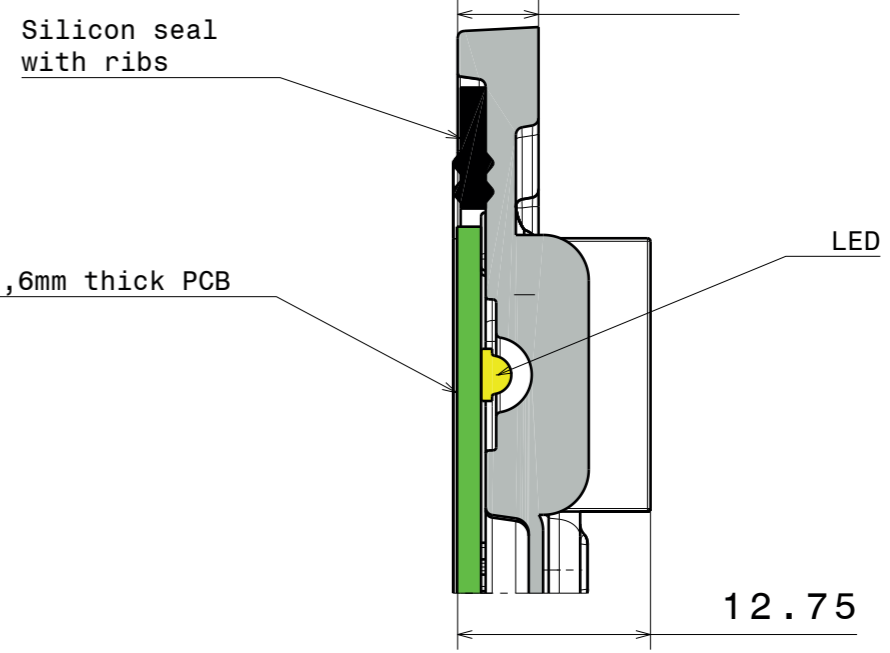
Beam direction



Section view A-A
Scale: 2:1



Bottom view
Scale: 1:1



Section view B-B
Scale: 2:1

INDEX	PART NO	DESCRIPTION	MATERIAL	COLOUR
1	C14018	2X6-SEAL25	PMMA	Clear
2	C15360	STRADA-IP-2X6-T3-B	Silicone	White

Plastic moulding general tolerances according to DIN 16901-130 and applies if not otherwise shown in the drawing.
Silicone moulding general tolerances according to ISO 3302-1 Class M3 and applies if not otherwise shown in the drawing.

LEDiL LediL Oy
Salorankatu 10
FIN 24240 SALO
Finland

THIRD ANGLE PROJECTION:

DRAWING TITLE
CS15362_STRADA-IP-2X6-T3-B

This drawing is the property of LEDiL Oy. It may not be reproduced, copied or communicated without a written agreement with LEDiL Oy.

SIZE: **A3** PART NUMBER: **CS15362**

SCALE: 1:1 WEIGHT: SHEET: 1/1