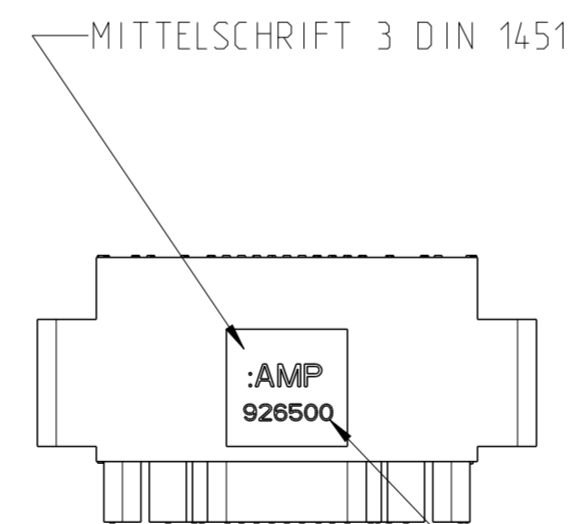
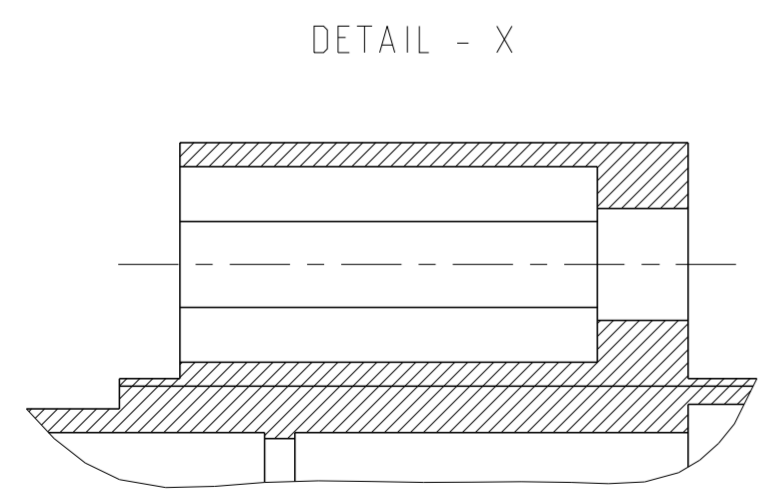
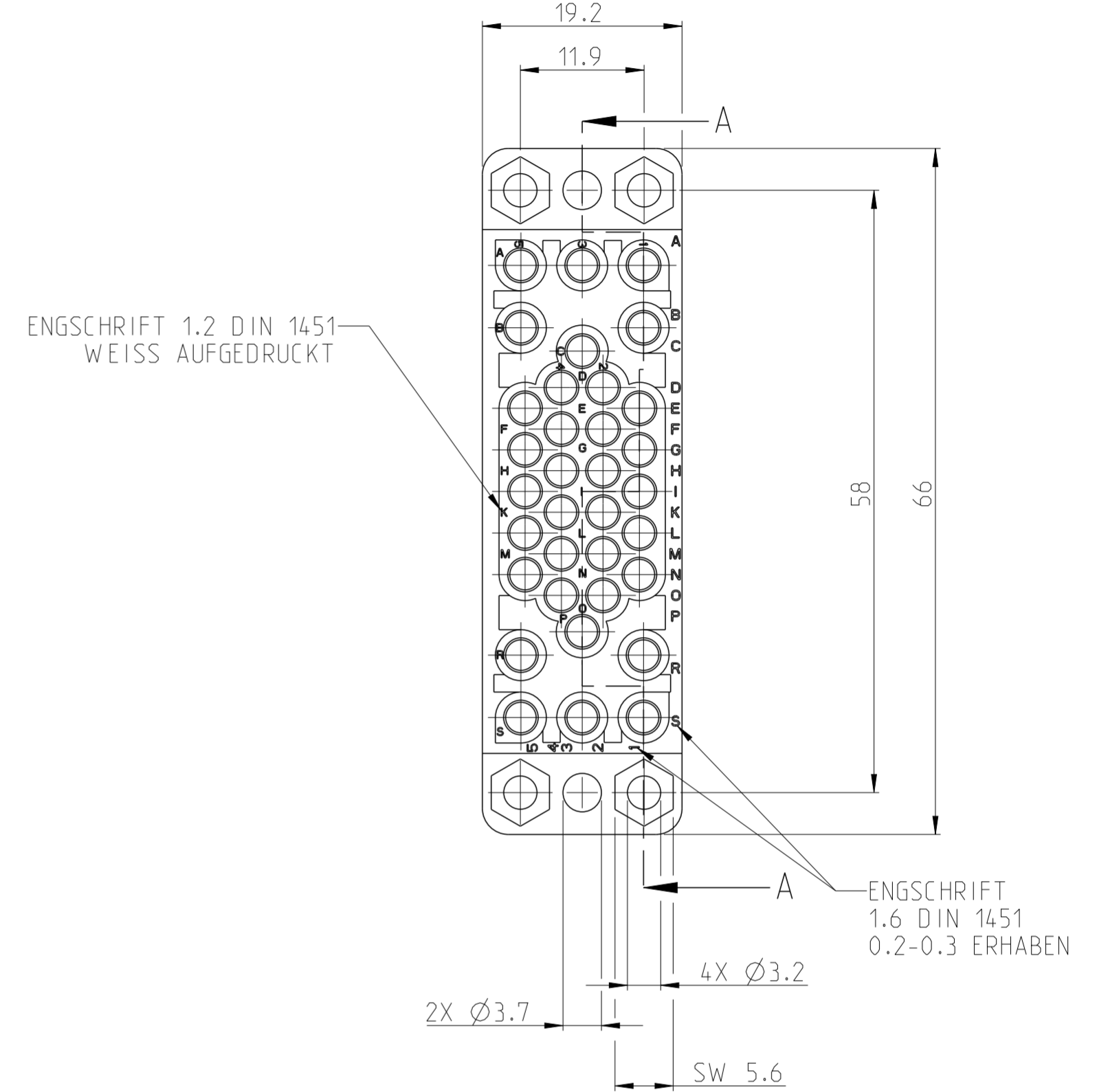
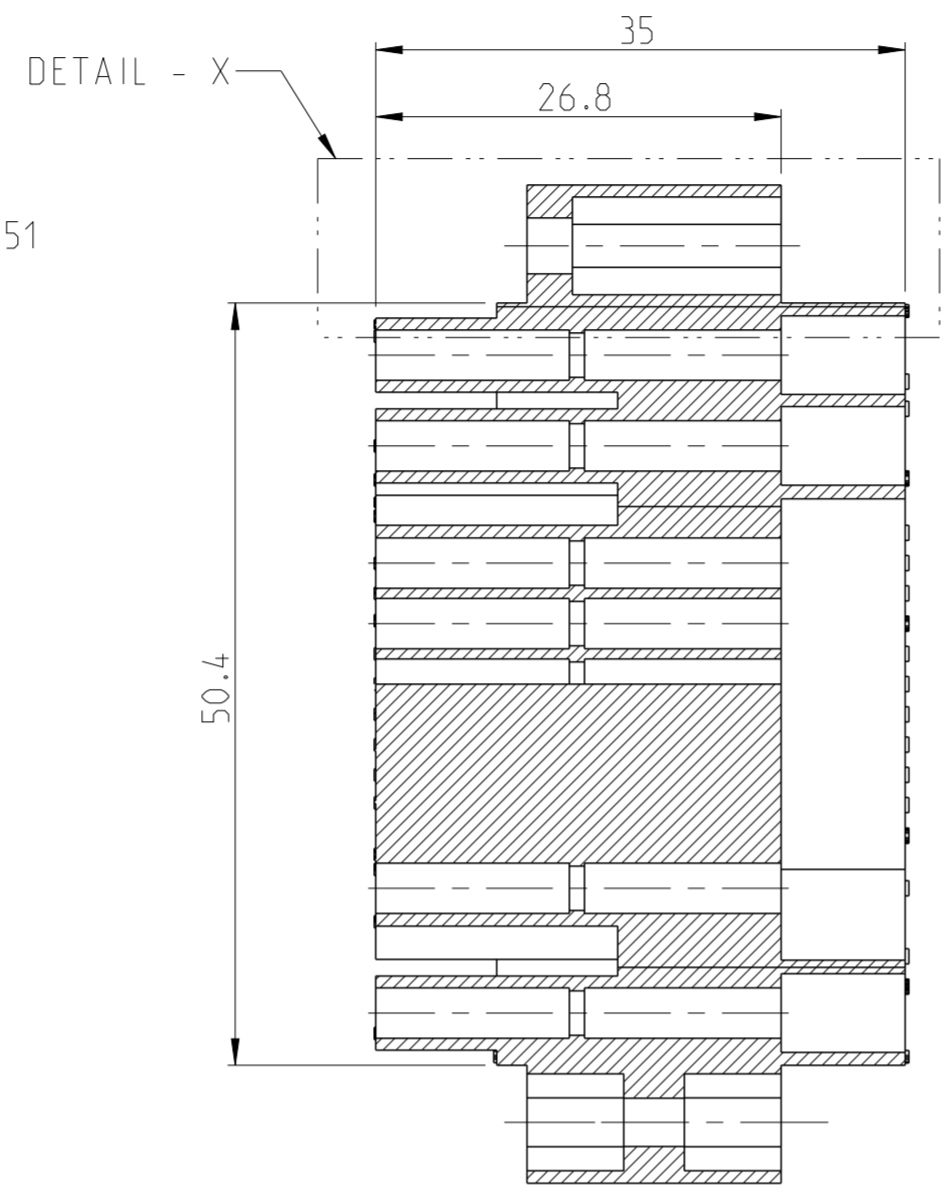
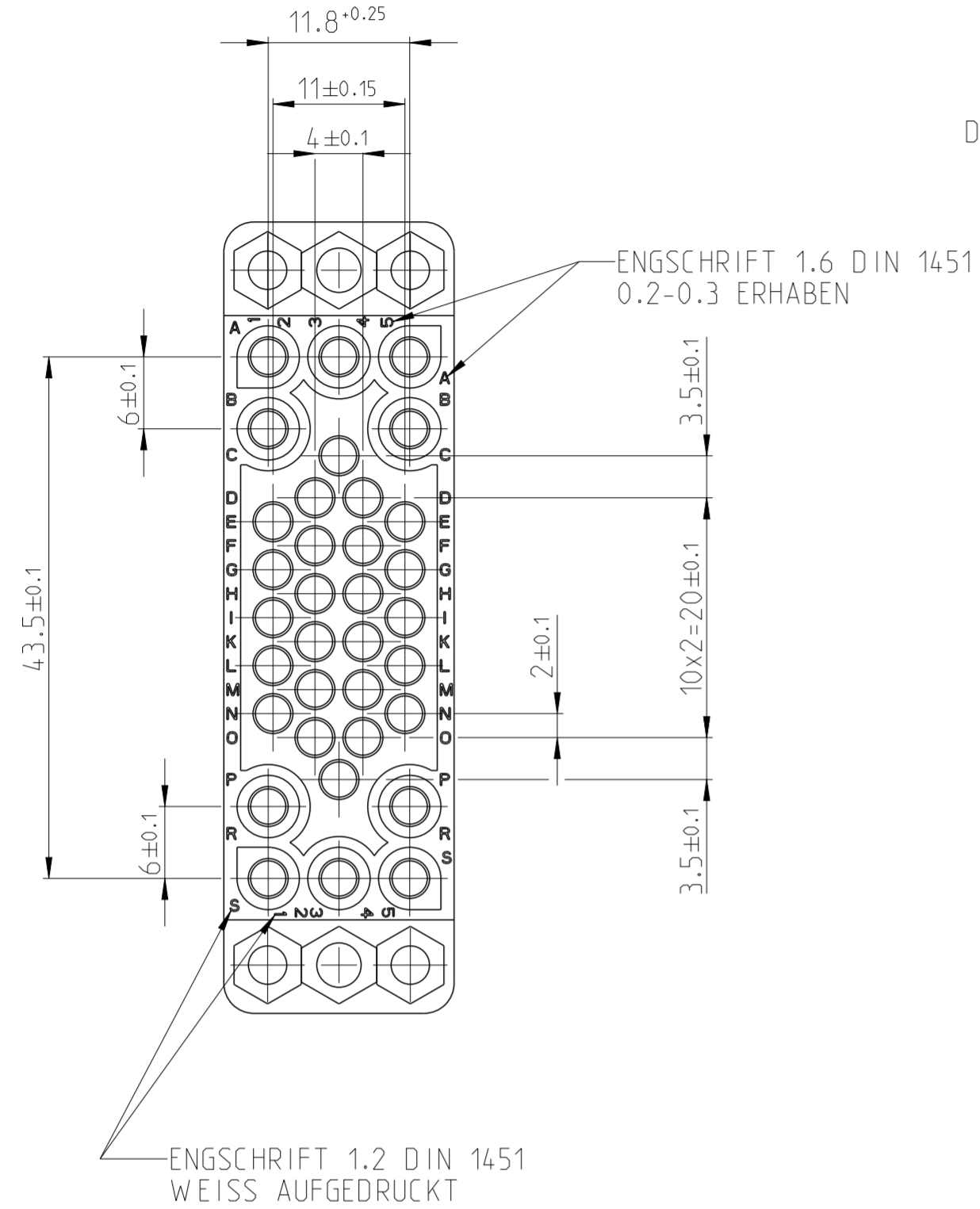


THIS DRAWING IS UNPUBLISHED. RELEASED FOR PUBLICATION 20
 © COPYRIGHT 20 BY - ALL RIGHTS RESERVED.

LOC		DIST		REVISIONS			
P	LTR	DESCRIPTION		DATE	DWN	APVD	
B2		DIM 12.1 CORRECTED TO 11.8 IN ZONE D4		27JAN2014	TJ	JK	
C		REVISED PER ECO-20-006378		27MAY2020	SM	JMV	



- 1 FORTRON 1140L6 PPS BLACK SD3002, A 1-703391-0 40% GL Fbr Reinf
- 2 OBSOLETE PARTS: OBSOLETE CIS STREAMLINING PER D.RENAUD/D.SINSI

2	SEE DETAIL-X	926500-2	1	SCHWARZ
		926500-1	1	SCHWARZ
	Bestell-Nr.	Werkstoff		Oberfläche

926500-2 2
OBSOLETE

BESTELL-NR: MITTELSCHRIFT 2 DIN 1451

THIS DRAWING IS A CONTROLLED DOCUMENT.

DWN	MOHAMMED THAJUDEEN	26NOV2013	TE Connectivity
CHK	PRASHANTH	26NOV2013	
APVD	JAYANTH KUMAR	26NOV2013	NAME
PRODUCT SPEC			34 POS. M-SERIES HOUSING
APPLICATION SPEC			SIZE
WEIGHT			CAGE CODE
CUSTOMER DRAWING			DRAWING NO
SEE TABLE			RESTRICTED TO
SEE TABLE			SCALE
			SHEET
			REV

SCALE 2:1 SHEET 1 OF 1 REV C