

LAYOUT SHOWN AS EXAMPLE

Keying Shown as example

CHARACTERISTICS

- Standard : Based on MIL-DTL-38999 Series III
- Shell Material : Aluminium
- Shell Plating : Nickel
- Insulator : Thermoplastic
- Contacts : Copper Alloy
- Seals & Grommet : Silicon Elastomer
- Contact Plating : Gold over copper Alloy 0.8µm minimum
- Durability : 500 Mating cycles
- Delivered without Souriau contacts
- Temperature Range : -65°C to +200°C
- Salt Spray : 48 hours
- Mass : 17.18 g ± 10%

| Connector dimension | |
|---------------------|-----------------|
| Dim | Nominal |
| A | 34.9±0.3 |
| B | 19.07+0.1/-0.15 |
| R | 32.5Max |
| S | 31.8±0.4 |
| W | 2.2+0.9/-0.1 |
| VV THREAD | M15x1-6g |

SOURIAU shall not be liable for any non-conformity or damage due to a use of the Products which does not comply with the Specifications issued by either of the Parties or by a third party (professional recommendation, technical notice.)

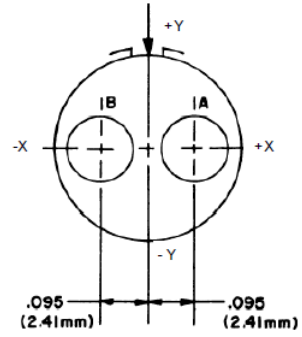
| | |
|---------|-----------------------------|
| Country | Jurisdiction & Control List |
| FR | Not Listed |

PN: 8D711F02PAL

| | | | |
|--------------|---|--------------------------------|---|
| A | 30-09-2016 | First Release | |
| ISS | DATE | Latest modification - by | MOD N° |
| Designed By: | | Date: | CUSTOMER DRAWING |
| TITLE | Aluminium Receptacle 8D series | | |
| SCALE | | General linear Tolerances: ±-- | NPRDS / PROJECT 859 |
| NA | SOURIAU WWW.SOURIAU.COM | | This document is the property of SOURIAU it must not be reproduced or communicated without permission |
| FORMAT | A3 | | SOURIAU DRG N° 8D711F02PAL-C SHEET 1/2 |

| | | | | | | | | | | |
|----------------|------------------------|---|---|----|---|----|---|---|---|---------------------------------|
| BASIC SERIES: | 8D | 7 | - | 11 | F | 02 | P | A | L | Delivered W/O Contacts |
| SHELL TYPE : | Jam nut Receptacle | | | | | | | | | ORIENTATION : A |
| CONTACT TYPE : | Standard Crimp Contact | | | | | | | | | CONTACT TYPE : PIN(500 Matings) |
| SHELL SIZE : | 11 | | | | | | | | | CONTACT LAYOUT : 11-02 |
| PLATING : | F = Nickel | | | | | | | | | |

Contact Layout

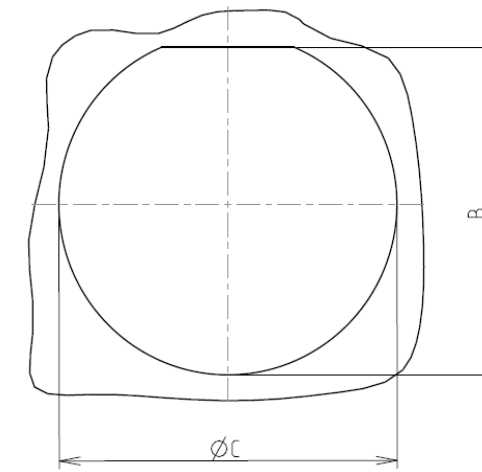


| Contacts (Insert arrangement 11-2) | | |
|---------------------------------------|------------------|--------------|
| Contact position ID | Contact location | |
| | X-axis (mm) | Y-axis (mm) |
| A | +0.095 (2.41) | +0.000 (.00) |
| B | -0.095 (2.41) | +0.000 (.00) |

| Shell size | Arrangement no. | Number of contacts | Size contacts | Service rating | Contact location |
|------------|-----------------|--------------------|---------------|----------------|------------------|
| 11 | -2 | 2 | 16 | I | All |

Panel cutout

JAM NUT RECEPTACLE (TYPE 7)



| Dim | Nominal |
|-----|---------------|
| B | 19.59+0/-0.25 |
| ØC | 20.96+0.25/-0 |

SOURIAU shall not be liable for any non-conformity or damage due to a use of the Products which does not comply with the Specifications issued by either of the Parties or by a third party (professional recommendation, technical notice.)

| Country | Jurisdiction & Control List |
|---------|-----------------------------|
| FR | Not Listed |

PN: 8D711F02PAL

| | | | |
|----------------|-------------------------------------|----------------------------|---|
| A | 30-09-2016 | First Release | |
| ISS | DATE | Latest modification - by | MOD N° |
| Designed By: | | Date: | CUSTOMER DRAWING |
| TITLE | Aluminium Receptacle 8D series | | |
| SCALE | | General linear Tolerances: | NPRDS / PROJECT |
| NA | | ±-- | 859 |
| SOURIAU | WWW.SOURIAU.COM | | This document is the property of SOURIAU it must not be reproduced or communicated without permission |
| FORMAT | SOURIAU DRG N° 8D711F02PAL-C | | SHEET 2/2 |