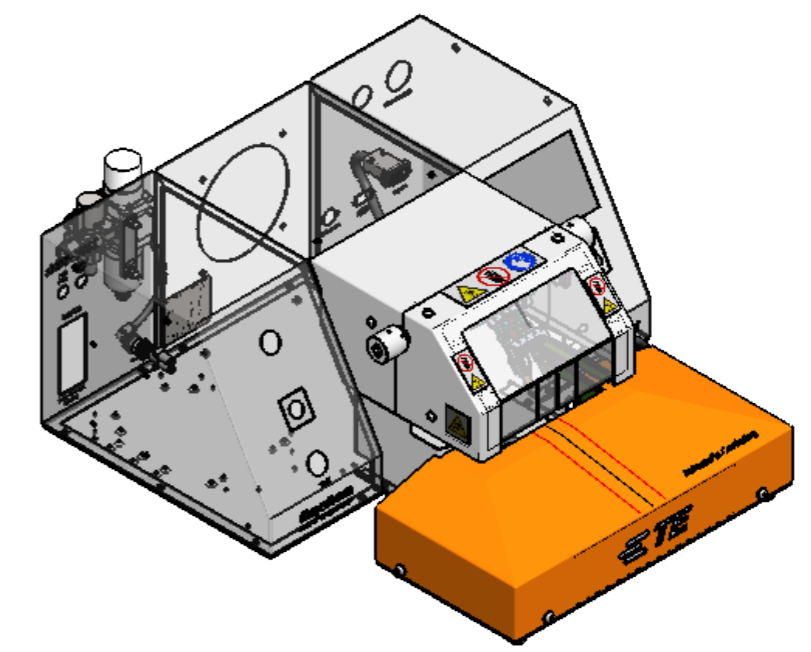
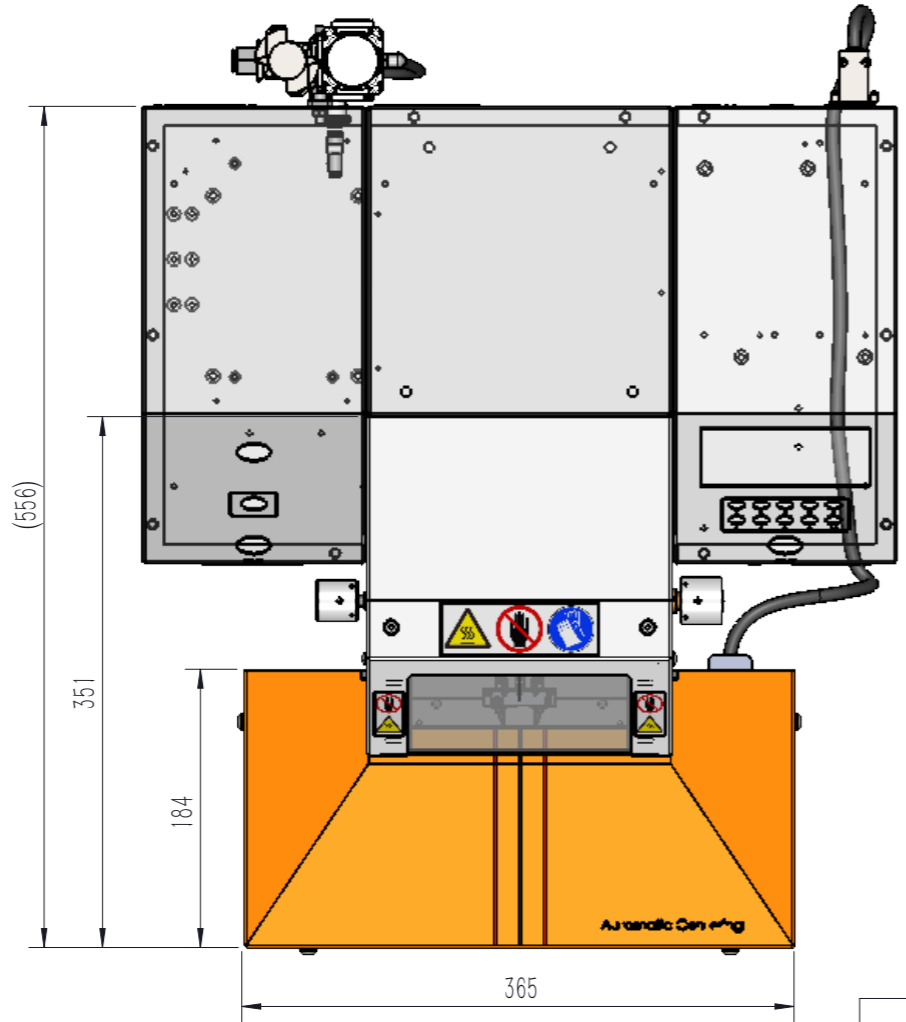
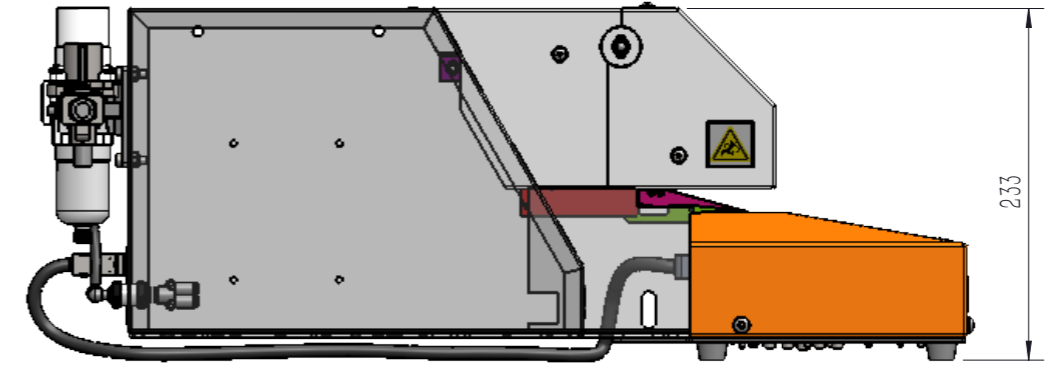
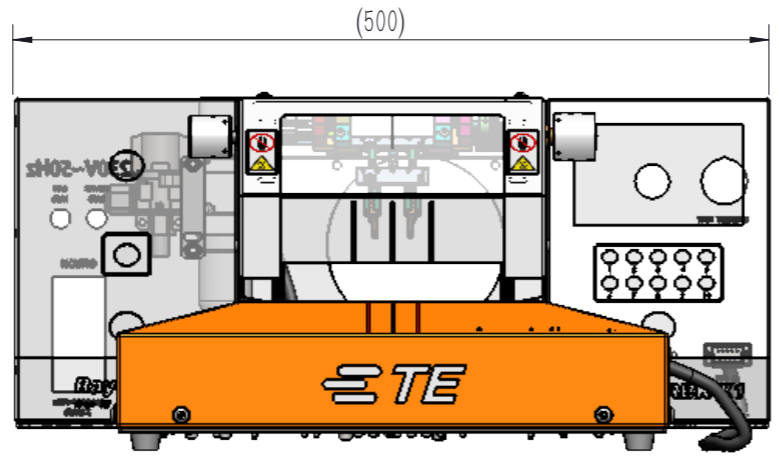

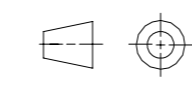


PART NUMBER	REV	FIRST USED	TYPE
2369600-1	A	-	STANDARD

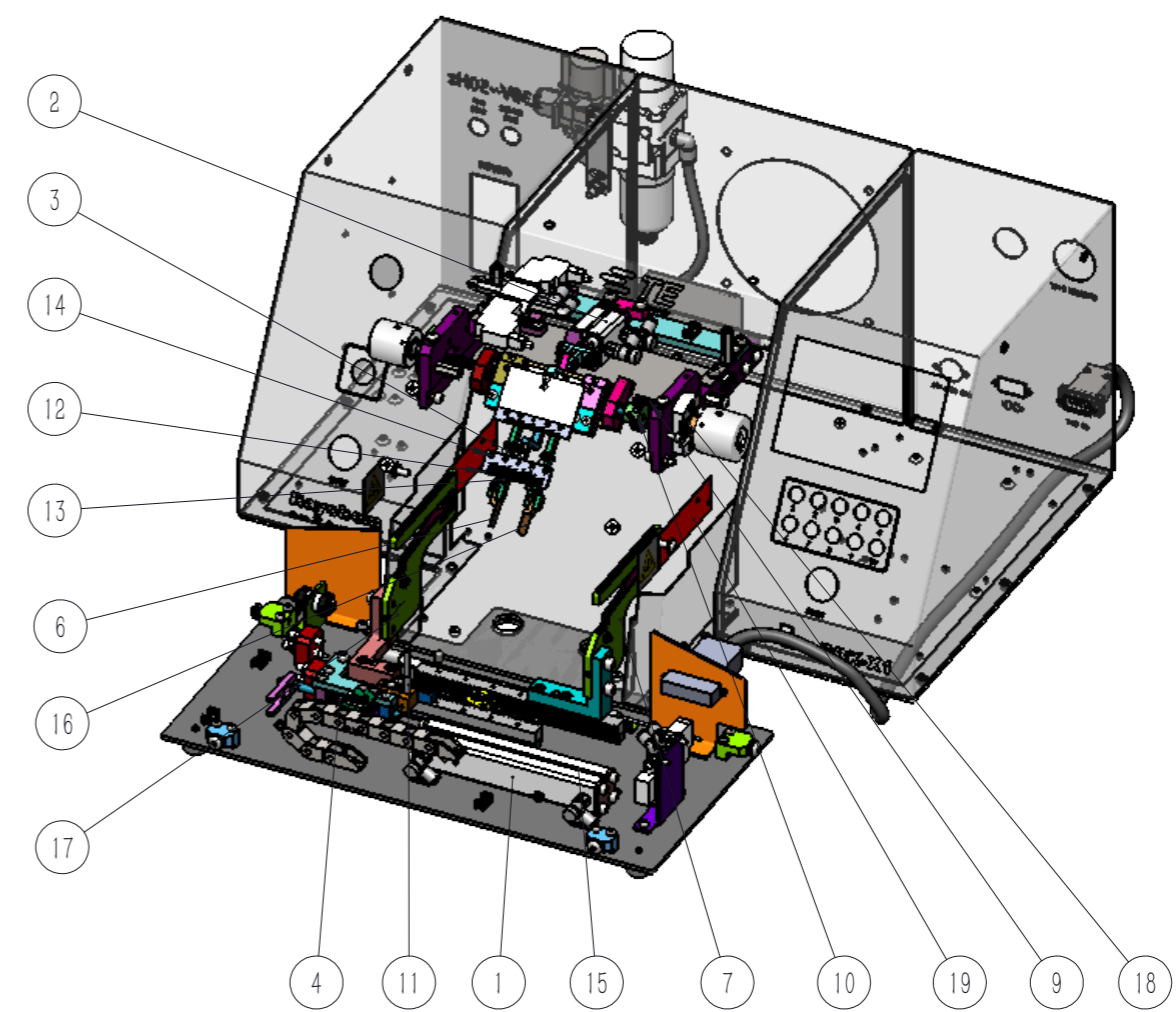
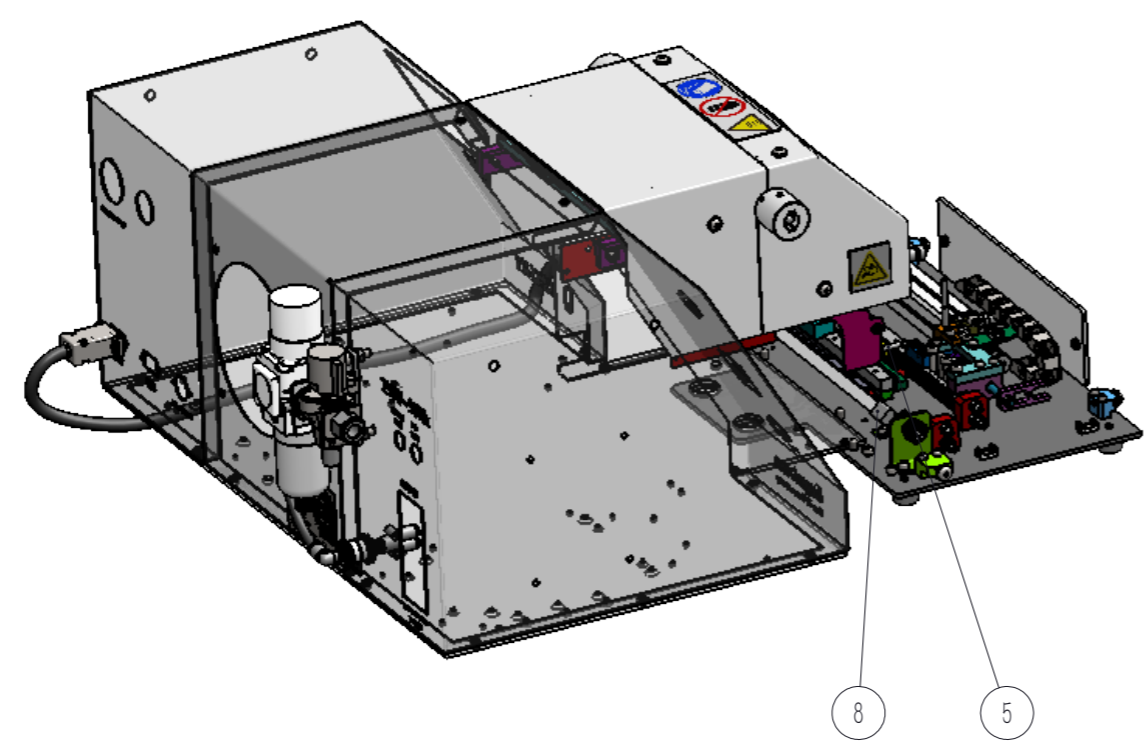
REVISIONS					
P	LTR	DESCRIPTION	DATE	DWN	APVD
	A	INITIAL RELEASE	6NOV20	CZ	



THIS DRAWING IS A CONTROLLED DOCUMENT.		DWN	C.ZHU	6NOV20	 TE Connectivity	
DIMENSIONS: mm		CHK				
		TOLERANCES UNLESS OTHERWISE SPECIFIED:		NAME		
MATERIAL		0 PLC	±		RBK-X1 CD HEAT SHRINK MACHINE	
		1 PLC	±		SIZE	A3
		2 PLC	±		CAGE CODE	
		3 PLC	±		DRAWING NO	C=2369600
		4 PLC	±		RESTRICTED TO	
		ANGLES	±		SCALE	1:5
		FINISH	-		SHEET	1 OF 3
			-		REV	A
					CUSTOMER DRAWING	

©			
PART NUMBER	REV	FIRST USED	TYPE
2369600-1	A	-	STANDARD

REVISIONS					
P	LTR	DESCRIPTION	DATE	DWN	APVD
	A	INITIAL RELEASE	6NOV20	CZ	




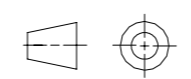
THIS DRAWING IS A CONTROLLED DOCUMENT.		DWN	C.ZHU	6NOV20		
DIMENSIONS: mm		CHK				
		TOLERANCES UNLESS OTHERWISE SPECIFIED:		NAME		
MATERIAL		0 PLC ±		RBK-X1 CD HEAT SHRINK MACHINE		
		1 PLC ±		SIZE		
		2 PLC ±		CAGE CODE		
		3 PLC ±		DRAWING NO		
		4 PLC ±		RESTRICTED TO		
		ANGLES ±		A3		
		FINISH		C=2369600		
				SCALE 1:5		
				SHEET 2 OF 3		
				REV A		
				CUSTOMER DRAWING		

C			
PART NUMBER	REV	FIRST USED	TYPE
2369600-1	A	-	STANDARD

REVISIONS				
P	LTR	DESCRIPTION	DATE	DWN
	A	INITIAL RELEASE	6NOV20	CZ

SPARE PARTS LIST

ITEM NO	-1	TE/PN	DESCRIPTION
1	1	4-2369604-5	CYLINDER,DETECTION UNIT
2	1	6-2369604-7	CYLINDER,CENTERING UNIT
3	2	5-2369604-8	SPRING,DETECTION UNIT
4	1	4-2369604-3	SPRING,COMPERSS TUBE
5	2	4-2369604-2	SPRING,SWING PIIECE
6	1	3-2369602-1	DETECT PIECE
7	1	3-2369602-7	PLATE OF CENTER
8	1	3-2369604-5	LIGHT
9	1	7-2369602-1	MAIN DRIVE GEAR
10	1	5-2369602-7	DRIVEN GEAR
11	1	2-2369604-5	SENSOR,CENTER OFTUBE
12	1	8-2369602-1	MARK PLATE
13	2	2-2369603-4	POINTER
14	1	3-2369604-9	CALIBRATION LABEL
15	4	5-2369604-6	SENSOR,CYLINDER
16	1	6-2369602-5	DETECT PIECE<SEE 3-2369602-1>
17	1	6-2369602-2	PLATE OF CENTER<SEE 3-2369602-7>
18	1	7-2369604-9	O-ring
19	2	2-2369603-2	EJECTOR BLADE

THIS DRAWING IS A CONTROLLED DOCUMENT.		DWN	C.ZHU	6NOV20	 TE Connectivity	
DIMENSIONS: mm		CHK				
		TOLERANCES UNLESS OTHERWISE SPECIFIED:		NAME		
MATERIAL		0 PLC	±	RBK-X1 CD HEAT SHRINK MACHINE		
		1 PLC	±	SIZE		
		2 PLC	±	CAGE CODE		
		3 PLC	±	DRAWING NO		
		4 PLC	±	RESTRICTED TO		
		ANGLES	±	A3		
		FINISH	-	C=2369600		
			-	SCALE 1:5		
			-	SHEET 3 OF 3		
			-	REV A		
			-	CUSTOMER DRAWING		