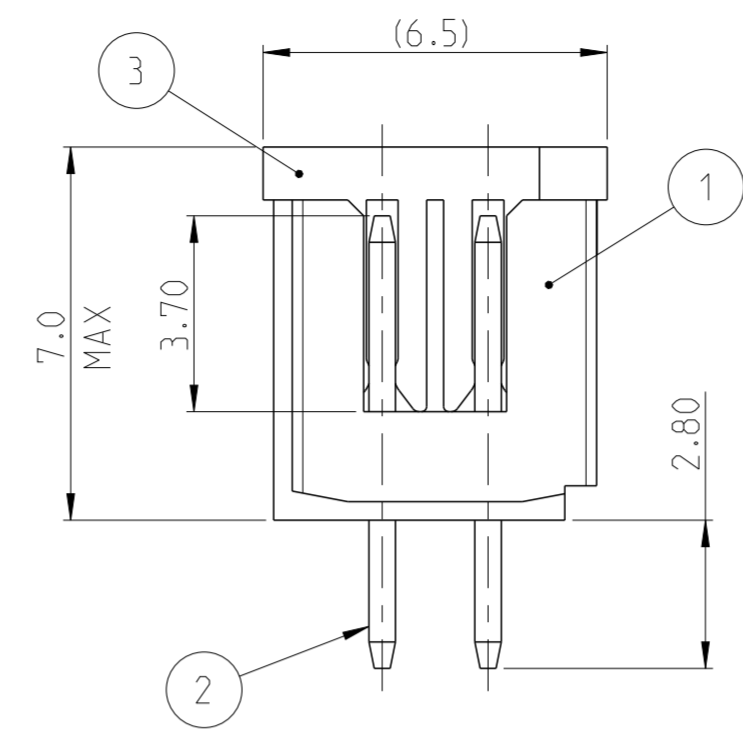
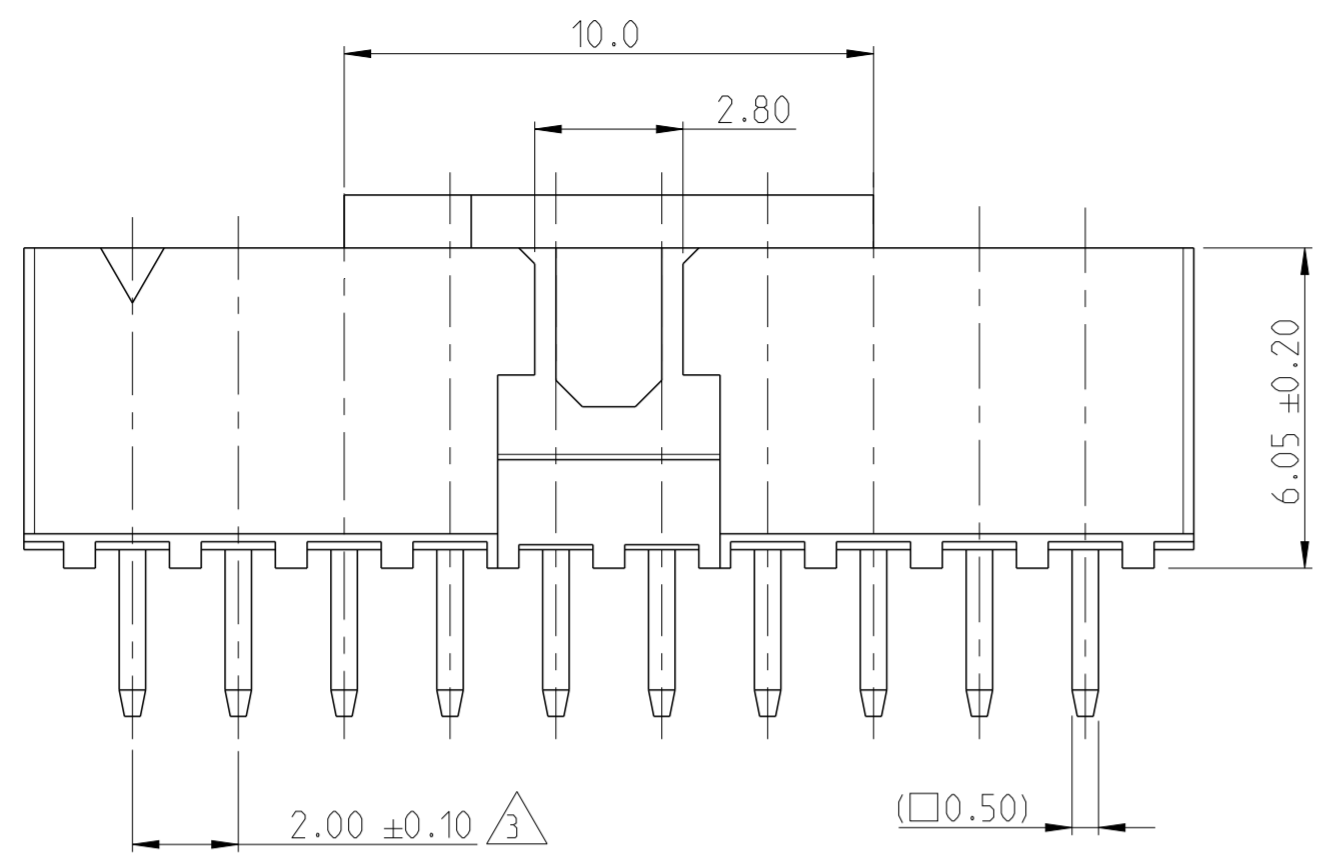
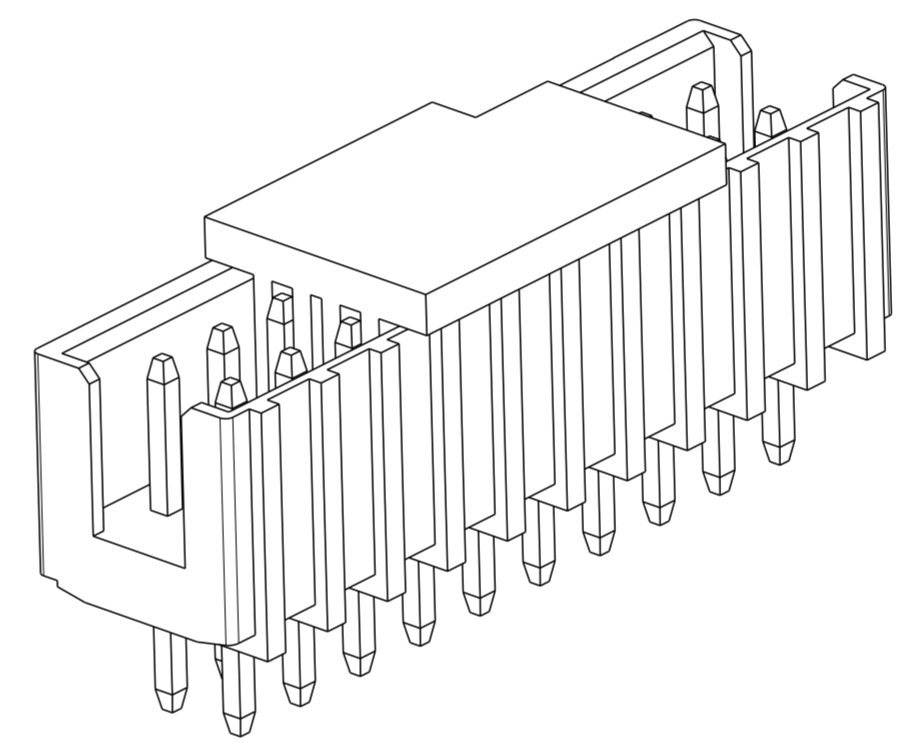
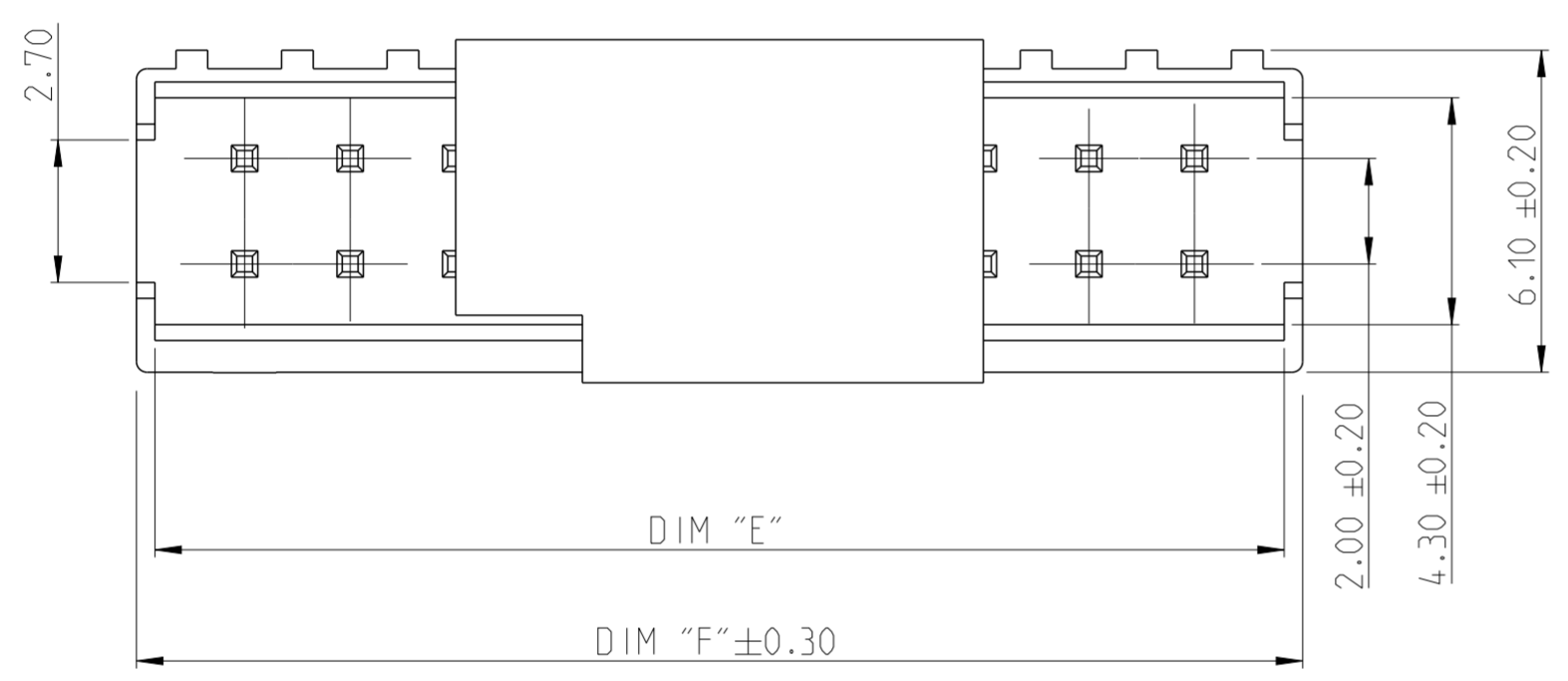


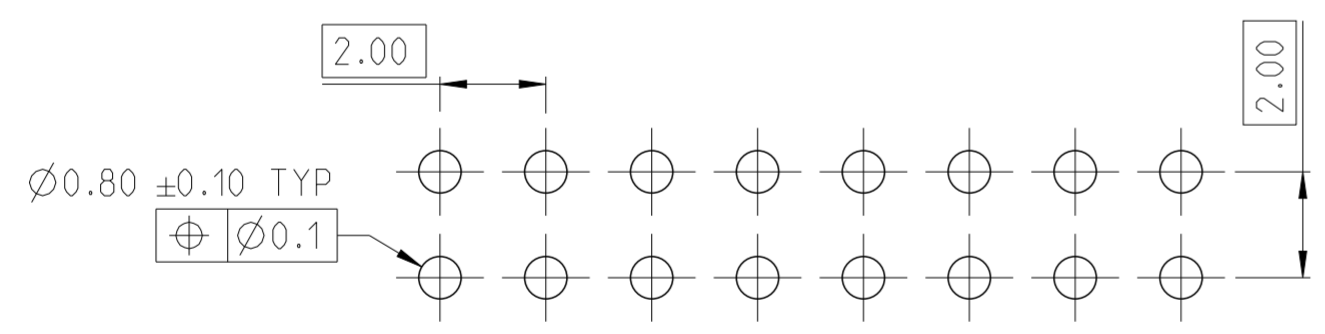
REVISIONS				
P	LTR	DESCRIPTION	DATE	APVD
A		RELEASE TO PRODUCTION	09DEC2019	AY PS
A1		REMOVE POSITION 4, 6 AND 8	04JUN2020	AY PS



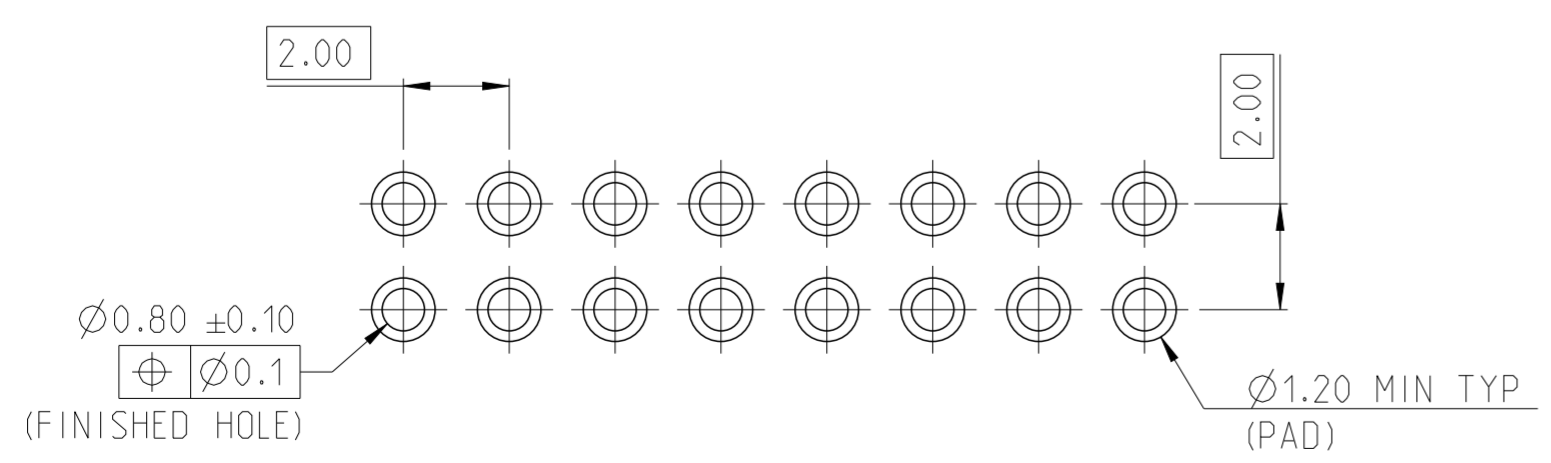
NOTES:
 1. MATERIAL
 HOUSING & P&P CAP : HIGH TEMPERATURE THERMOPLASTIC, UL94-V0; COLOR- BLACK
 POST : COPPER ALLOY
 FINISH :
 MATING SIDE: MIN. 0.76 μm GOLD OVER NICKEL UNDER PLATING.
 SOLDER SIDE: MIN. 2.0 μm TIN OVER NICKEL UNDER PLATING.
 2. PACKAGING: TUBE (WITH PICK AND PLACE CAP)
 TOLERANCE NOT CUMULATIVE.



52.10	51.40	50	5-2842288-0
50.10	49.40	48	4-2842288-8
48.10	47.40	46	4-2842288-6
46.10	45.40	44	4-2842288-4
44.10	43.40	42	4-2842288-2
42.10	41.40	40	4-2842288-0
40.10	39.40	38	3-2842288-8
38.10	37.40	36	3-2842288-6
36.10	35.40	34	3-2842288-4
34.10	33.40	32	3-2842288-2
32.10	31.40	30	3-2842288-0
30.10	29.40	28	2-2842288-8
28.10	27.40	26	2-2842288-6
26.10	25.40	24	2-2842288-4
24.10	23.40	22	2-2842288-2
22.10	21.40	20	2-2842288-0
20.10	19.40	18	1-2842288-8
18.10	17.40	16	1-2842288-6
16.10	15.40	14	1-2842288-4
14.10	13.40	12	1-2842288-2
12.10	11.40	10	1-2842288-0
DIM "F"	DIM "E"	POS.	TE PN.



RECOMMENDED PCB HOLE PATTERN FOR THROUGH HOLE WAVE



RECOMMENDED PCB HOLE PATTERN FOR THROUGH HOLE REFLOW/PIN-IN-PASTE

2-2842288-0 AS SHOWN

DESCRIPTION	ITEM NO.
PICK AND PLACE CAP	3
CONTACT PIN	2
HOUSING	1

THIS DRAWING IS A CONTROLLED DOCUMENT.		DWN ANKIT YADAV 11NOV2019
DIMENSIONS: mm		CHK KARTHIK JK 25NOV2019
TOLERANCES UNLESS OTHERWISE SPECIFIED:		APVD PRASHANTH S. 27NOV2019
0 PLC ±	1 PLC ±	PRODUCT SPEC 108-64040
2 PLC ±0.25	3 PLC ±	APPLICATION SPEC 114-32259
4 PLC ±	ANGLES ±2°	WEIGHT -
MATERIAL SEE NOTES	FINISH SEE NOTES	CUSTOMER DRAWING

TE Connectivity		NAME	
		AMPMODU 2mm SHROUDED HEADER DUAL ROW, VERTICAL TH. 0.76 Au, TUBE, WITH PICK AND PLACE CAP	
SIZE	CAGE CODE	DRAWING NO	RESTRICTED TO
A2	00779	C-2842288	-
SCALE 5:1		SHEET 1 OF 1	REV A1