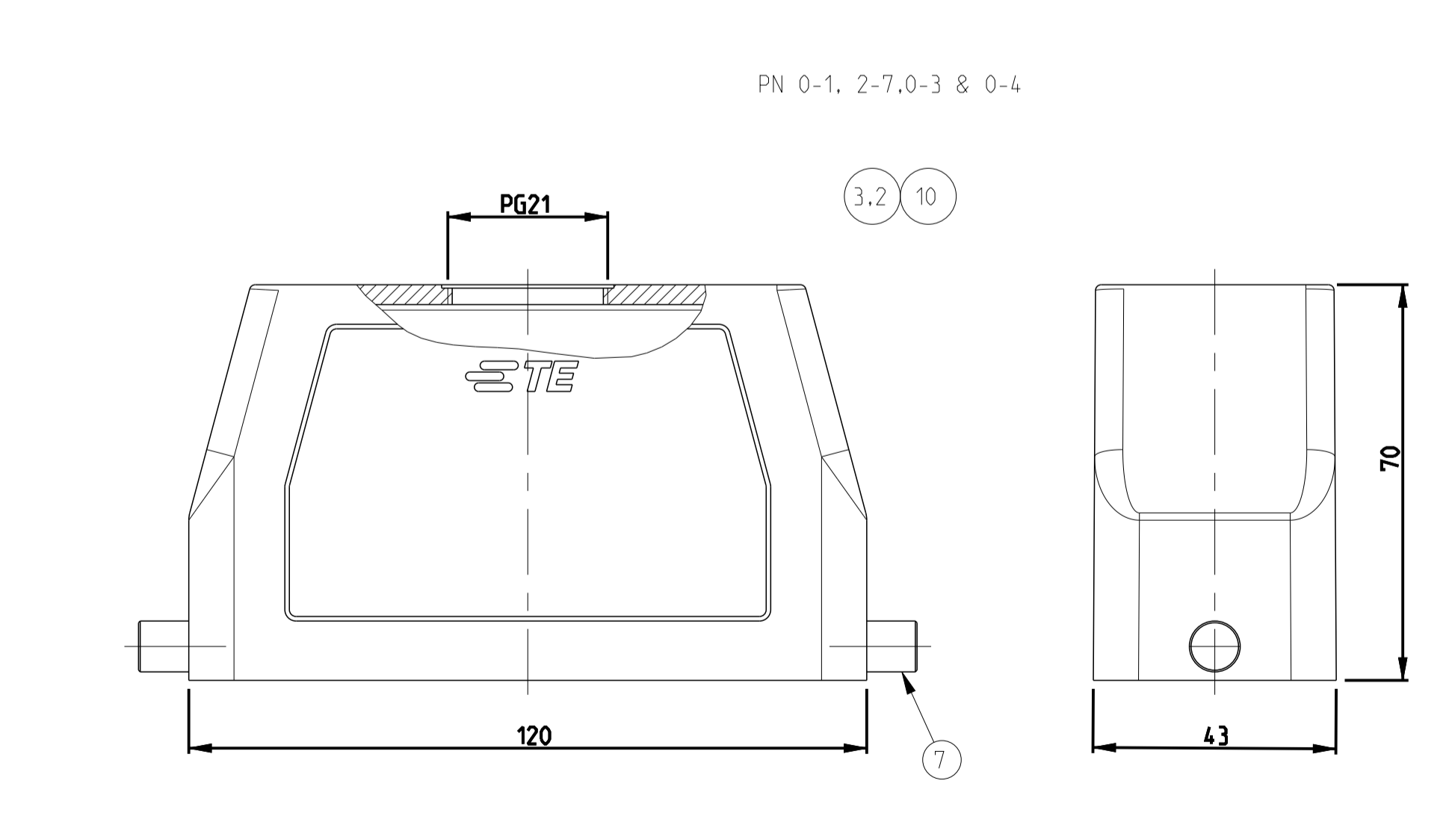
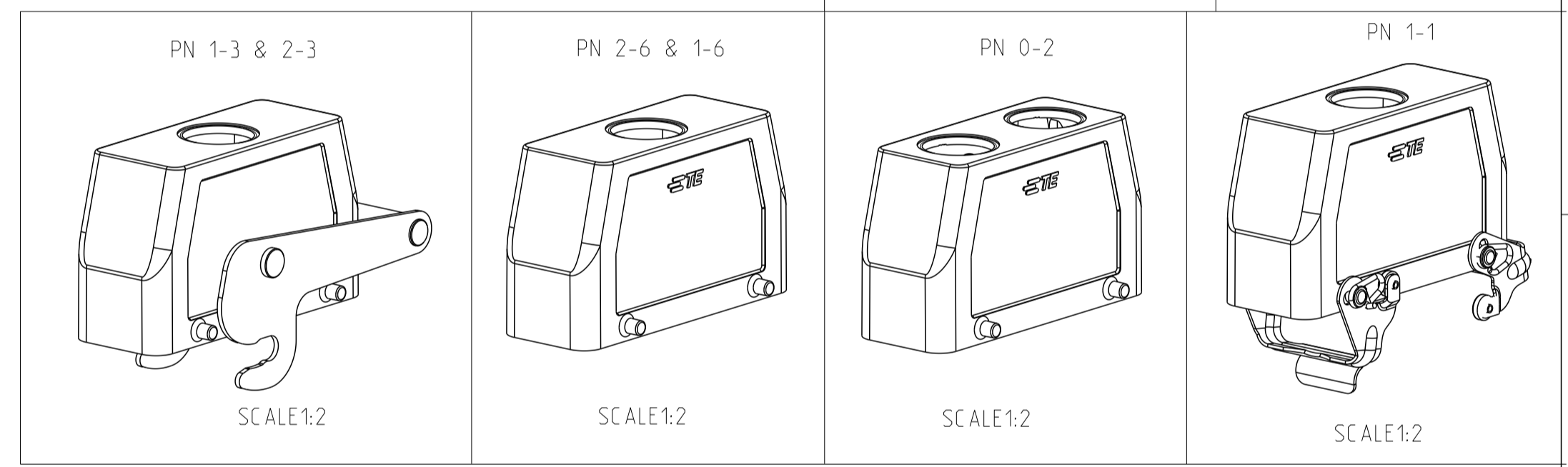
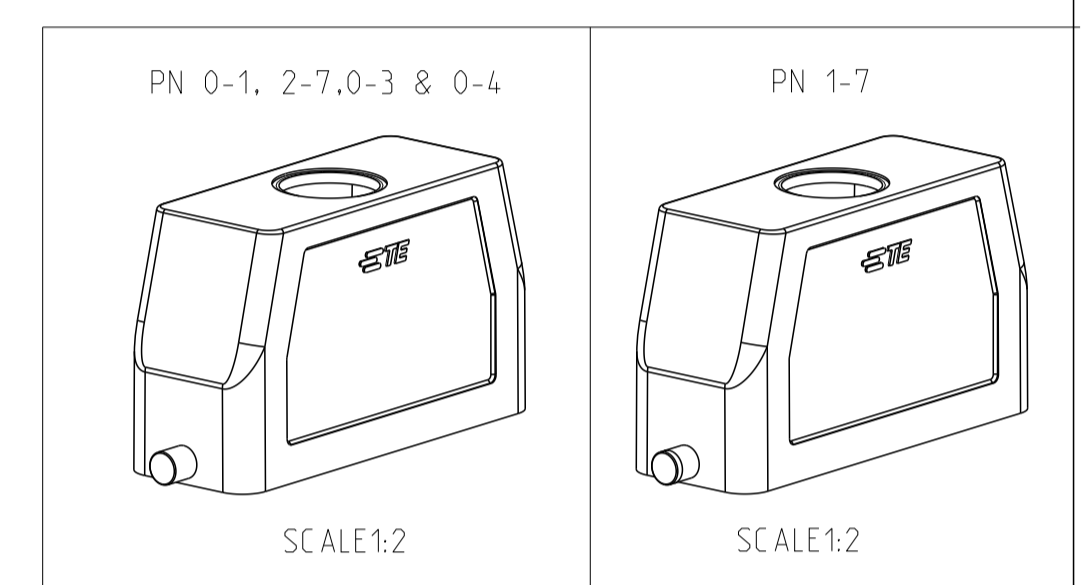


REVISIONS				
P.	LTM	DESCRIPTION	DATE	DMN APVD
A6		Released as per ECR-07-019955	22.08.07	SK TS
A7		REVISED PER ECR-16-016768	19AUG2017	AP MKO
A8		REVISED PER ECR-17-013084	08JAN2018	NC MKO

- NOTES.
- Material:Housing:Aluminium Diecasting Alloy
 - Surface-Powder Varnish Grey
-Aluminium Oxide -
Varnish Black
 - Varnish on the inside not necessary



QTY	DESCRIPTION	MATERIAL	SURFACE	COLOR	ITEM NO	NOTES										
1	HB-K Hood	Aluminium	Aluminium Oxide	No varnish	10											
1	ZB-Central clip	Stainless Steel	Blank		9											
1	ZB-Central clip	Steel	Zinc Plated	Blue	8											
2	LB-Clip bolt	Stainless Steel	Blank		7											
2	LB-Clip bolt	Steel	Zinc Plated	Blue	6											
2	VS-Locking clip	Steel	Zinc Plated	Blue	5											
4	VS-Clip bolt	Stainless Steel	Blank		4											
1	HB Hood	Aluminium		No varnish	3											
1	HB-K Hood	Aluminium	Aluminium Oxide	Black	2											
1	HB Hood	Aluminium		Grey	1											
0-4	0-3	0-2	0-1	2-3	1-3	2-7	1-7	1-1	2-6	1-6	DESCRIPTION	MATERIAL	SURFACE	COLOR	ITEM NO	NOTES
											HB-24-STO-1.21.G					
											HB-K-24-STO-1.21.G					
											HB-24-STO-VS-1.21.G					
											HB-24-STO-GR-1.21.G					
											HB-K-24-STO-GR-1.21.G					
											HB-Z-24-STO-ZB-1.21.G					
											HB-K-24-STO-ZB-1.21.G					
											HB-24-STO-GR-1.21.G					
											HB-24-STO-Z-21.G					
											HB-K-24-STO-GR-1.21.G					
											HB-K-24-ST-GR					

THIS DRAWING IS A CONTROLLED DOCUMENT. DMN Schneider 08.05.2001
 CH4 Schneider 08.05.2001

TE Connectivity

NAME: Hood
 HB-24 STO 1.21.G

PRODUCT SPEC: 108-74003
 APPLICATION SPEC: 116-74004

SIZE: A1
 CAGE CODE: 1997
 DRAWING NO: C=1102325

RESTRICTED TO: A8

CUSTOMER DRAWING SCALE: 1:1 SHEET 1 OF 1 REV: A8