

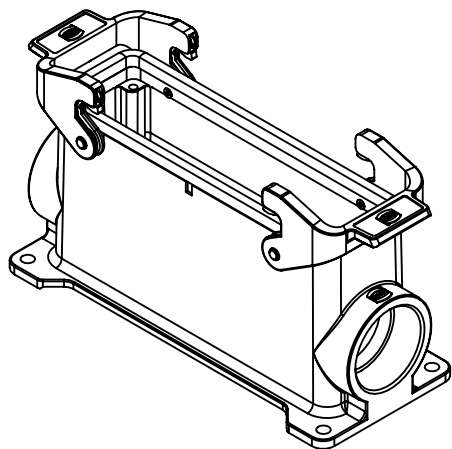
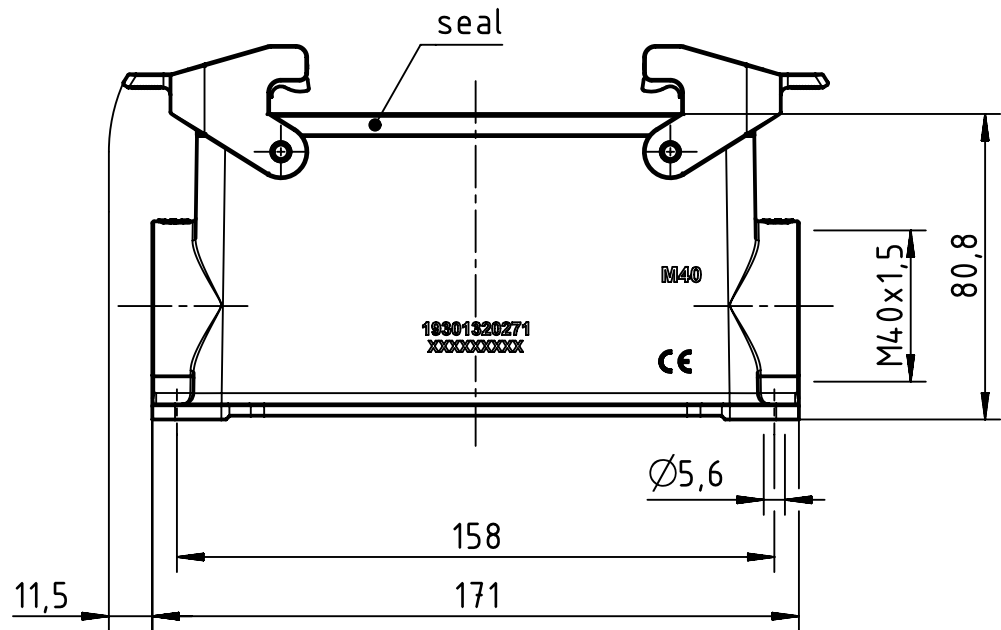
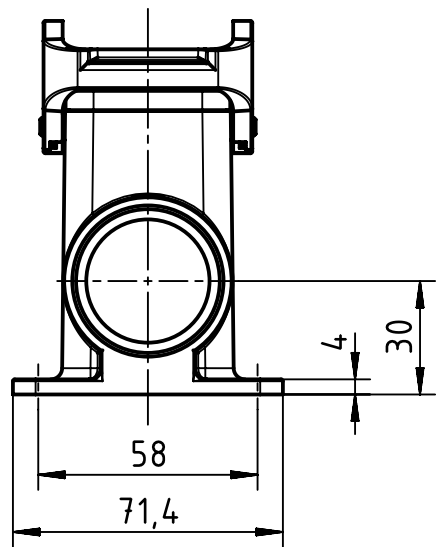
1 2 3 4 5 6

A

B

C

D



	All Dimensions in mm Original Size DIN A4		Scale 1:2	Free size tol.		Ref.
						Sub.
	All rights reserved		Created by HUK	Inspected by WANGSTE	Standardisation TIEMANNA	Date 2020-10-13
	Department EL PD					State Final Release
HARTING Electric GmbH & Co. KG D-32339 Espelkamp			Title Han L32 B HSM1 DL M40			Doc-Key / ECM-Nr. 100835418/UGD/001/A 500000179734
			Type TB	Number 19 30 132 0271		Rev. A Page 1/1