

Contact insert set - VC-TR2/3M-PEA-S666-SET - 1607202

Please be informed that the data shown in this PDF Document is generated from our Online Catalog. Please find the complete data in the user's documentation. Our General Terms of Use for Downloads are valid (<http://phoenixcontact.com/download>)




Contact insert set for sleeve side, sleeve frame with PE, 4 fixing screws, 6-pos. contact inserts preassembled, 6 coding profiles

Your advantages

- Compact design
- Universal connection
- Proven COMBICON technology
- Can be keyed to prevent incorrect connection

Key Commercial Data

| | |
|--------------|---|
| Packing unit | 5 pc |
| GTIN |  4 017918 940966 |
| GTIN | 4017918940966 |

Technical data

General

| | |
|---------------------------------------|--|
| Connection technology | Screw connection |
| Connection method | Screw connection |
| Tightening torque | 0.22 Nm ... 0.25 Nm |
| Degree of pollution | 3 |
| Number of positions | 17+PE |
| Insertion/withdrawal cycles | ≥ 100 |
| Size | VC2 |
| Conductor cross section solid min. | 0.14 mm ² |
| Conductor cross section solid max. | 1.5 mm ² |
| Conductor cross section flexible min. | 0.14 mm ² |
| Conductor cross section flexible max. | 0.75 mm ² |
| Conductor cross section | 0.14 mm ² ... 1.5 mm ² |

Contact insert set - VC-TR2/3M-PEA-S666-SET - 1607202

Technical data

Ambient conditions

| | |
|---------------------------------|-------------------|
| Ambient temperature (operation) | -40 °C ... 100 °C |
|---------------------------------|-------------------|

Material data

| | |
|--------------------------|------------|
| Housing material | PA |
| Contact material | CuZn |
| Contact surface material | Tin-plated |
| Contact carrier material | PA |

Electrical characteristics

| | |
|-----------------------|-------|
| Rated voltage (III/3) | 250 V |
| Nominal voltage U_N | 250 V |
| Rated surge voltage | 4 kV |
| | 4 kV |
| Rated current | 10 A |
| | 10 A |
| Nominal current I_N | 10 A |

Standards and Regulations

| | |
|--|----|
| Flammability rating according to UL 94 | V0 |
|--|----|

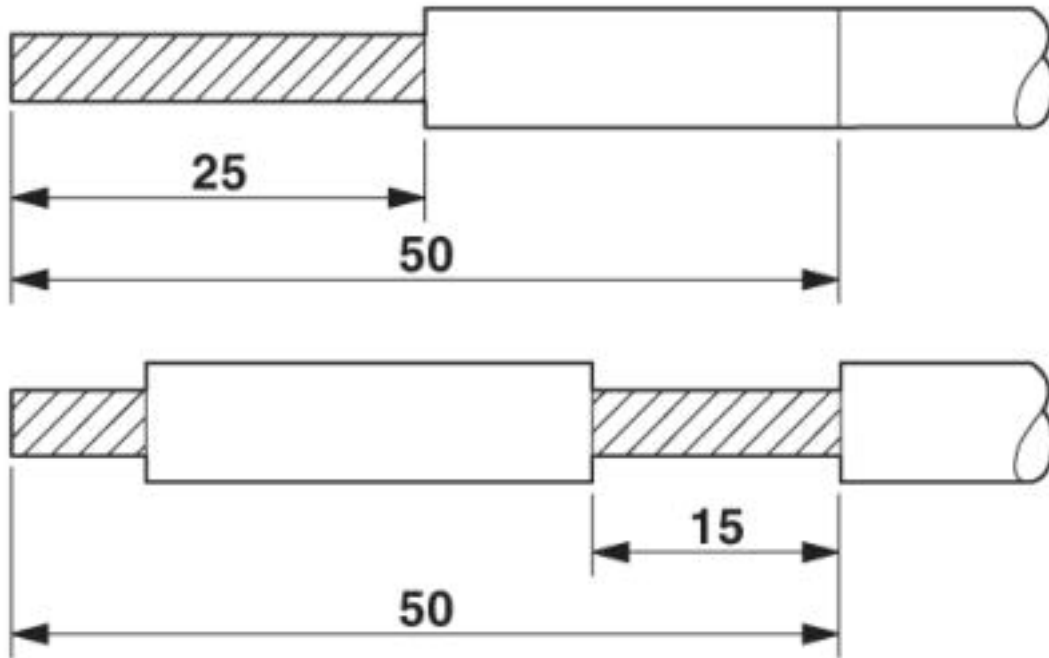
Environmental Product Compliance

| | |
|------------|---|
| | Lead 7439-92-1 |
| China RoHS | Environmentally Friendly Use Period = 50 |
| | For details about hazardous substances go to tab "Downloads", Category "Manufacturer's declaration" |

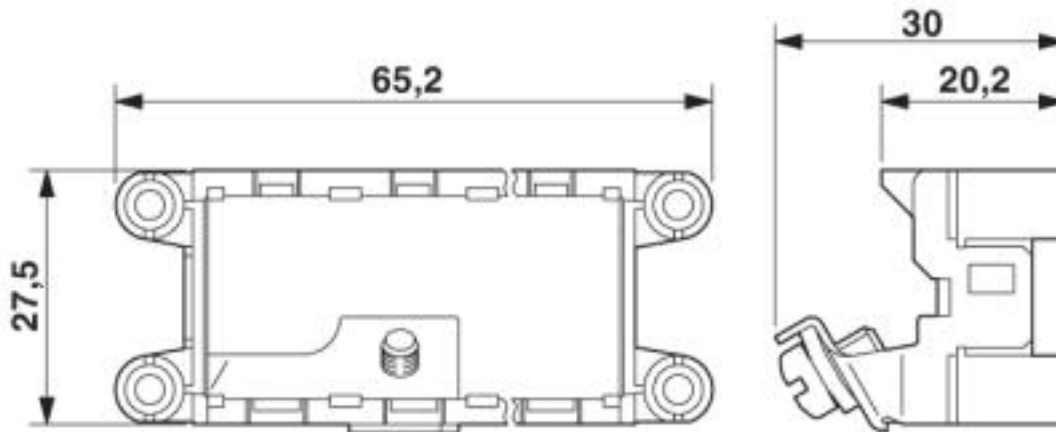
Drawings

Contact insert set - VC-TR2/3M-PEA-S666-SET - 1607202

Functional drawing



Dimensional drawing



Approvals

Approvals

Approvals


EAC

Ex Approvals

Contact insert set - VC-TR2/3M-PEA-S666-SET - 1607202

Approvals

Approval details

| | | |
|-----|---|---------|
| EAC |  | B.01742 |
|-----|---|---------|

Phoenix Contact 2019 © - all rights reserved
<http://www.phoenixcontact.com>

PHOENIX CONTACT GmbH & Co. KG
Flachsmarktstr. 8
32825 Blomberg
Germany
Tel. +49 5235 300
Fax +49 5235 3 41200
<http://www.phoenixcontact.com>